

# E119 Fire Resistive Frame Installation Instructions

## GENERAL NOTES

### HANDLING, STORING, AND PROTECTION

The material must be protected against damage. The following precautions are recommended to assure early acceptance of your products and workmanship.

- A. **HANDLE CAREFULLY** - Don't drop from the truck. Stack with adequate separation so material will not rub together. Store off ground. Protect against elements and other construction trades. Wear hand protection to prevent injury due to sharp edges of cut extrusions.
- B. **KEEP MATERIAL AWAY FROM WATER, MUD AND SPRAY** - Prevent cement, plaster, or other materials from damaging the finish.
- C. **PROTECT THE MATERIALS AFTER ERECTION** - Protect by wrapping with Kraft paper or by erecting Visqueen or canvas splatter screen. Cement, plaster, terrazzo, other alkaline solutions and acid based materials used to clean masonry are very harmful to the finish and should be removed with water and mild soap IMMEDIATELY.







### GENERAL INSTALLATION INSTRUCTIONS

The following practices are recommended for all installations:

- A. **CHECK SHOP DRAWINGS, INSTALLATION INSTRUCTIONS and GLAZING INSTRUCTIONS** to become thoroughly familiar with the project. The SHOP DRAWINGS take precedence and include specific details for the project. The INSTALLATION INSTRUCTIONS are of a general nature and cover most common conditions.
- B. All materials are to be **INSTALLED PLUMB, LEVEL, AND TRUE**.
- C. All work should start from bench marks and/or column lines as established by the ARCHITECTURAL DRAWINGS and the GENERAL CONTRACTOR. Check mullion spacing from both ends of masonry opening to prevent dimensional build-up of day light opening.
- D. Make certain that construction which will receive your materials is in accordance with the contract documents. If not, notify the GENERAL CONTRACTOR IN WRITING and resolve differences before proceeding with your work.
- E. Check all materials on arrival for quantity and be sure you have everything required to begin installation.
- F. Sealants must be compatible with all materials with which they have contact, including other sealant surfaces. Consult with sealant manufacturer for recommendations relative to joint size, shelf life, compatibility, priming, tooling, adhesion, etc.
- G. **FASTENING** - "Fastening" means any method of securing one part to another or to adjacent materials. These instructions specify only those fasteners used within the system. Due to varying perimeter conditions and job performance requirements, anchor fasteners are not specified in these instructions. For anchor fastening, refer to the Shop Drawings or consult the fastener supplier.
- H. **CHECK OPENINGS** - Make certain that the opening which will receive your materials is in accordance with the contract documents. If not, notify the General Contractor in writing and resolve differences before proceeding with your work. The recommended clearance should be less than 1" around the perimeter of the VDS System framing and doors. Fill void/cavity with mineral wool/Rockwool and/or fire rated silicone between the frame and rough opening.
- I. **BUILDING CODES** - Glass and glazing codes governing the design and use of products vary widely. Vetrotech does not control the selection of product configurations, operating hardware, or glazing materials, and assumes no responsibility for these design considerations. It is the responsibility of the owner, specifier, architect, general contractor and the installer to make these selections in strict conformance with all applicable codes.
- J. **EXPANSION JOINTS** - Expansion joints and perimeter seals shown in these instructions and in the shop drawings are shown at normal size. Actual dimensions may vary due to perimeter conditions and/ or difference in metal temperature between the time of fabrication and time of installation. Any movement potential should be accounted for at the time of installation.

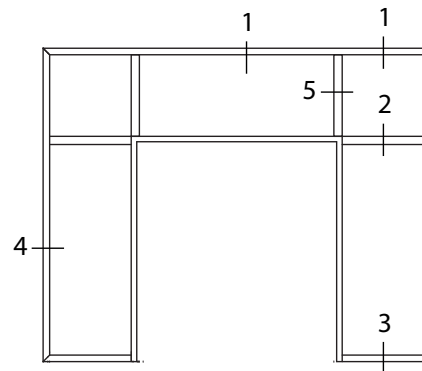
# Ceco E119 Fire Resistive Frame Installation Instructions

## PARTS IDENTIFICATION

<p><b>984003</b></p> 	<p>Glazing Tape - 3mm</p>
<p><b>984004</b></p> 	<p>Glazing Tape - 4mm</p>
<p><b>984005</b></p> 	<p>Glazing Tape - 5mm</p>
<p><b>984006</b></p> 	<p>Glazing Tape - 6mm</p>
<p><b>905316</b></p> 	<p>EPDM Glazing Tape - 4-6mm</p>
<p><b>K 10-24-0.5</b></p> 	<p>#10-24 x 1/2" Shear Block Fasteners</p>

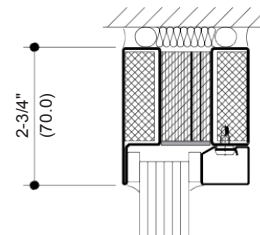
## BASIC FRAMING DETAILS

The E119 framing system is a fire resistive, interior glazed, framing system with fittings and accessories for both single and pairs of doors.

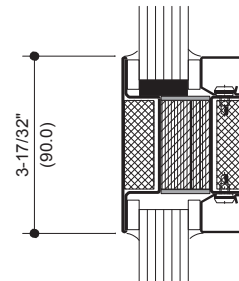


**ELEVATION IS NUMBERED KEYED TO DETAILS**

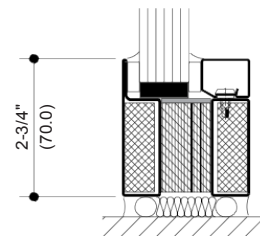
**1  
HEAD**



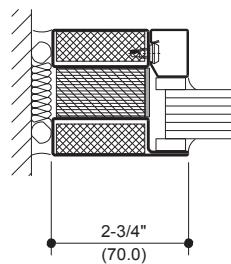
**2  
HORIZONTAL**



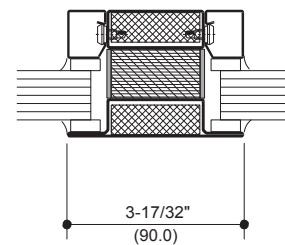
**3  
SILL**



**4  
JAMB**



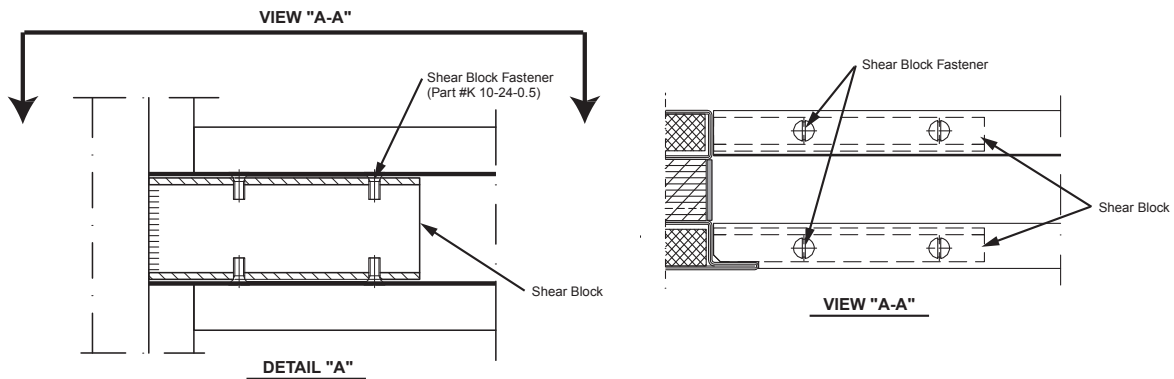
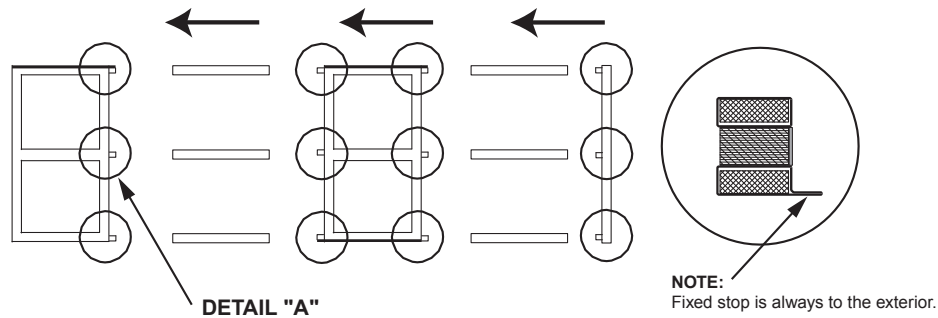
**5  
VERTICAL**



# Ceco E119 Fire Resistive Frame Installation Instructions

## FRAME ASSEMBLY

Modules will come assembled from the factory with pre-installed shear blocks (welded on) and pre-drilled attachment holes. Layout all modules before installing in the opening. Pay attention to the orientation of the components to ensure that all modules fit together. Fixed stop on frame should be facing to the exterior.



## PERIMETER ANCHORING

Attach first fabricated module to the substrate using the appropriate fasteners as shown on the shop drawings.

**NOTE:** The recommended clearance between the frame and rough/wall opening should be less than 1" around the perimeter. Fill void/cavity area with mineral wool/Rockwool and/or fire rated silicone between the frame and rough/wall opening.

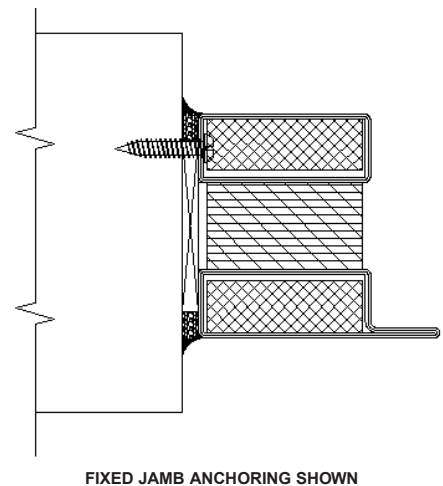
## INSTALLING MODULES INTO OPENING

When installing module into opening, position fixed fin on frame to the exterior of building. Level, shim and square the first pre-assembled module into the opening.

Install the second module onto the first by bringing the open tube over the pre-attached shear blocks. Pre-drilled and pre-threaded holes will match up.

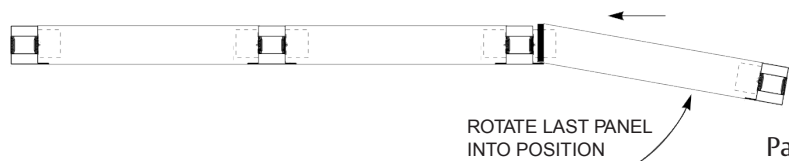
Insert supplied fasteners into each hole, tighten securely and flush with frame. Continue the process until the last module.

**NOTE:** The last module(s) may need to be placed without attachments to clear the opening on the jamb side.



## LAST MODULE NOTE

If the last module is less than 36" in width, a larger clearance will be required at the jamb, or you may pre-assemble it with the previous module and install as one unit.



# Ceco E119 Fire Resistive Frame Installation Instructions

## INSTALL INTERIOR GLAZING TAPE AND GLASS STOPS

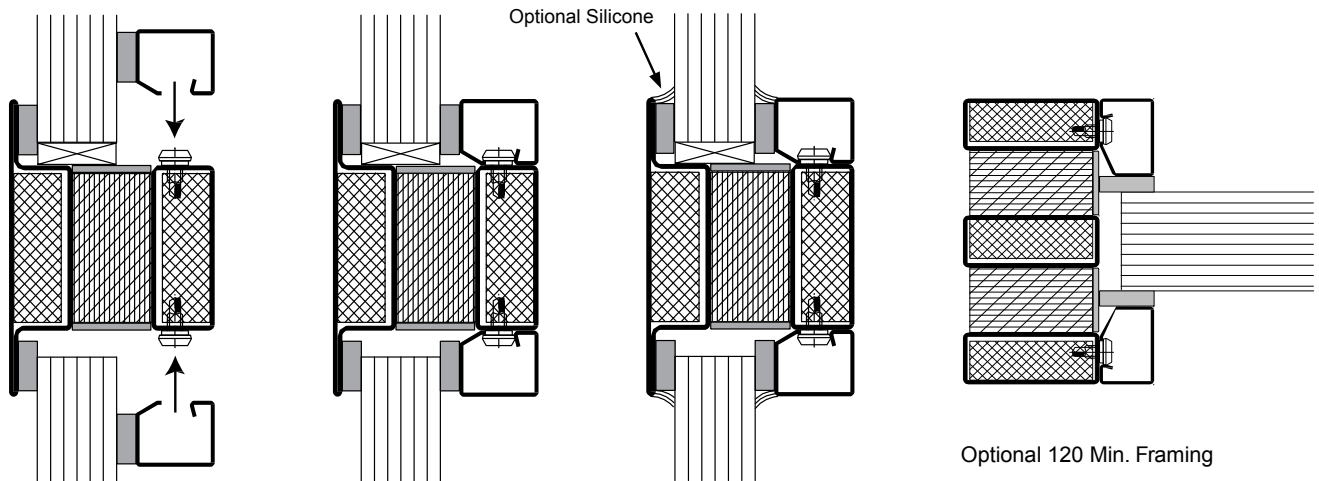
If using 984xxx glazing tape peel backing and apply to horizontal and vertical glass stops. Snap in the top glass stop over the pre-installed stud.

Snap in the bottom glass stop over the pre-installed stud.

Snap in the bottom glass stop over the pre-installed stud.

If using 905316 EPDM glazing tape, insert around perimeter mitering corners as desired for fit and finish. Silicone may be applied to back side to hold in place.

**NOTE:** Silicone may be applied over glazing tape for aesthetics.



**ASSA ABLOY**

Ceco Door  
9159 Telecom Drive • Milan, TN 38358  
Tel (888) 232-6366 • Fax (888) 232-6462  
archhelp@cecodoor.com  
www.cecodoor.com

ASSA ABLOY is the global leader in door opening solutions, dedicated to satisfying end-user needs for security, safety and convenience.

Ceco is a brand associated with AADG, Inc., an ASSA ABLOY Group company. Copyright © 2017, AADG, Inc. All rights reserved. Reproduction in whole or in part without the express written permission of AADG, Inc. is prohibited.