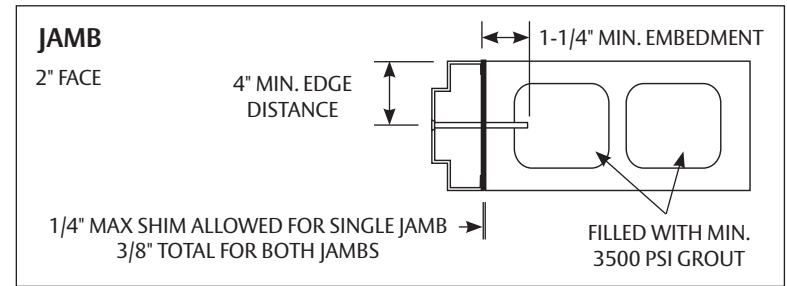
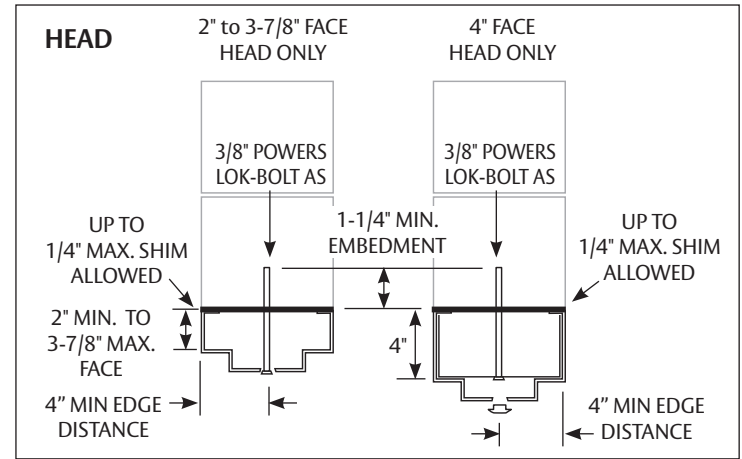
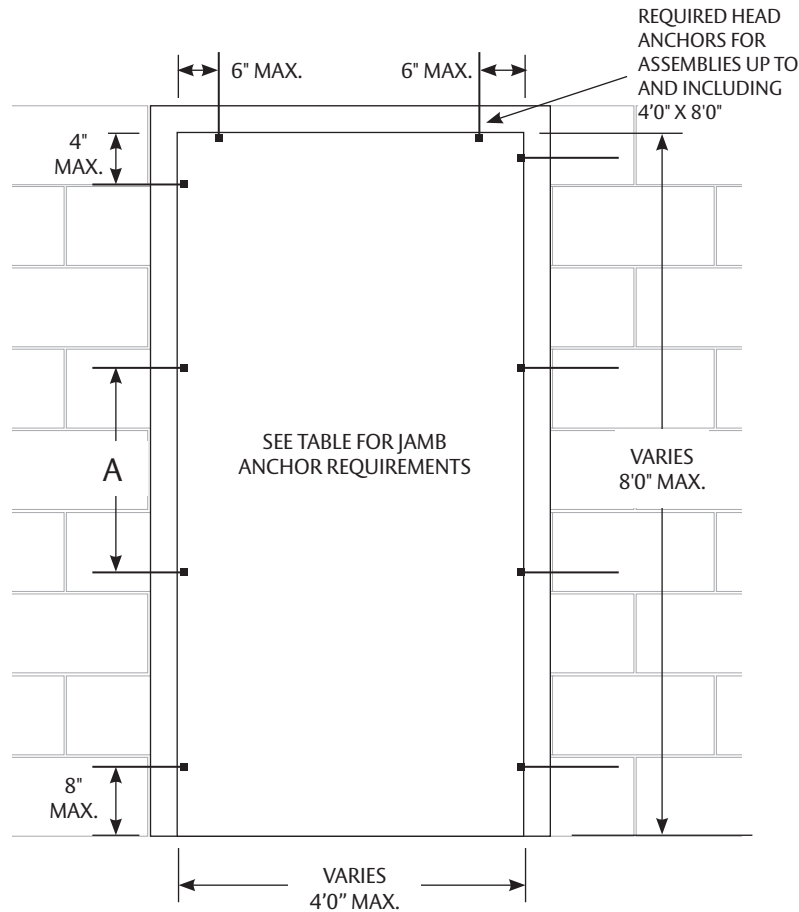


# StormPro 361 Assembly Anchoring - Single

Head Anchoring Method – Welded Pipe Spacer with 3/8" Powers Lok Bolt AS

Jamb Anchoring Method – Welded Pipe Spacer with 3/8" Powers Lok Bolt AS



OPENING SIZE	"A" DIMENSION	MIN. # OF JAMB ANCHORS
UP TO AND INCLUDING 3070	24" MAX. ON CENTER	4
OVER 3070 AND UP TO AND INCLUDING 4080	20" MAX. ON CENTER	5

Jamb anchor locations may vary provided that the spacing on either side of each jamb anchor does not exceed dimension "A" in table above, distance from bottom corners does not exceed 8", and distance from top corners does not exceed 4". Head anchors shall be provided as shown. Anchors may have up to 1/4" maximum load bearing shim.

*Signed and sealed anchor calculations available upon request.*



**ASSA ABLOY**

ASSA ABLOY, the global leader in door opening solutions

JOB NO.

PROJECT

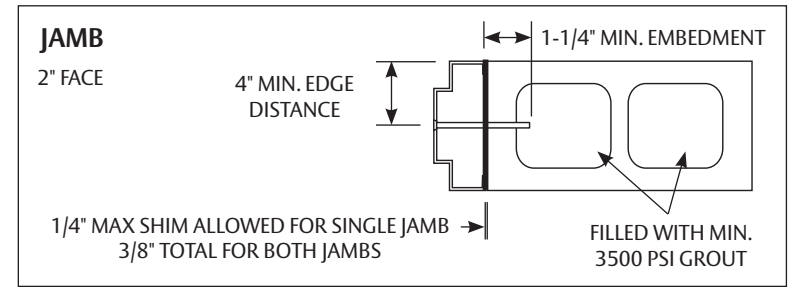
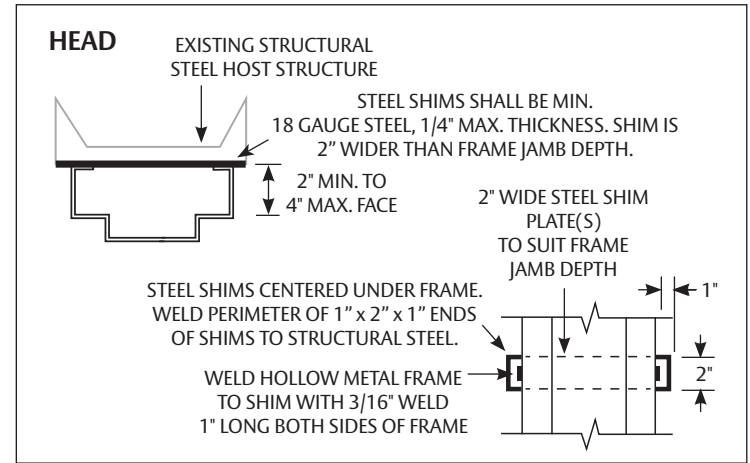
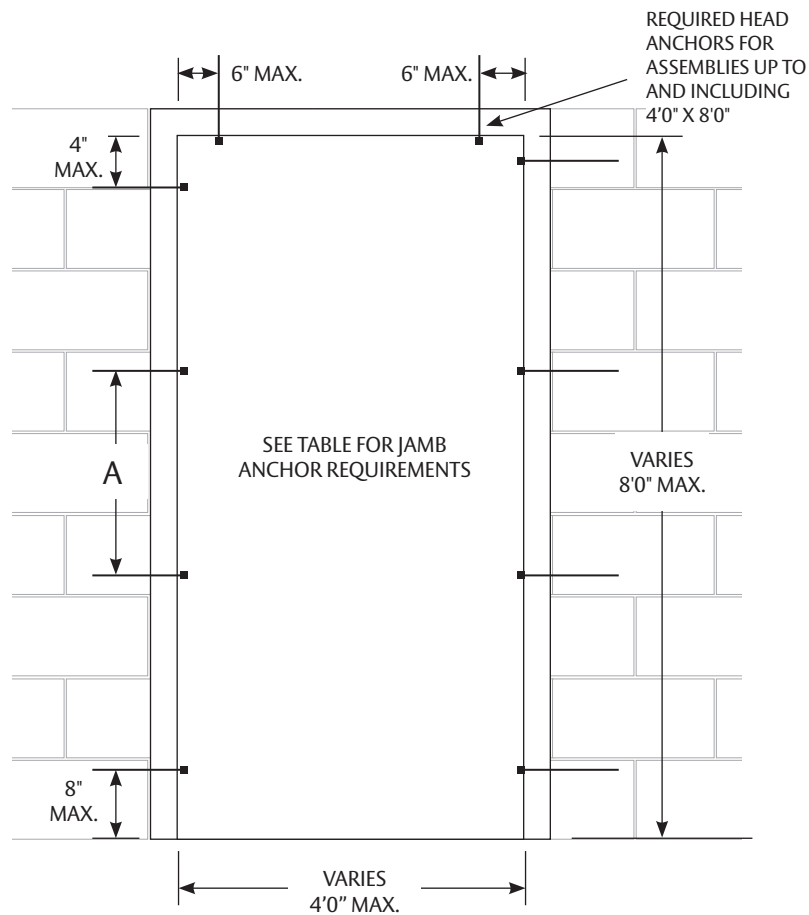
LOCATION

SHEET NO. OF

# StormPro 361 Assembly Anchoring - Single

Head Anchoring Method – Welded to the Building Structure

Jamb Anchoring Method – Welded Pipe Spacer with 3/8" Powers Lok Bolt AS



OPENING SIZE	"A" DIMENSION	MIN. # OF JAMB ANCHORS
UP TO AND INCLUDING 3070	24" MAX. ON CENTER	4
OVER 3070 AND UP TO AND INCLUDING 4080	20" MAX. ON CENTER	5

Jamb anchor locations may vary provided that the spacing on either side of each jamb anchor does not exceed dimension "A" in table above, distance from bottom corners does not exceed 8", and distance from top corners does not exceed 4". Head anchors shall be provided as shown. Anchors may have up to 1/4" maximum load bearing shim.

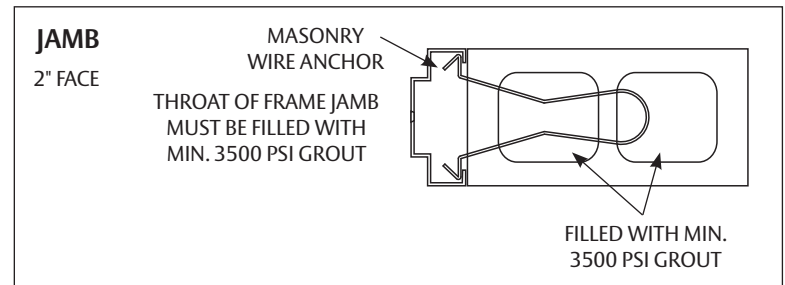
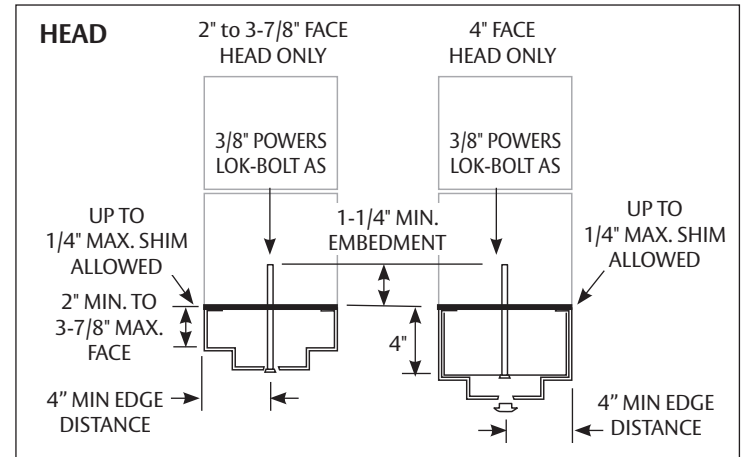
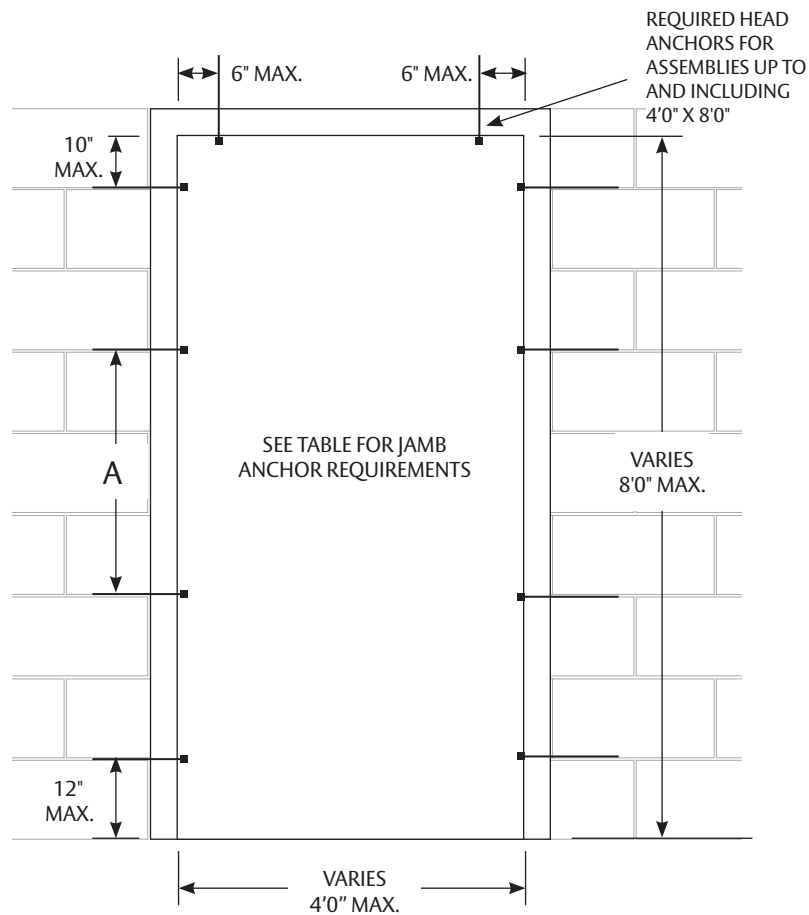
Signed and sealed anchor calculations available upon request.

<p>ASSA ABLOY, the global leader in door opening solutions</p>	JOB NO.	PROJECT	SHEET NO. OF
		LOCATION	

# StormPro 361 Assembly Anchoring - Single

Head Anchoring Method – Welded Pipe Spacer with 3/8" Powers Lok Bolt AS

Jamb Anchoring Method – Masonry Wire Anchors



OPENING SIZE	"A" DIMENSION	MIN. # OF JAMB ANCHORS
UP TO AND INCLUDING 3070	24" MAX. ON CENTER	4
OVER 3070 AND UP TO AND INCLUDING 4080	24" MAX. ON CENTER	5

Jamb anchor locations may vary provided that the spacing on either side of each jamb anchor does not exceed dimension "A" in table above, distance from bottom corners does not exceed 12", and distance from top corners does not exceed 10". Head anchors shall be provided as shown. Anchors may have up to 1/4" maximum load bearing shim.

*Signed and sealed anchor calculations available upon request.*



**ASSA ABLOY**

ASSA ABLOY, the global leader in door opening solutions

JOB NO.

PROJECT

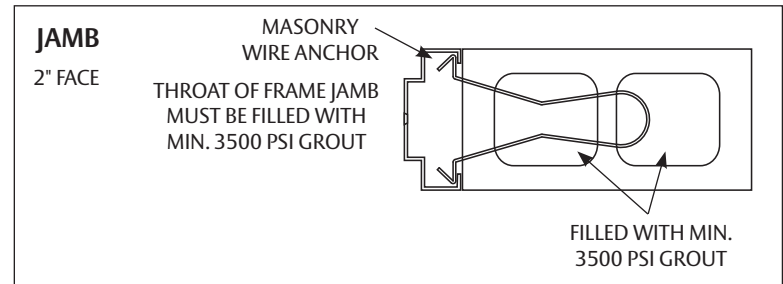
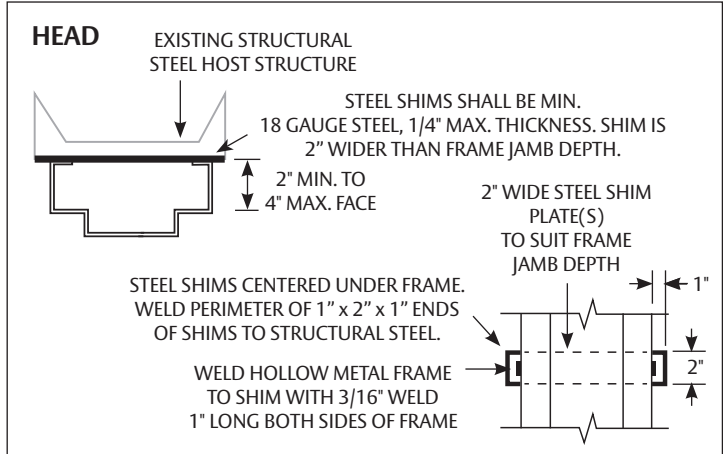
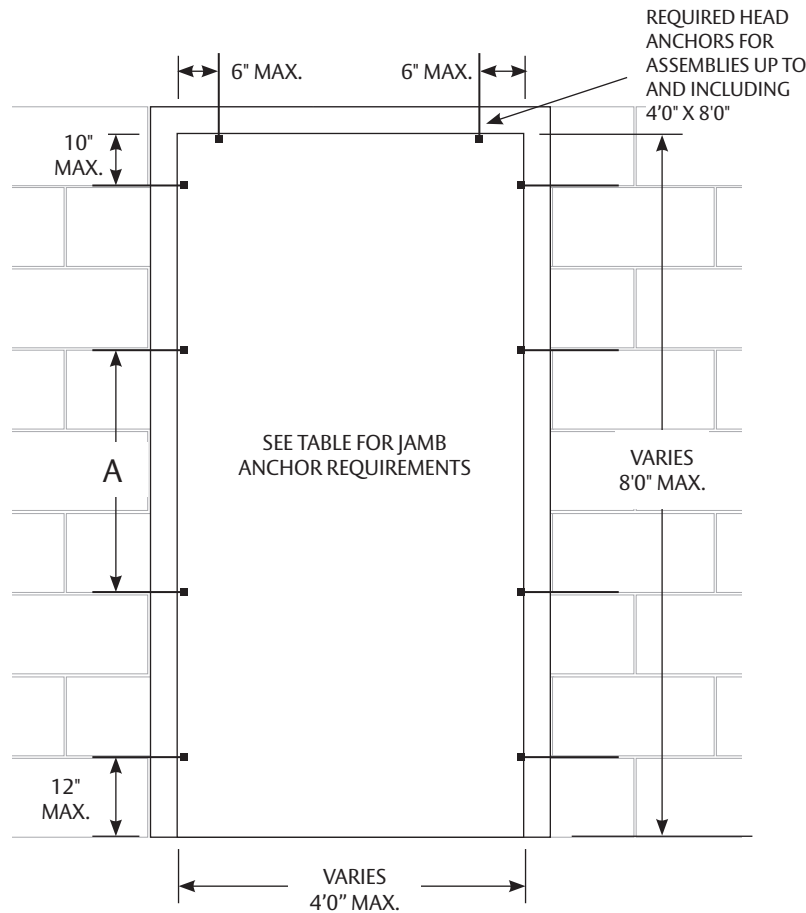
SHEET NO. OF

LOCATION

# StormPro 361 Assembly Anchoring - Single

Head Anchoring Method – Welded to the Building Structure

Jamb Anchoring Method – Masonry Wire Anchors



OPENING SIZE	"A" DIMENSION	MIN. # OF JAMB ANCHORS
UP TO AND INCLUDING 3070	24" MAX. ON CENTER	4
OVER 3070 AND UP TO AND INCLUDING 4080	24" MAX. ON CENTER	5

Jamb anchor locations may vary provided that the spacing on either side of each jamb anchor does not exceed dimension "A" in table above, distance from bottom corners does not exceed 12", and distance from top corners does not exceed 10". Head anchors shall be provided as shown. Anchors may have up to 1/4" maximum load bearing shim.

*Signed and sealed anchor calculations available upon request.*

**Ceco Door**

**ASSA ABLOY**

ASSA ABLOY, the global leader in door opening solutions

JOB NO.

PROJECT

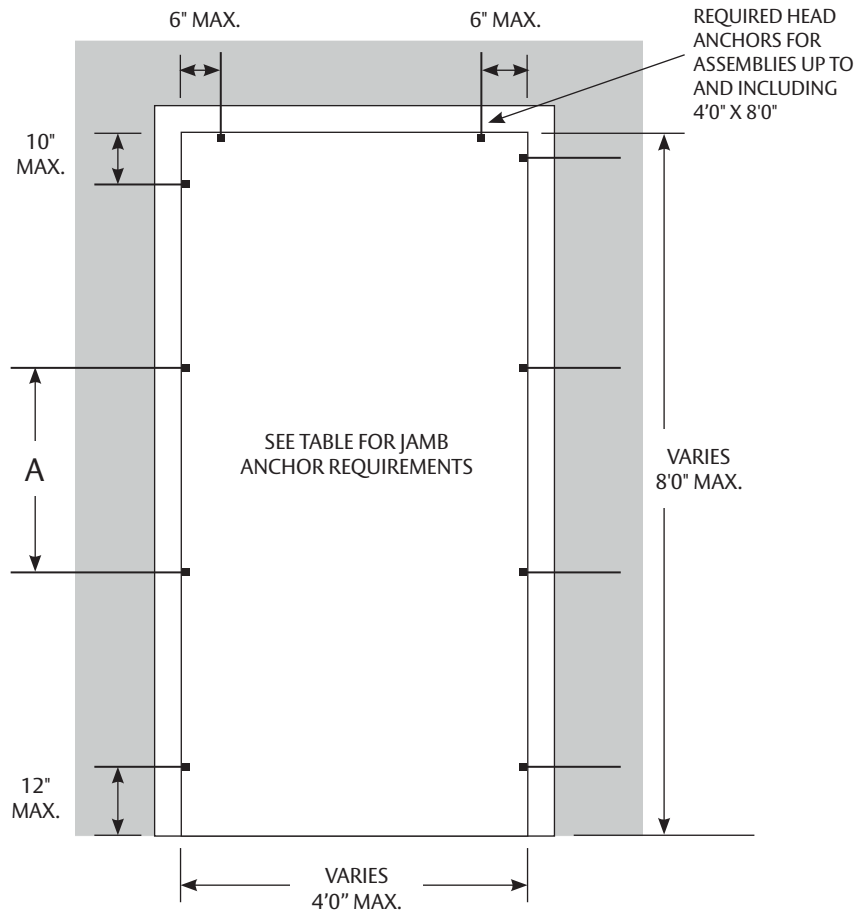
SHEET NO. OF

LOCATION

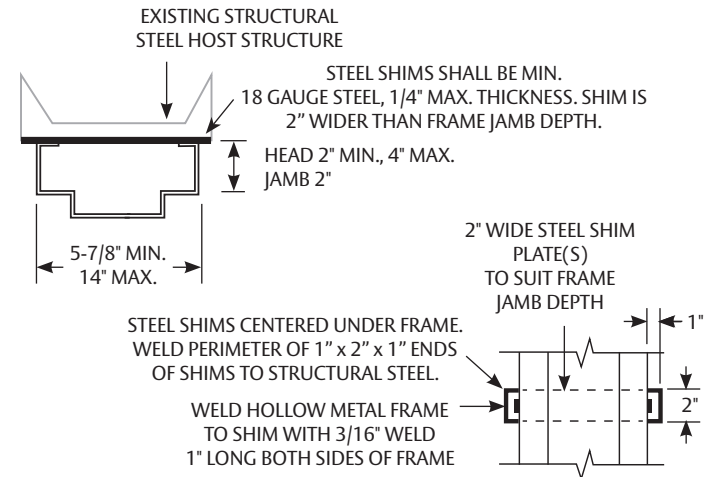
# StormPro 361 Assembly Anchoring - Single

Head Anchoring Method – Welded to the Building Structure

Jamb Anchoring Method – Welded to the Building Structure



## HEAD and JAMB



OPENING SIZE	"A" DIMENSION	MIN. # OF JAMB ANCHORS
UP TO AND INCLUDING 3070	24" MAX. ON CENTER	4
OVER 3070 AND UP TO AND INCLUDING 4080	24" MAX. ON CENTER	5

Jamb anchor locations may vary provided that the spacing on either side of each jamb anchor does not exceed dimension "A" in table above, distance from bottom corners does not exceed 12", and distance from top corners does not exceed 10". Head anchors shall be provided as shown. Anchors may have up to 1/4" maximum load bearing shim.

*Signed and sealed anchor calculations available upon request.*

**Ceco Door**

**ASSA ABLOY**

ASSA ABLOY, the global leader  
in door opening solutions

JOB NO.

PROJECT

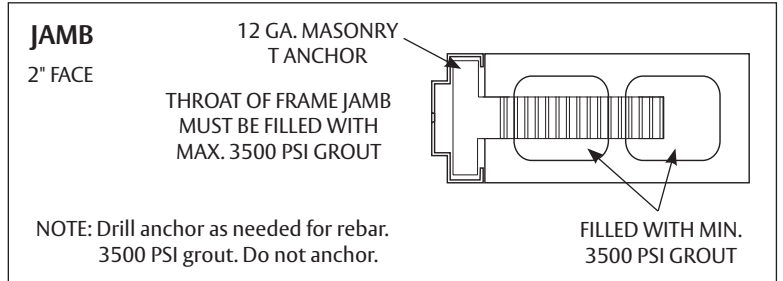
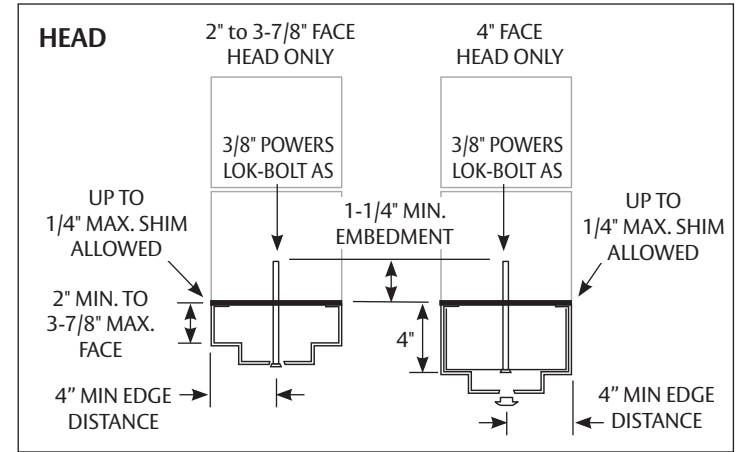
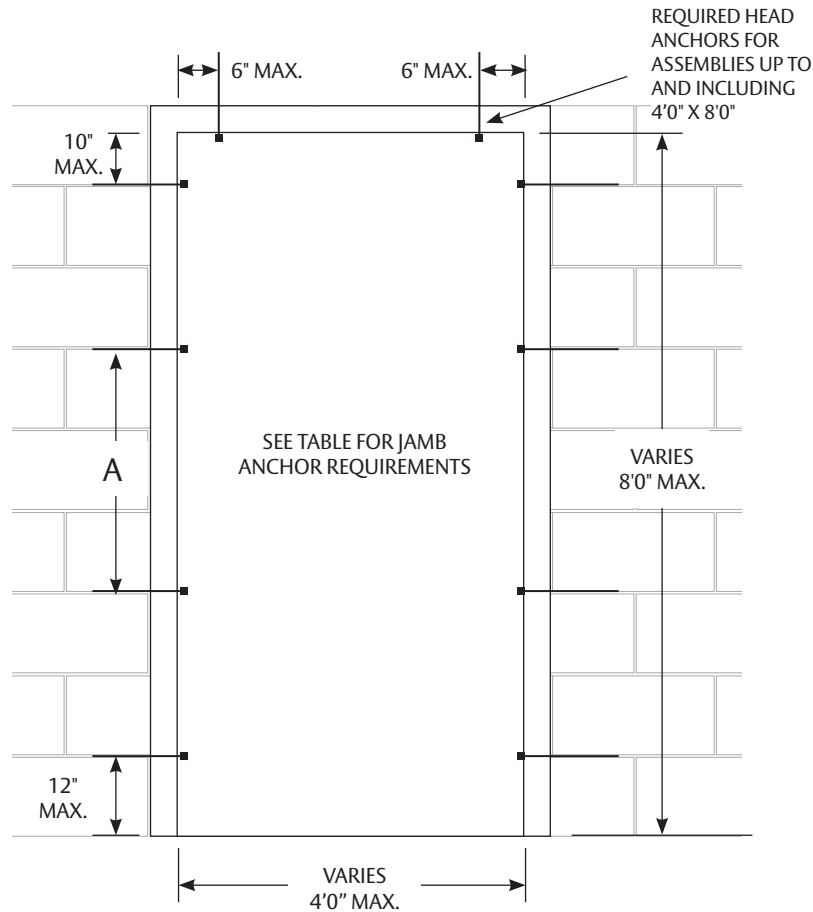
SHEET NO. OF

LOCATION

# StormPro 361 Assembly Anchoring - Single

Head Anchoring Method – Welded Pipe Spacer with 3/8" Powers Lok Bolt AS

Jamb Anchoring Method – 12 Ga. Masonry T Anchors



OPENING SIZE	"A" DIMENSION	MIN. # OF JAMB ANCHORS
UP TO AND INCLUDING 3070	24" MAX. ON CENTER	4
OVER 3070 AND UP TO AND INCLUDING 4080	24" MAX. ON CENTER	5

Jamb anchor locations may vary provided that the spacing on either side of each jamb anchor does not exceed dimension "A" in table above, distance from bottom corners does not exceed 12", and distance from top corners does not exceed 10". Head anchors shall be provided as shown. Anchors may have up to 1/4" maximum load bearing shim.

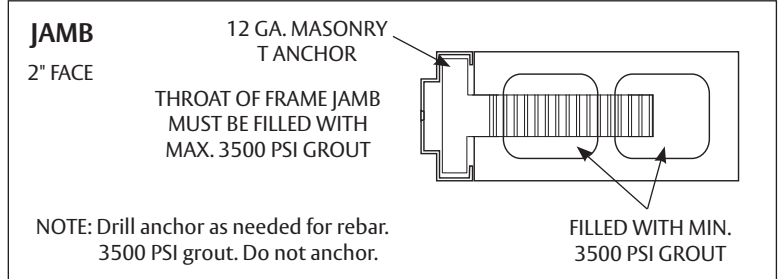
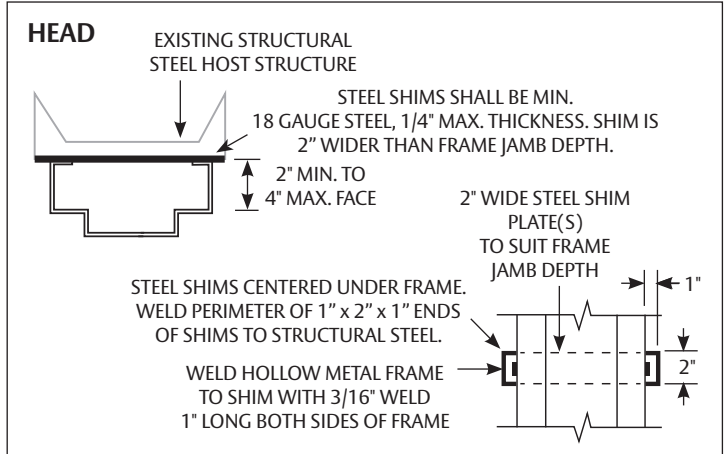
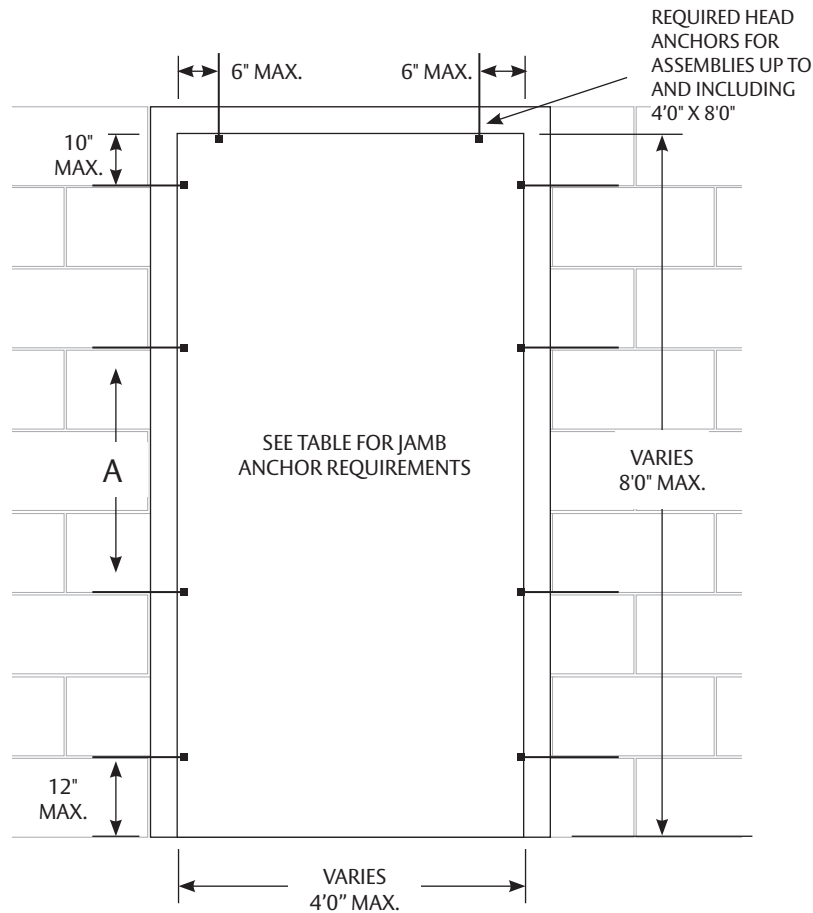
*Signed and sealed anchor calculations available upon request.*

<p>ASSA ABLOY, the global leader in door opening solutions</p>	JOB NO.	PROJECT	SHEET NO. OF
		LOCATION	

# StormPro 361 Assembly Anchoring - Single

Head Anchoring Method – Welded to the Building Structure

Jamb Anchoring Method – 12 Ga. Masonry T Anchors



OPENING SIZE	"A" DIMENSION	MIN. # OF JAMB ANCHORS
UP TO AND INCLUDING 3070	24" MAX. ON CENTER	4
OVER 3070 AND UP TO AND INCLUDING 4080	24" MAX. ON CENTER	5

Jamb anchor locations may vary provided that the spacing on either side of each jamb anchor does not exceed dimension "A" in table above, distance from bottom corners does not exceed 8", and distance from top corners does not exceed 6". Head anchors shall be provided as shown. Anchors may have up to 1/4" maximum load bearing shim.

*Signed and sealed anchor calculations available upon request.*

<p>ASSA ABLOY, the global leader in door opening solutions</p>	JOB NO.	PROJECT	SHEET NO. OF
		LOCATION	