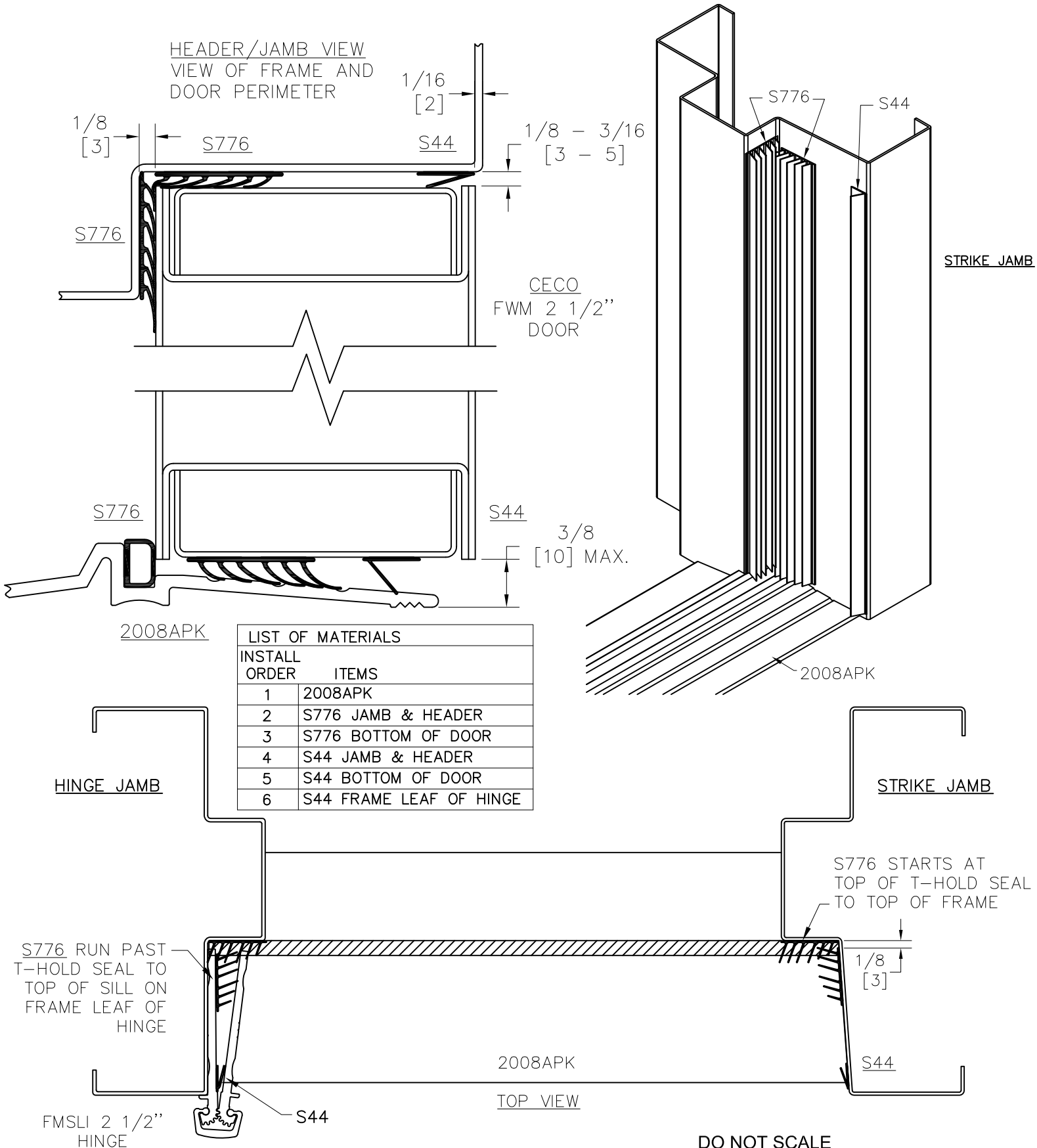


Effective Date: January 2015 rev.3

SOUND SEAL SYSTEM 7 - WITH 2 1/2" DOOR

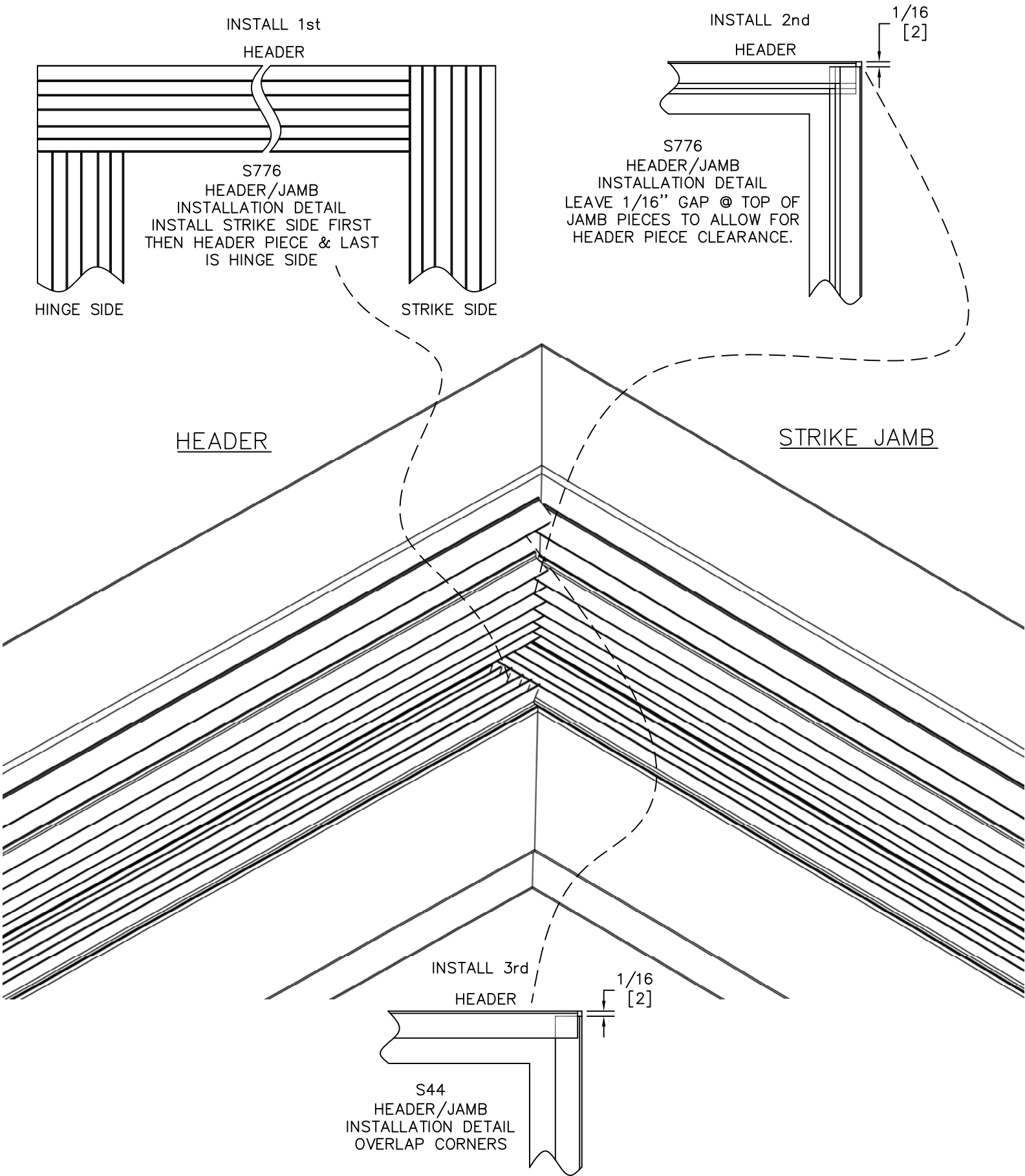
SYSTEM DETAIL OF AN ACOUSTICAL SEAL FOR CECO DOOR FWM 2 1/2" MODEL



Manufacturer reserves the right to make changes without formal notice. Contact Engineering for latest revision

CONTINUED ON BACK

SEAL INSTALLATION DIAGRAM (SOUND SEAL 7)



PEMKO Manufacturing Company

Manufacturer reserves the right to make changes without formal notice.