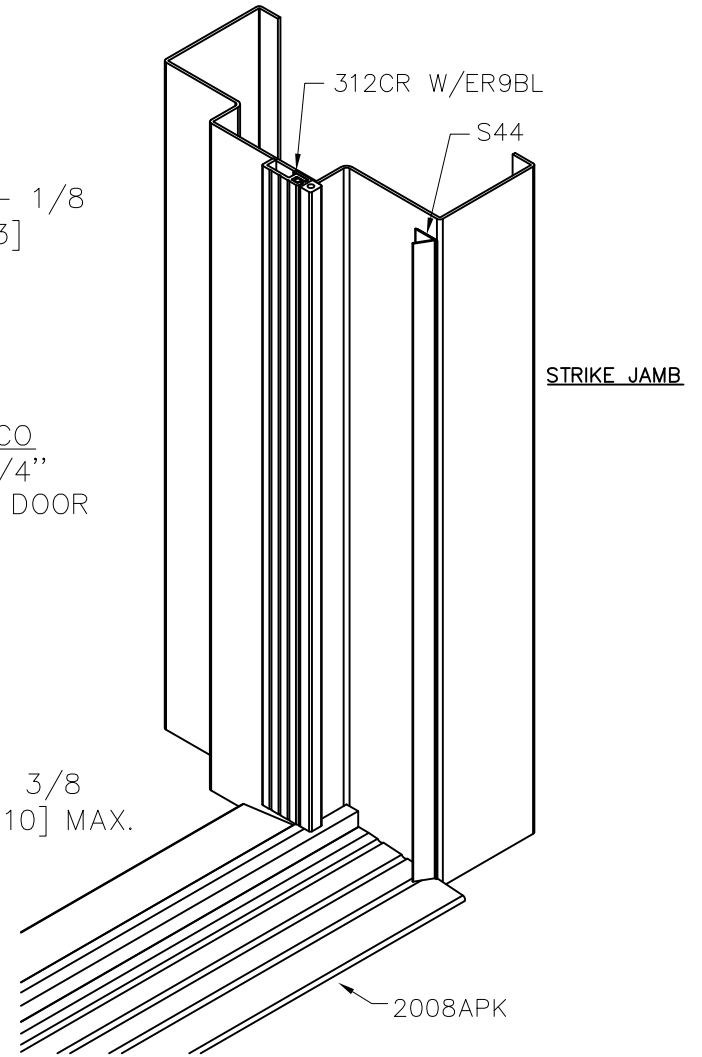
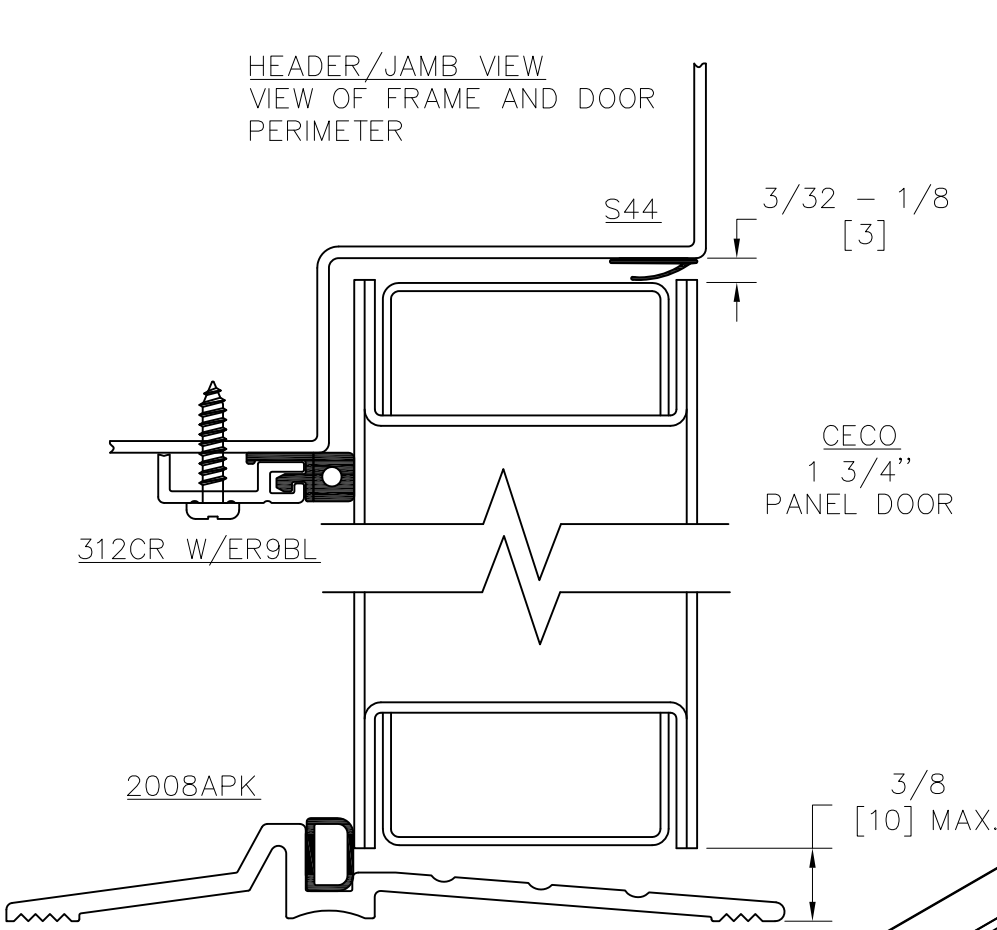


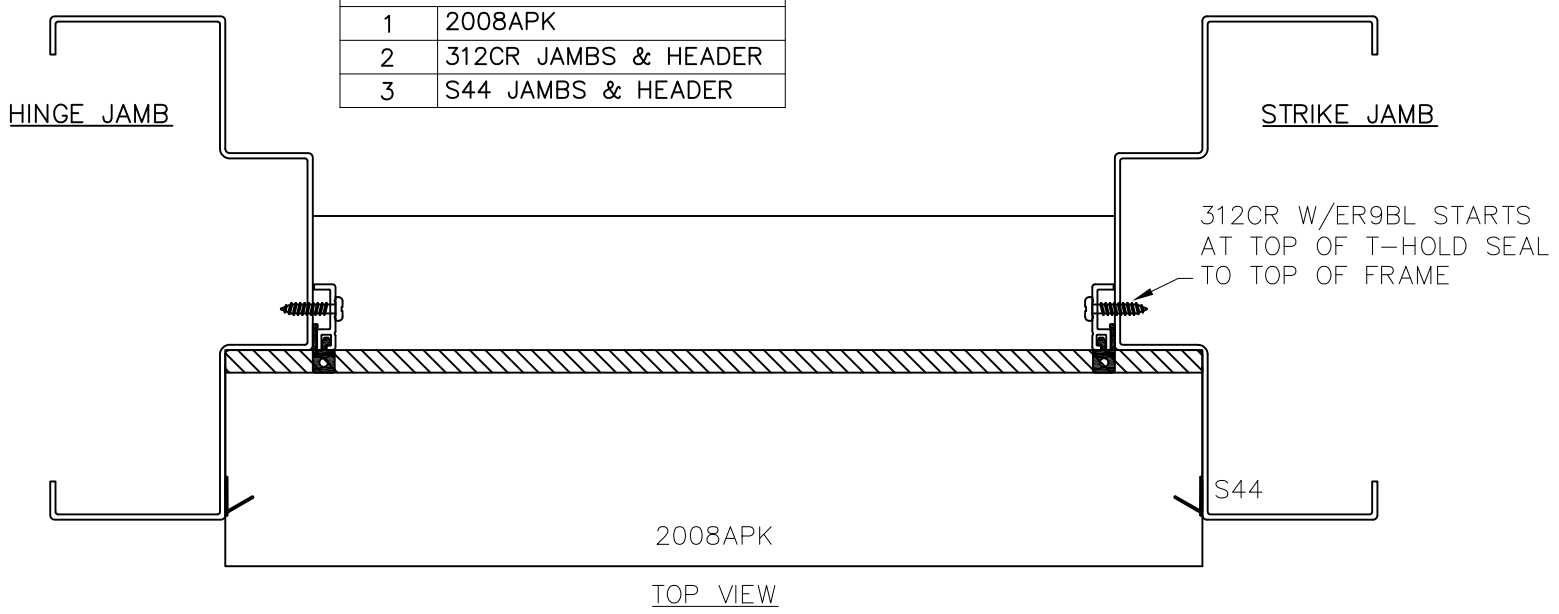
Effective Date: January 2015 rev.1

SOUND SEAL SYSTEM 2
SYSTEM DETAIL OF AN ACOUSTICAL SEAL FOR CECO

HEADER/JAMB VIEW
VIEW OF FRAME AND DOOR PERIMETER



LIST OF MATERIALS	
INSTALL ORDER	ITEMS
1	2008APK
2	312CR JAMBS & HEADER
3	S44 JAMBS & HEADER

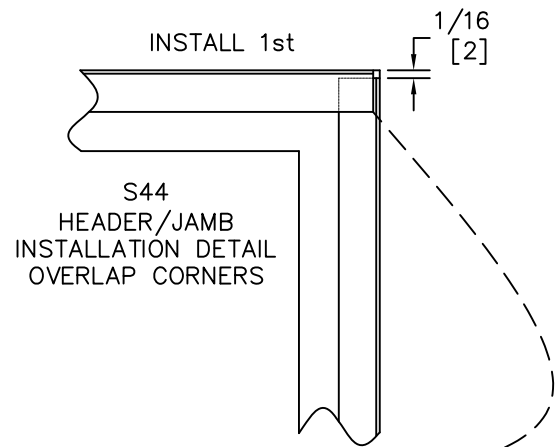
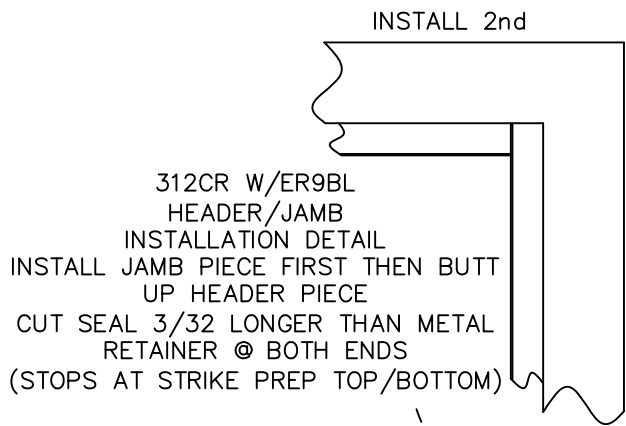


DO NOT SCALE

Manufacturer reserves the right to make changes without formal notice. Contact Engineering for latest revision

CONTINUED ON BACK

SEAL INSTALLATION DIAGRAM (SOUND SEAL SYSTEM 2)



HEADER

STRIKE JAMB

