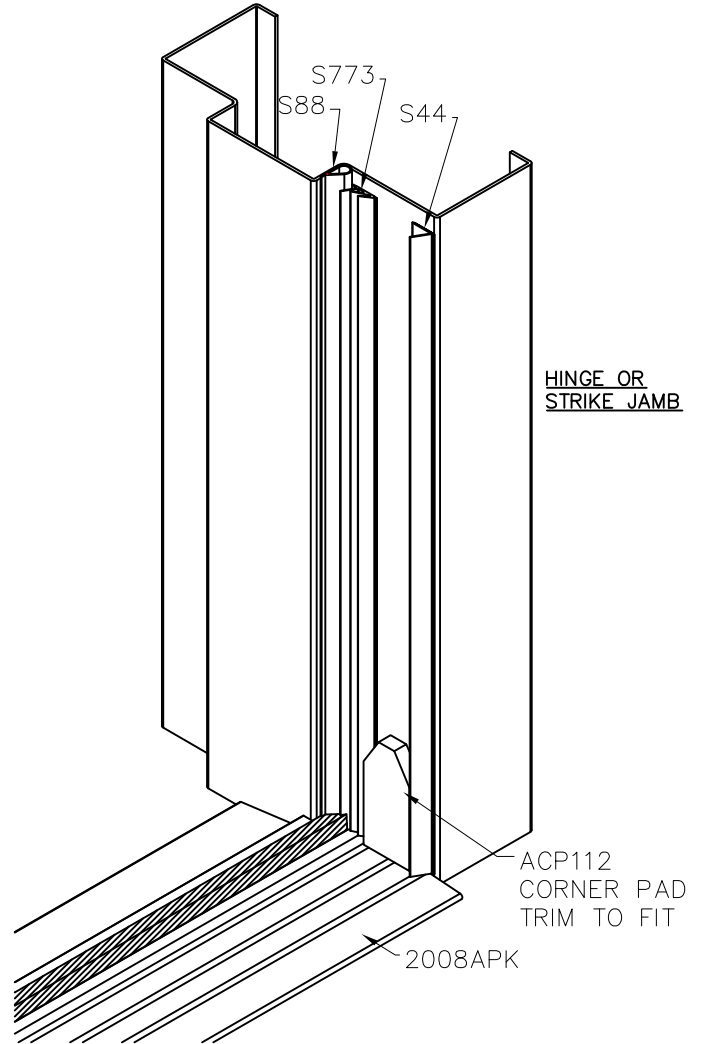
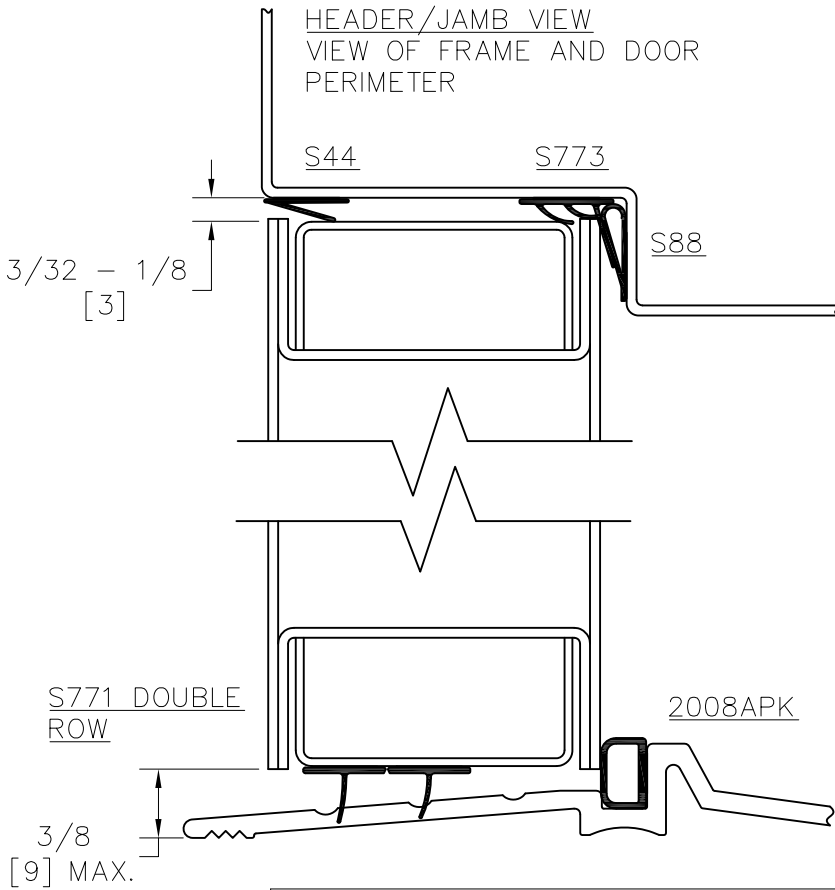


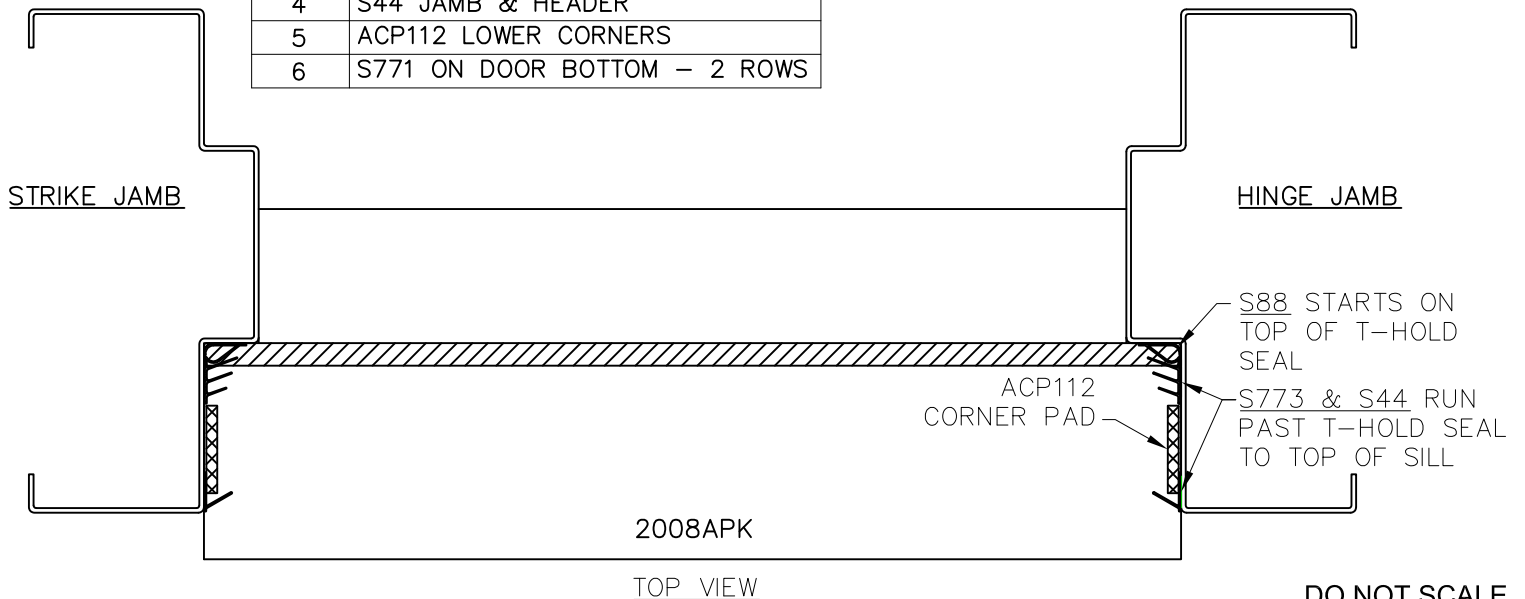
Effective Date: January 2015 rev.2

# SOUND SEAL SYSTEM 6

SYSTEM DETAIL OF AN ACOUSTICAL SEAL FOR DOOR & FRAME



LIST OF MATERIALS	
INSTALL ORDER	ITEMS
1	2008APK
2	S88 JAMB & HEADER
3	S773 JAMB & HEADER
4	S44 JAMB & HEADER
5	ACP112 LOWER CORNERS
6	S771 ON DOOR BOTTOM - 2 ROWS



**DO NOT SCALE**

Manufacturer reserves the right to make changes without formal notice. Contact Engineering for latest revision

CONTINUED ON BACK

# SEAL INSTALLATION DIAGRAM (SOUND SEAL SYSTEM 6)

