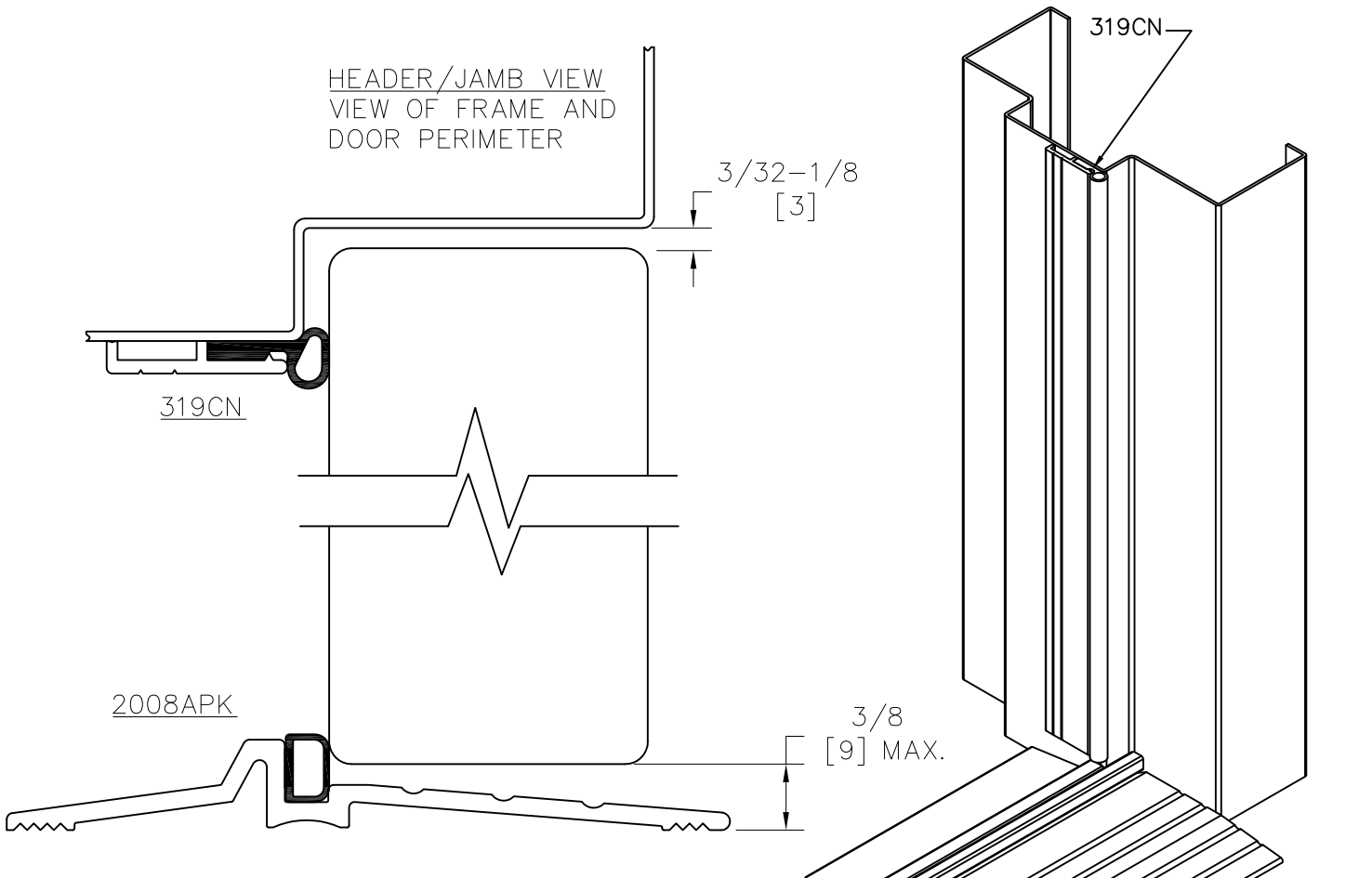


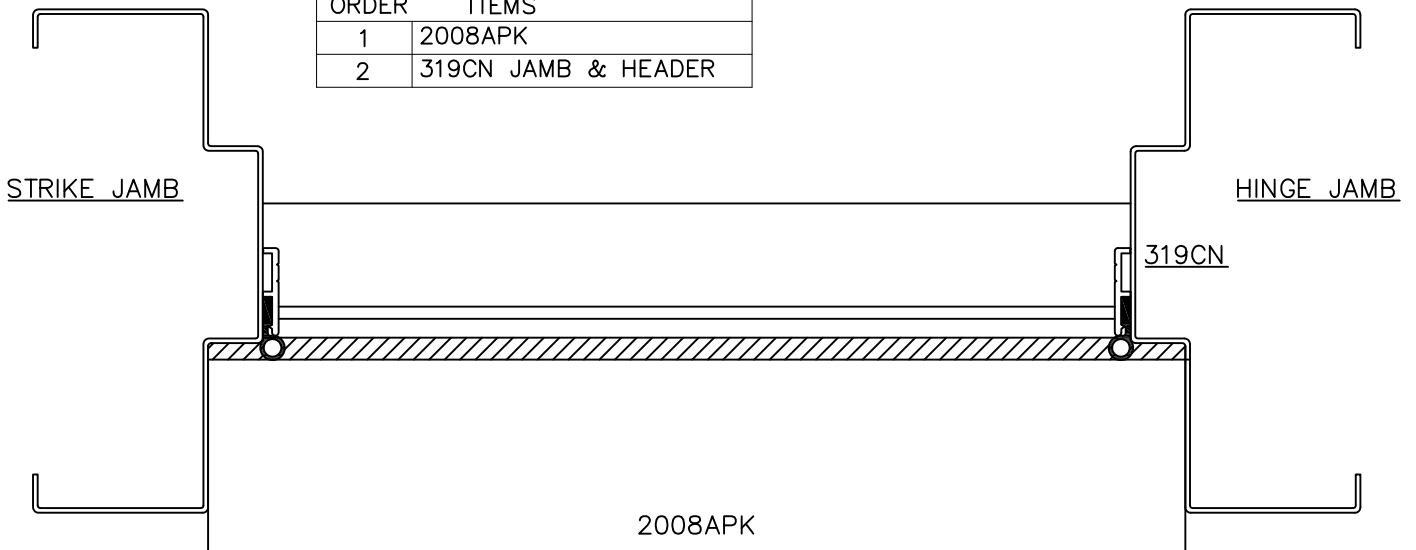
Effective Date: January 2015 rev.1

SOUND SEAL SYSTEM 15
SYSTEM DETAIL OF AN ACOUSTICAL SEAL FOR DOOR & FRAME

HEADER/JAMB VIEW
VIEW OF FRAME AND
DOOR PERIMETER



LIST OF MATERIALS	
INSTALL ORDER	ITEMS
1	2008APK
2	319CN JAMB & HEADER



TOP VIEW

DO NOT SCALE