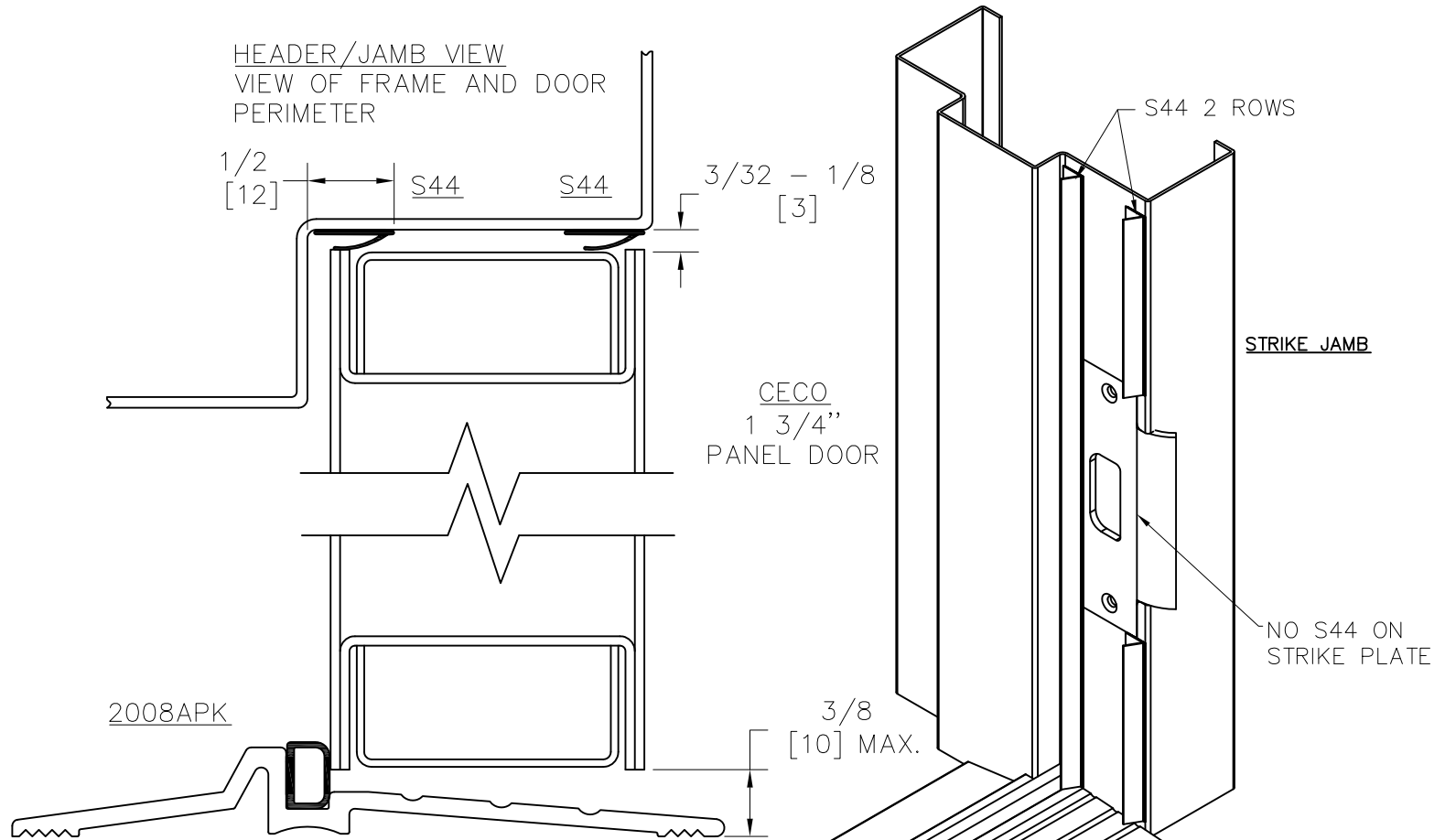
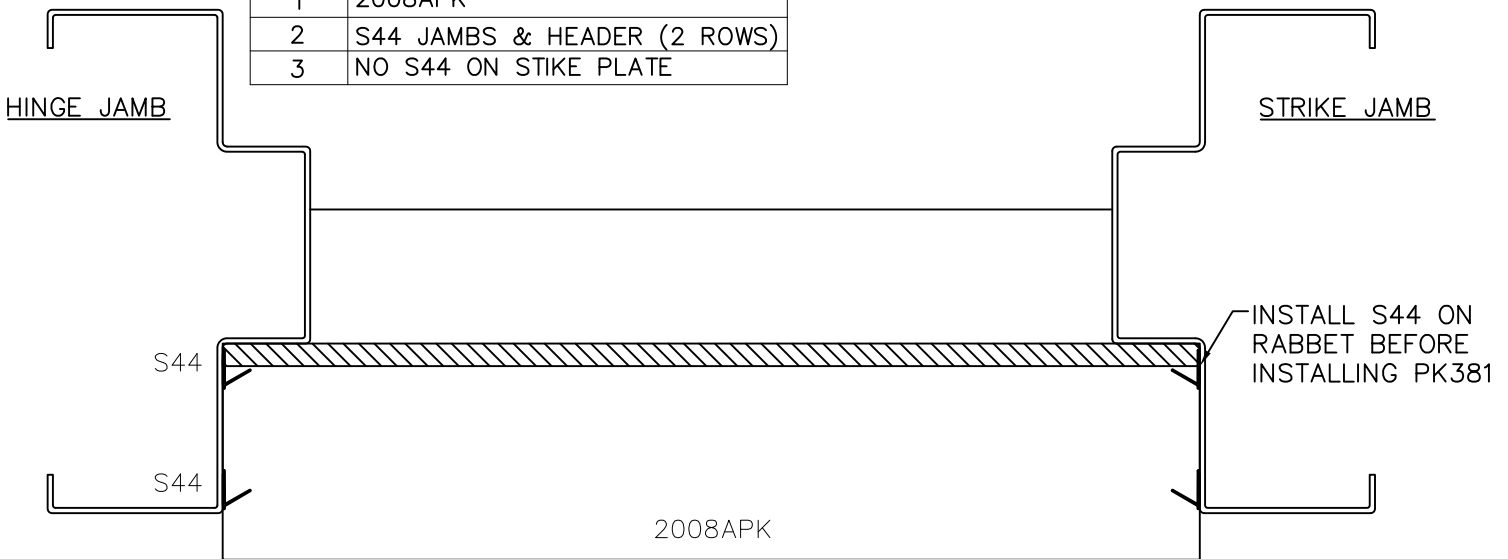


Effective Date: January 2015 rev.2

**SOUND SEAL SYSTEM 1**  
SYSTEM DETAIL OF AN ACOUSTICAL SEAL FOR CECO



LIST OF MATERIALS	
INSTALL ORDER	ITEMS
1	2008APK
2	S44 JAMBS & HEADER (2 ROWS)
3	NO S44 ON STIKE PLATE



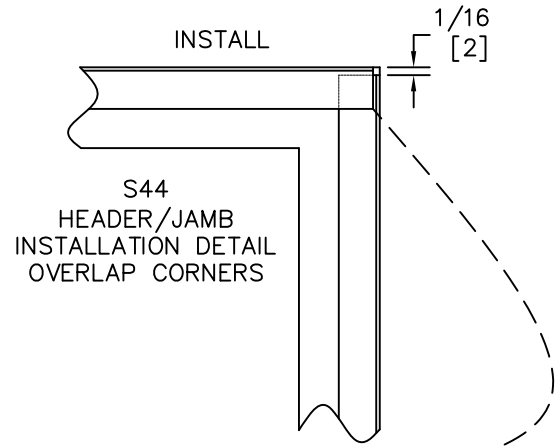
DO NOT SCALE

TOP VIEW

Manufacturer reserves the right to make changes without formal notice. Contact Engineering for latest revision

CONTINUED ON BACK

# SEAL INSTALLATION DIAGRAM (SOUND SEAL SYSTEM 1)



HEADER

STRIKE JAMB

