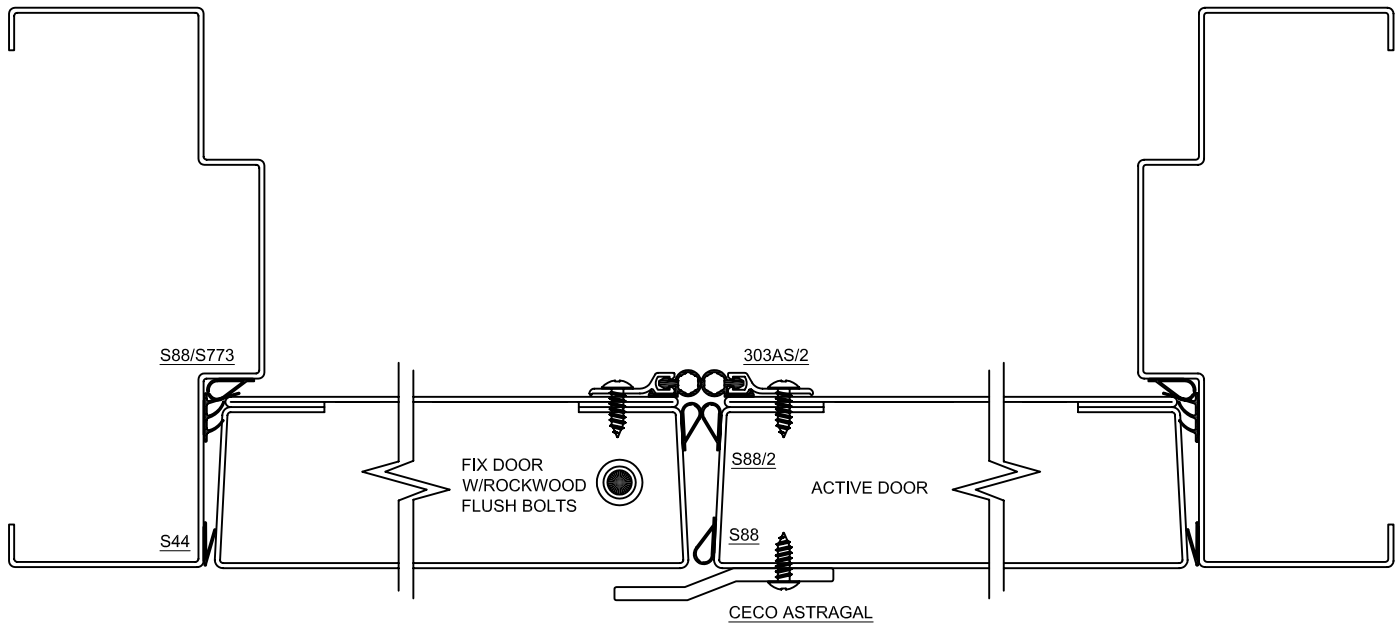


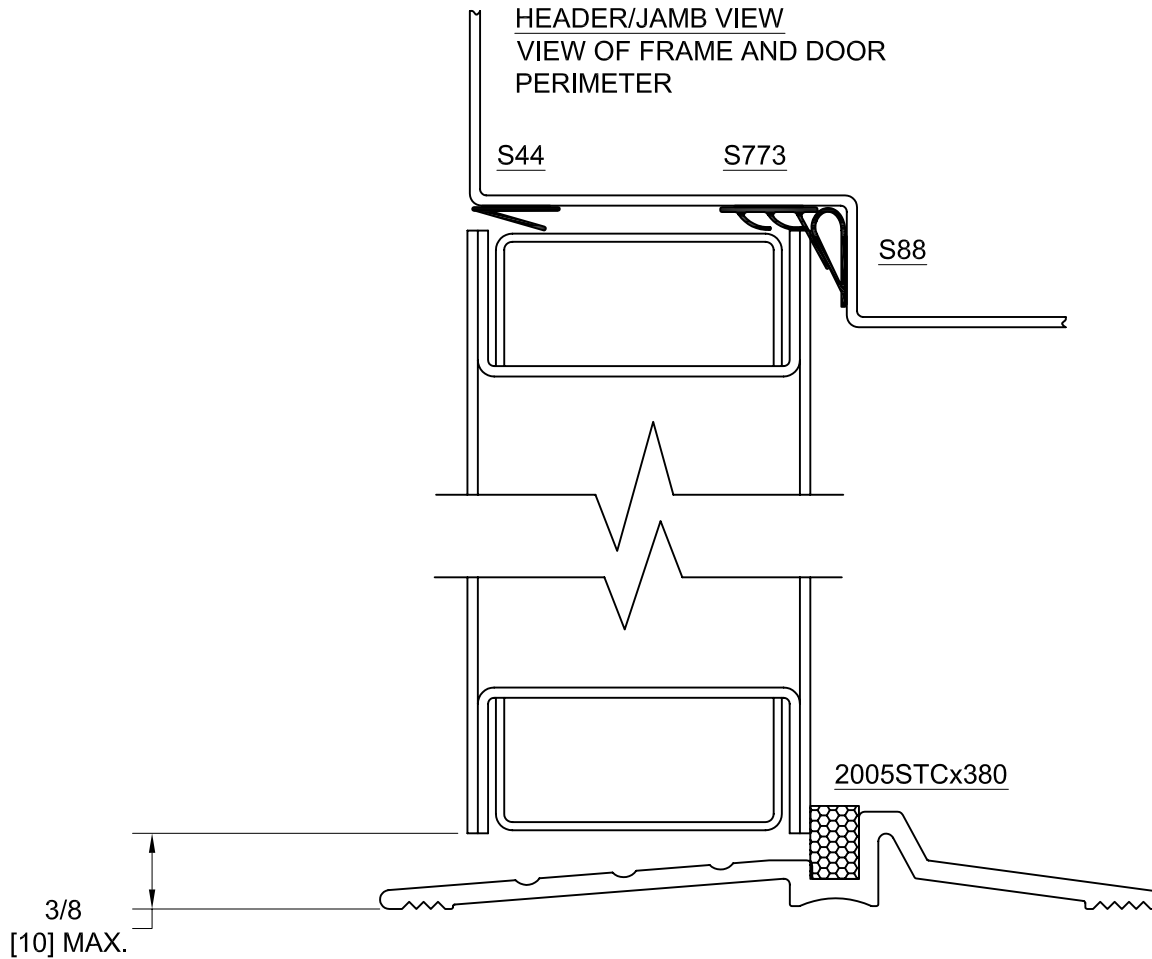
Effective Date: October 2010

SOUND SEAL SYSTEM 4 - ASTRAGAL (STC49)

SYSTEM DETAIL OF AN ACOUSTICAL SEAL FOR DOOR & FRAME WITH ASTRAGAL



HEADER/JAMB VIEW
VIEW OF FRAME AND DOOR
PERIMETER



DO NOT SCALE

Manufacturer reserves the right to make changes without formal notice. Contact Engineering for latest revision