

# SOUND DOOR FRAME INSTALLATION INSTRUCTIONS

## IMPORTANT READ BEFORE PROCEEDING

PROPER INSTALLATION OF THE DOOR, FRAME, THRESHOLD, AND SEALS ARE CRUCIAL TO ENSURE PROPER OPERATION AND ACHIEVE THE SPECIFIED STC RATING. FRAMES SHOULD BE MORTAR FILLED AND SET PLUMB AND SQUARE. USING A MORTAR WITHOUT AGGREGATE OR ROCK WILL MAKE DRILLING INTO THE FRAME EASIER. PROPER CLEARANCES BETWEEN DOOR AND HINGE JAMB ARE 3/32" AND 1/8" AT HEAD AND LOCK JAMB. THE PERIMETER SEALS SHOULD BE INSTALLED PRIOR TO INSTALLING HARDWARE THAT MOUNTS TO THE SOFFIT.

**NOTE:** FINISH COAT OF PAINT MUST BE COMPLETELY CURED BEFORE INSTALLING ANY SEALS.

 **CecoDoor**

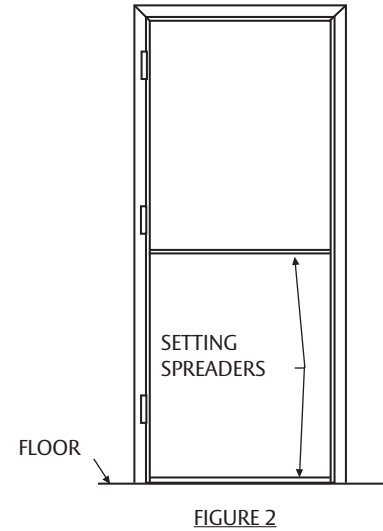
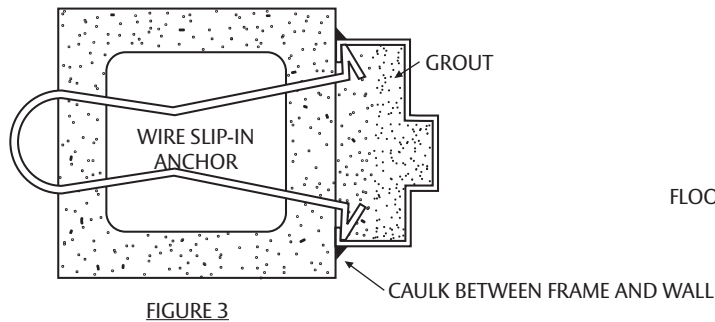
**ASSA ABLOY**

ASSA ABLOY, the global leader  
in door opening solutions

## Masonry Wire Anchor STC 40 and Above

---

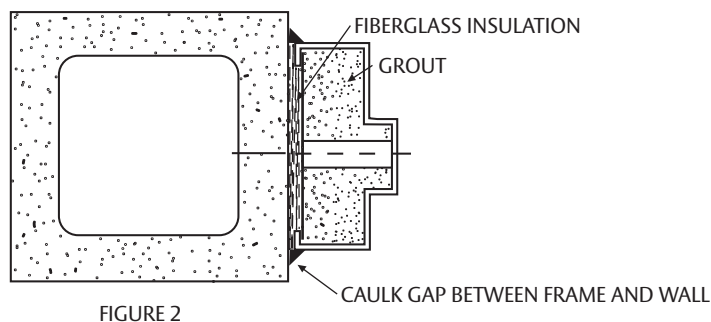
1. INSTALL MASONRY FRAME BY ANCHORING TO FLOOR WITH FOOT CLIPS (FIGURE 2).
2. FILL FRAME FULL WITH MORTAR WHILE BUILDING WALL (FIGURE 3).
3. CAULK BETWEEN FRAME AND WALL (FIGURE 3).



## Welded Pipe Spacer Existing Opening Anchor STC 40 and Above

---

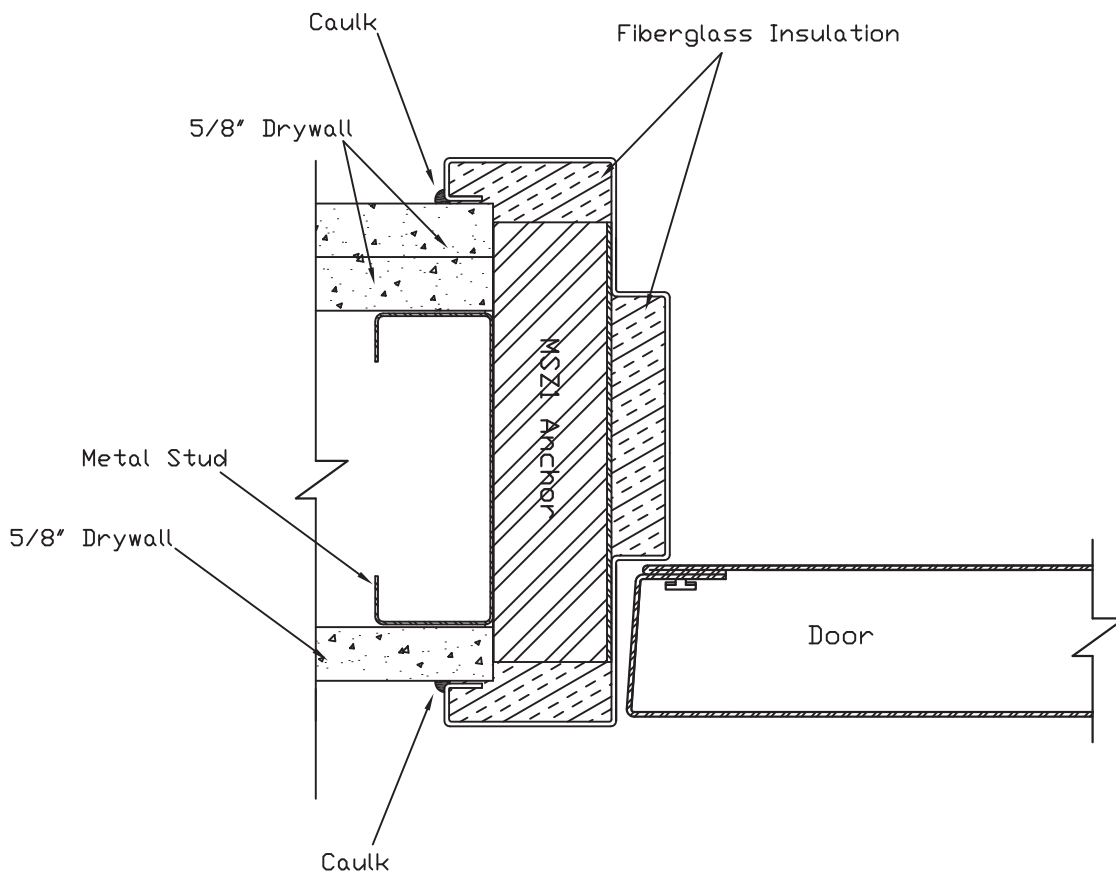
1. GROUT IN THE THROAT OF THE FRAME TO FULL DEPTH (BY OTHERS).
2. SLIDE FRAME INTO PLACE AND SECURE ANCHORS.
3. FILL ANY VOIDS BETWEEN FRAME AND WALL WITH 12 LB. DENSITY FIBERGLASS INSULATION (BY OTHERS).
4. CAULK BETWEEN FRAME AND WALL (FIGURE 2).



## Welded Stud Anchor STC 39 and Below\*

---

1. CUT R-13 FIBERGLASS TO APPROXIMATELY 1 INCH WIDER THE FRAME WIDTH.
2. FILL ALL VOIDS OF HEAD AND JAMB WITH R-13 FIBERGLASS INSULATION.
3. BEND ONE SIDE OF ANCHOR OUT TO CLEAR THE STUD WHEN INSTALLING FRAME.
4. SLIDE FRAME INTO PLACE AND SECURE ANCHORS.
5. SLIDE DRYWALL (1/2 INCH MINIMUM) PAST RETURN LEG OF FRAME.
6. CAULK BETWEEN FRAME AND WALL.



**NOTE:** FINISH COAT OF PAINT MUST BE COMPLETELY CURED BEFORE INSTALLING ANY SEALS.

\*ASSEMBLIES STC 40 AND ABOVE MUST BE GROUT FILLED