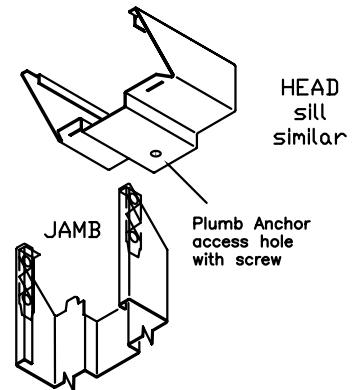
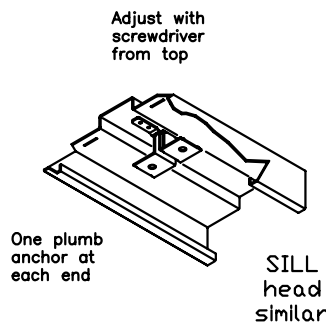
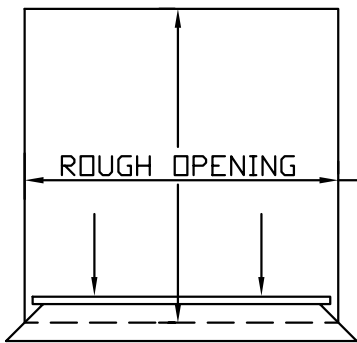


## INSTALLATION INSTRUCTIONS SLIP-ON DRYWALL BORROWED LITE FRAME ROUGH OPENING: ADD 2-5/8" TO THE HORIZONTAL AND 2-1/8" TO THE VERTICAL GLASS OPENING SIZES

### Components:

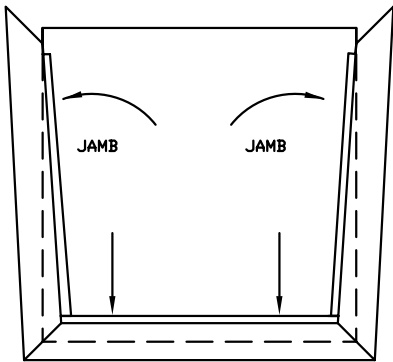
There are two *horizontal components* (head and sill). The horizontal components have compression type plumb anchors at each end. These anchors are adjustable. The horizontal components are interchangeable and can be use as either head or sill.

There are two *vertical components* (jamb). The vertical jamb do not have plumb anchors. The jamb are inter-changeable and can be used at either side.



1. Fully retract the plumb anchors. (Turn screw counter clockwise until it stops.)

2. Install one horizontal component (SILL) into the opening at bottom. Center SILL.



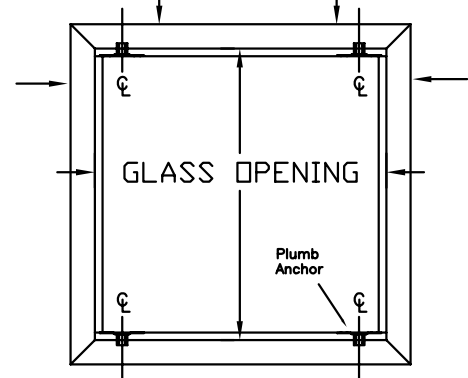
3. Align tabs on one JAMB with sl one end of already installed SILL. Push tabs into slots. Slide JAMB over wall, pushing the top up against stud.

4. Repeat Step 3 with the other JAMB.

5. At the top, slide one end of HEAD component over wall. Rotate other end up. Push HEAD up against rough opening.

6. Straighten JAMBS so that tabs line up with holes in HEAD.

7. Tap ends of HEAD down at each end engaging tabs in their respective slots.



8. Tighten each plumb anchor (turn screw clockwise) until just snug (about 9 turns).

9. Align frame in opening. Adjust anchor screws to square and plumb frame.

10. Tighten all the plumb anchor screw lock Borrowed Lite in place.

11. Glazer to attach bead with Tek screws provided when glazing Borrowed Lite.