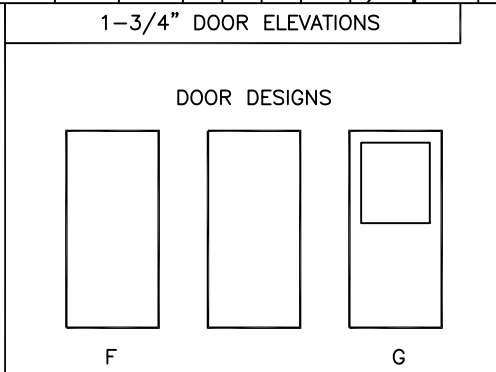
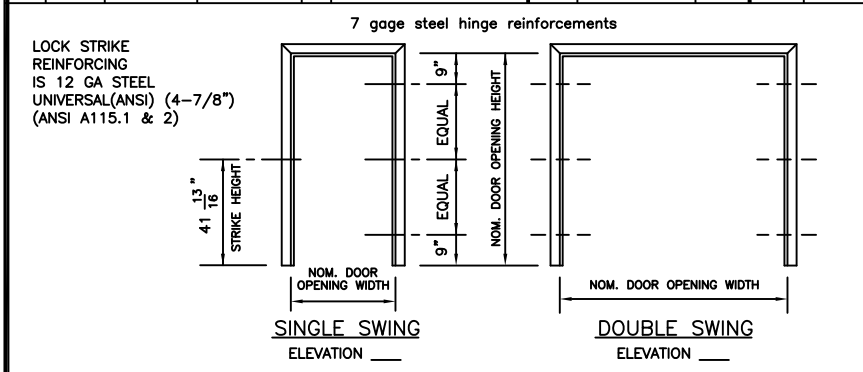
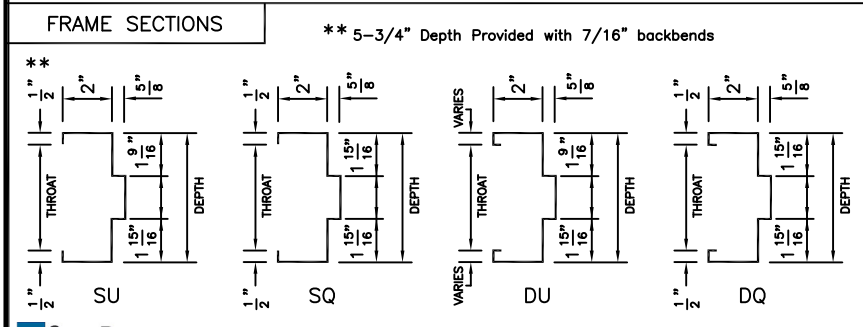


LOCATION			GENERAL			FRAME DATA										DOOR DATA					REMARKS			
1	2	3	4	5	6	7	8	9	10	11	12	13	14	15	16	17	18	19	20	21	22	23	24	
OPENING NUMBER		FROM OR TO		QUANTITY	NOM. DOOR OPENING DIMENSION	HAND AND SWING	SERIES / PROFILE	GAGE MATERIAL AND FINISH	FRAME DEPTH	FRAME THROAT	STRIKE	LABEL	FRAME TYPE	ANCHORS	SHT. # / ELEV.	DOOR SERIES AND CORE	GAGE MATERIAL AND FINISH	DESIGN	LOCK	LABEL	SHT. # / ELEV.		HARDWARE SET #	
1															/							/		
2															/							/		
3															/							/		
4															/							/		
5															/							/		
6															/							/		



PROJECT REQUIREMENTS



Ceco Door

ASSA ABLOY

DRAWN BY _____ DATE _____

CHK'D BY _____ DATE _____

SHT _____ CONTRACT NO. _____

OF _____

ISSUE DATE _____

COMMENTS

Doors and frames shall be properly reinforced, drilled and tapped for mortised hardware in accordance with the approved finish hardware schedule.

Function holes shall be provided at the factory for locksets and exit devices.

Trim mounting holes for hardware are to be drilled and tapped when required in the field by others.

All doors and frames shall be properly reinforced for surface mounted hardware in accordance with the approved finish hardware schedule. Drilling and tapping for attaching of surface mounted hardware shall be done in the field by others.

SEE DOOR SCHEDULE