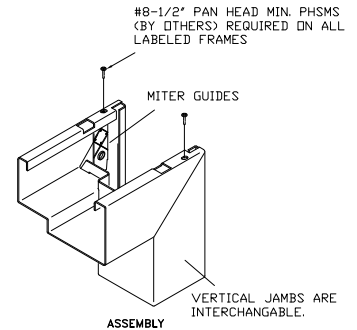
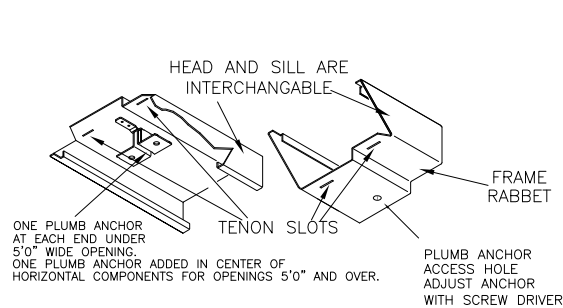
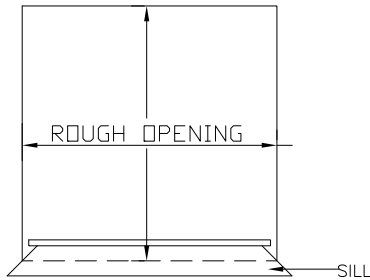


INSTALLATION INSTRUCTIONS: SLIP-ON DRYWALL SINGLE RABBET BORROWED LITE FRAME

TO DETERMINE ROUGH OPENING SIZE: ADD 2-5/8" TO THE HORIZONTAL AND 2-1/8" TO THE VERTICAL (RABBET TO RABBET GLASS OPENING SIZE.)
DR PROFILE 4" DEPTH & LESS ADD 2-7/8" TO HEIGHT.

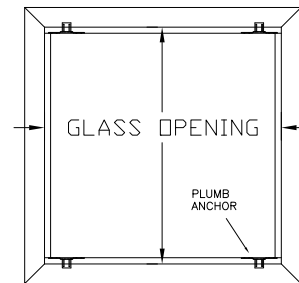
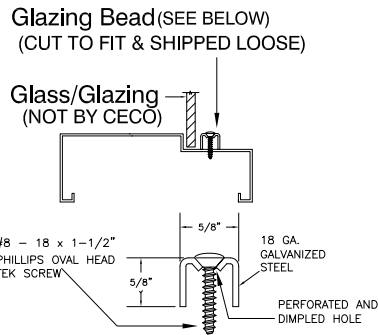
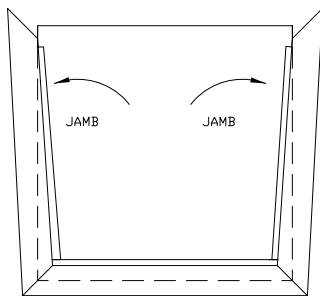
TO DETERMINE GLASS OPENING SIZE: SUBTRACT 2-5/8" FROM THE HORIZONTAL AND 2-1/8" FROM THE VERTICAL ROUGH OPENING SIZE.
DR PROFILE 4" DEPTH & LESS SUBTRACT 2-7/8" FROM HEIGHT.

NOTE: RABBET TO RABBET GLASS OPENING SIZE IS NOT ACTUAL GLASS SIZE.



1. Fully retract the plumb anchors. (Turn screw counter clockwise until it stops.)
2. Install one horizontal component (SILL) into the opening at bottom. Center SILL in the opening.

6. Straighten JAMBS so that tenons line up with slots in HEAD.
7. Tap ends of HEAD down at each end engaging tenons in their respective slots.



(Conversion: 1" = 25.4 mm, e.g., 1-3/4" = 44.45 mm)

3. Align tenons on one JAMB with slots at one end of already installed SILL. Push tenons into slots. Slide JAMB over wall, against stud.
4. Repeat Step 3 with the other JAMB.
5. At the top, slide one end of HEAD component over wall. Push HEAD up against rough opening.

8. Tighten each plumb anchor (turn screw clockwise) until just snug.
9. Align frame in opening. Adjust anchor screws to square and plumb frame.
10. Tighten all the plumb anchor screws to lock Borrowed Lite in place.
11. Insert (8) #8 x 1/2" min. PHSMS through holes in head and sill backbends and fasten to jamb miter guides. (Screws by Others.)

12. Glazer to attach bead with Tek screws. Both provided. Horizontal bead sections are to be applied with ends against both vertical frame jambs. The vertical bead sections are then applied with the ends meeting the horizontal bead sections.

ASSA ABLOY, the global leader in door opening solutions.