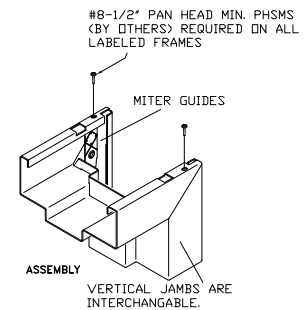
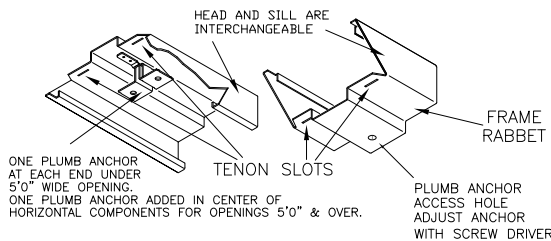
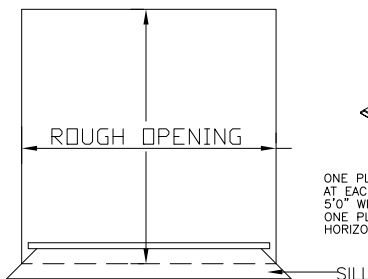


INSTALLATION INSTRUCTIONS: SLIP-ON DOUBLE RABBET DRYWALL BORROWED LITE FRAME

TO DETERMINE ROUGH OPENING SIZE: ADD 2-5/8" TO THE HORIZONTAL AND 2-1/8" TO THE VERTICAL (RABBET TO RABBET GLASS OPENING SIZE.)

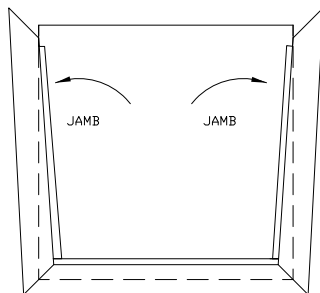
TO DETERMINE GLASS OPENING SIZE: SUBTRACT 2-5/8" FROM THE HORIZONTAL AND 2-1/8" FROM THE VERTICAL ROUGH OPENING SIZE.

NOTE: RABBET TO RABBET GLASS OPENING SIZE IS NOT ACTUAL GLASS SIZE.



1. Fully retract the plumb anchors.
(Turn screw counter clockwise until it stops.)

2. Install one horizontal component (SILL)
into the opening at bottom. Center SILL
in the opening.



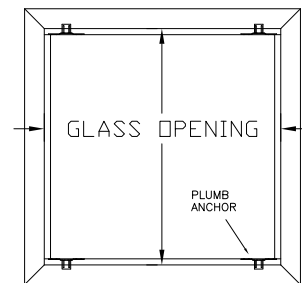
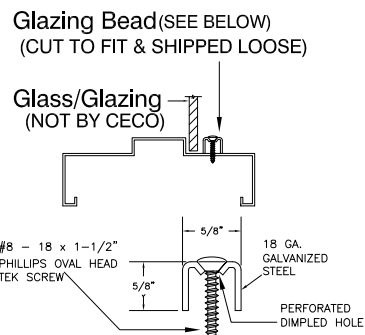
3. Align tenons on one JAMB with slots at one
end of already installed SILL. Push tenons into
slots. Slide JAMB over wall, against stud.

4. Repeat Step 3 with the other JAMB.

5. At the top, slide one end of HEAD
component over wall. Push HEAD up
against rough opening.

6. Straighten JAMBS so that tenons line up with slots in HEAD.

7. Tap ends of HEAD down at each end engaging tenons in their
respective slots.



(Conversion: 1" = 25.4 mm, e.g., 1-3/4" = 44.45 mm)

8. Tighten each plumb anchor (turn screw clockwise) until just snug.

9. Align frame in opening. Adjust anchor screws to square and plumb frame.

10. Tighten all the plumb anchor screws to lock Borrowed Lite in place.

11. Insert (8) #8 x 1/2" min. PHSMS through holes in head and sill
backbends and fasten to jamb miter guides. (Screws by Others.)

12. Glazer to attach bead with Tek screws. Both provided. Horizontal bead
sections are to be applied with ends against both vertical frame jambs. The
vertical bead sections are then applied with the ends meeting the horizontal
bead sections.

ASSA ABLOY, the global leader
in door opening solutions.