

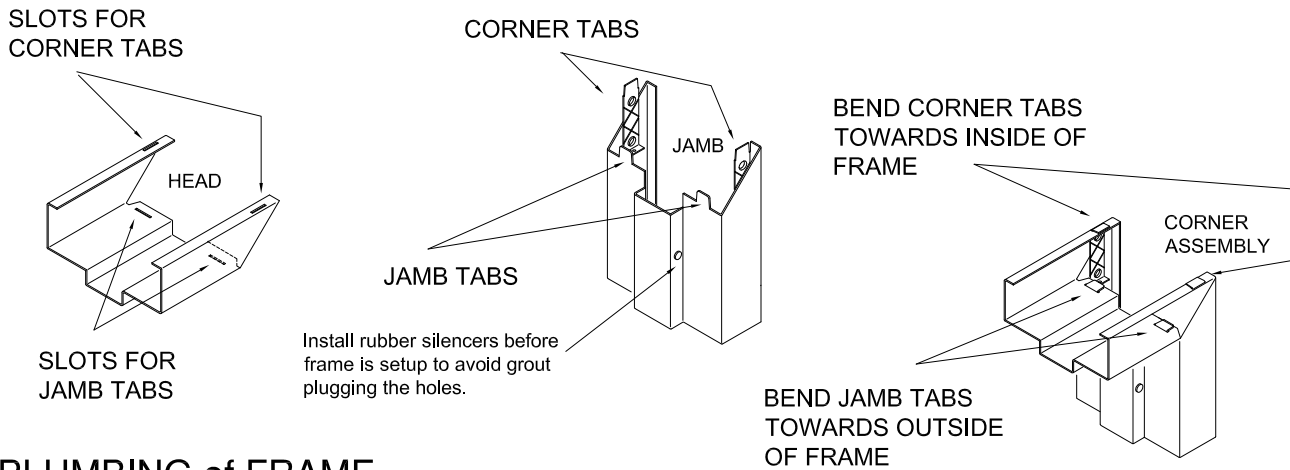
STORMPRO 361 & 320 FRAME INSTALLATION (ICC 500-2008)

FOR MASONRY WALL CONDITIONS:

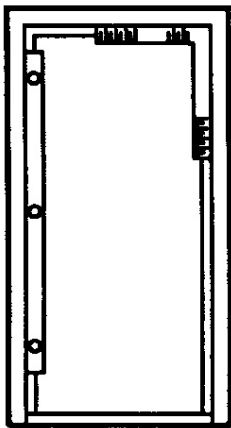
THE THROAT OF THE FRAME JAMBS MUST BE FULLY GROUTED WITH MIN. 3500 PSI GROUT

JOBSITE STORAGE: Store frames off the ground on at least 4" high wood runners or skids, in a manner that will prevent rust or damage. Do not store directly on the ground. Assembled frames shall be stored vertically. Cover frames with tarpaulin or plastic but do insure that adequate ventilation is provided to eliminate moisture condensation. Due to frames being fully grouted, and especially when mortar contains "anti-freezing" agents, the inside of the frame should be coated with a corrosion resistant material by the installation contractor. Silencers/Mutes must be installed prior to grouting.

ASSEMBLY of KD (Knock Down) FRAME



PLUMBING of FRAME

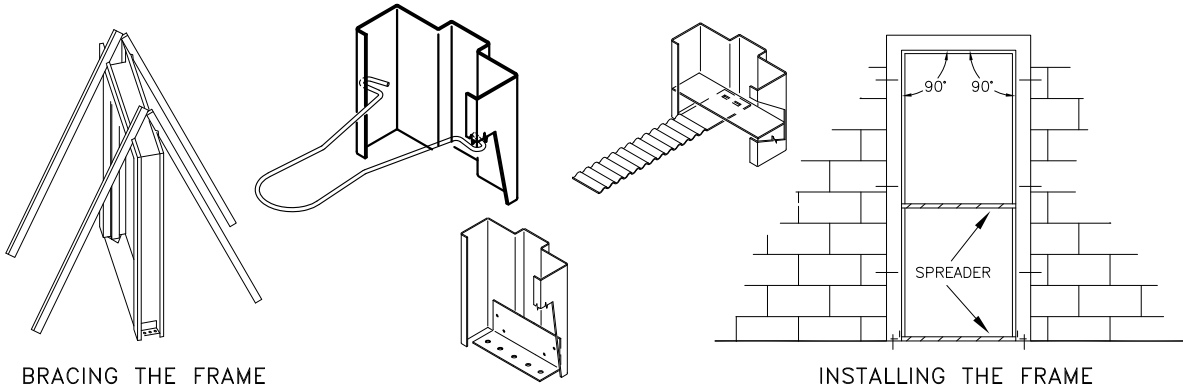


The installer should use wood spreaders (as described at right), a carpenters level (the longer the better), and a carpenters square (the bigger the better). Set the frame in the desired location. Level head and plumb jamba. Shim under jamba if necessary.

Typical wood spreaders must be square and made from lumber at least 1" thick. Length of spreader equals door opening width at the head. Cut clearance notches for frame stops as shown. Spreader must be nearly as wide as frame depth for proper installation.

ASSA ABLOY

STORMPRO 361 & 320 MASONRY WALL CONSTRUCTION (STORMPRO SHUTTER FRAMES NOT INCLUDED)



BRACING THE FRAME

INSTALLING THE FRAME

NOTE: If frame is received setup and welded, remove and discard the temporary metal supports that are tack welded to jambs at sill before starting installation.

Brace the frame as shown or shore to ceiling. Do not brace in the direction of intended wall. Plumb and square jambs. Set spreader. Attach jambs to floor through floor anchor. Install a piece of tie wire around the frame, just below center of vertical opening height, and twist wire tight as this creates inward tension to hold 2nd spreader in place. Install 2nd spreader at mid-point of opening.

Continue checking for plumb and square. Install jamb anchors at locations shown below.

Fully grout frame throat. Lightly tap jamb so mortar can settle. Continually check plumb and square as wall progresses.

CHECK: The difference between diagonals measured from opposite corners as they should not exceed 1/16".

Clear any mortar out of hinge pockets, strike reinforcements and other mortised hardware preparations.

FOR ASSEMBLIES TESTED TO ICC 500-2008

3 & 4 SIDED FRAMES MASONRY "T" JAMB ANCHOR QUANTITIES & LOCATIONS

| Opening Size | Anchor Spacing |
|--|--|
| Paired openings Up to and including 7'0" x 7'0" | Maximum of 8" from the sill, 6" from the head rabbet, and 23" on center maximum. |
| Paired openings Greater than 7'0" x 7'0" and up to and including 8'0" x 8'0" | Maximum of 8" from the sill, 6" from the head rabbet, and 20" on center maximum. |
| Single openings Up to and including 3'0" x 7'0" | Maximum of 12" from the sill, 10" from the head rabbet, and 24" on center maximum. |
| Single openings Greater than 3'0" x 7'0" and up to and including 4'0" x 8'0" | Maximum of 12" from the sill, 10" from the head rabbet, and 20" on center maximum. |

3 & 4 SIDED FRAMES WIRE MASONRY JAMB ANCHOR QUANTITIES & LOCATIONS

| Opening Size | Anchor Spacing |
|--|--|
| Paired openings Up to and including 8'0" x 8'0" | Maximum of 12" from the sill, 10" from the head rabbet, and 24" on center maximum. |
| Single openings Up to and including 4'0" x 8'0" | Maximum of 12" from the sill, 10" from the head rabbet, and 24" on center maximum. |

NOTE: REFER TO WWW.CECODOOR.COM
STORMPRO FRAME EXISTING OPENING INSTALLATION INSTRUCTIONS WHEN FRAME HEAD IS PREPARED FOR ANCHOR BOLTS. SEE STEP # 17.

NOTE: REFER TO WWW.CECODOOR.COM
STORMPRO FRAME WELD TO BUILDING STRUCTURE INSTALLATION INSTRUCTION SUBMITTAL SHEET WHEN FRAME HEAD IS NOT PREPARED FOR ANCHOR BOLTS, AND WILL BE WELDED TO BUILDING STRUCTURE.