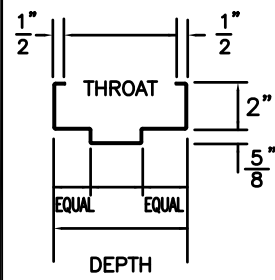


WATER RESISTANT FRAMES

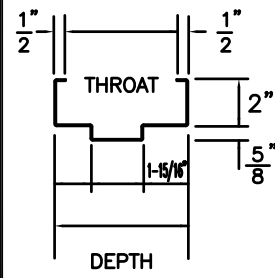
- WRQ** (for 1-3/4" DOOR)
- WRU** (for 1-3/4" DOOR)
- WRR** (for 1-3/4" DOOR)
- WRC**

PROFILES

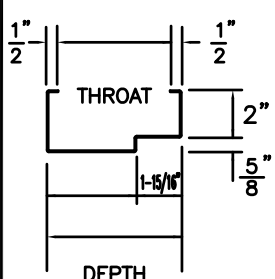
WRQ



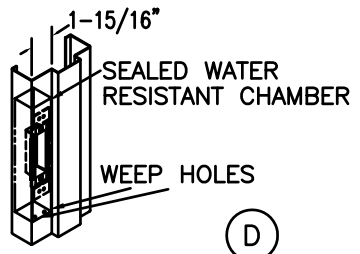
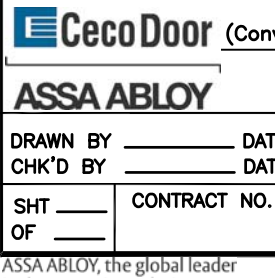
WRU



WRR



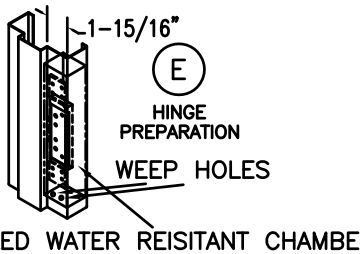
WRC



LOCK STRIKE PREPARATION

- S** UNIVERSAL (4-7/8") (shown) ANSI A115.1 & 2 TEMPLATE (STANDARD FOR 1-3/4" DOORS)
- C** CYLINDRICAL (2-3/4") (not shown) ANSI A115.3 TEMPLATE

12 GAGE STEEL REINFORCING



SEALED WATER RESISTANT CHAMBER

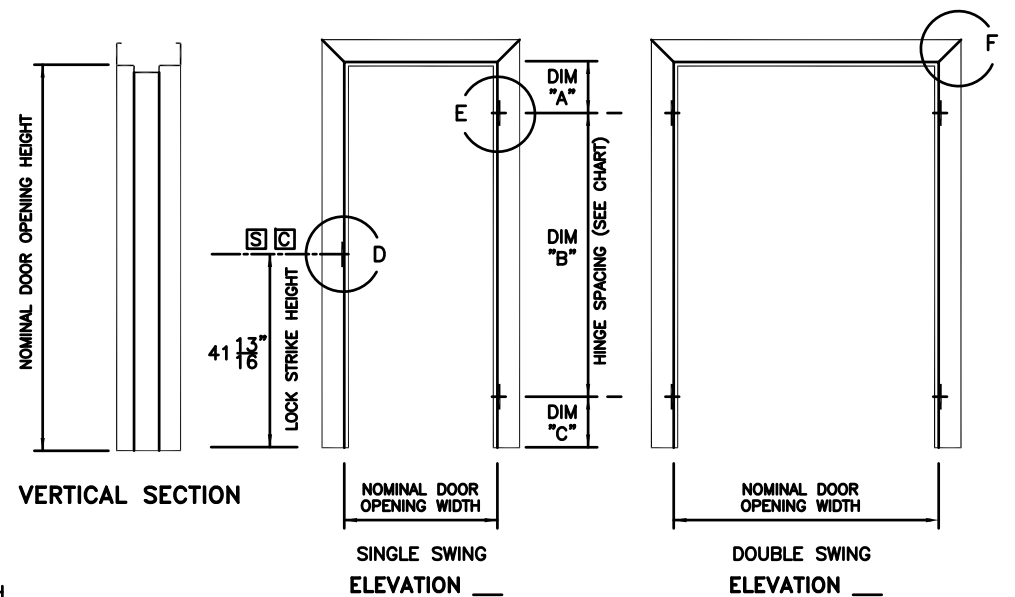
4-1/2" x .134 or .180" (ANSI A156.7 TEMPLATE)
5" x .146" or .190" (ANSI A156.7 TEMPLATE)

7 GAUGE STEEL REINFORCING IS STANDARD FOR 1-3/4" DOORS

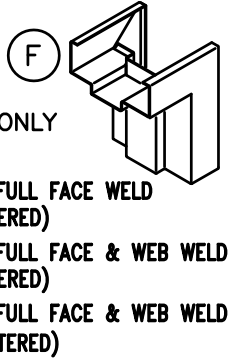
- 16 GAGE
- 14 GAGE
- 12 GAGE
- A60 GALV.
- G90 GALV.
- TYPE 304
- TYPE 316
- #4 BRUSH FINISH
- #6 SATIN FINISH
- #8 MIRROR FINISH
- #2B PAINT GRADE FINISH
- XL BLEND

HINGE SPACING

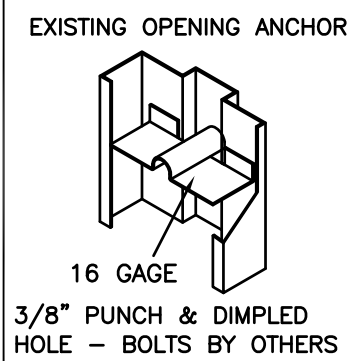
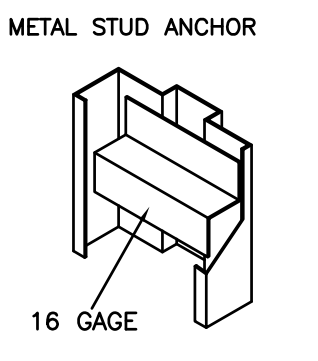
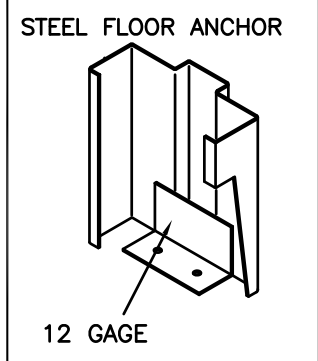
OPENING HEIGHT	6-8			7-0			7-2			7-10			8-0			9-0			10-0		
	A	B	C	A	B	C	A	B	C	A	B	C	A	B	C	A	B	C	A	B	C
1 3/4" STANDARD	9"	(2) AT 31"	9"	9"	(2) AT 33"	9"	9"	(2) AT 34"	9"	9"	(3) AT 25.33"	9"	9"	(3) AT 26"	9"	9"	(3) AT 30"	9"	9"	(3) AT 34"	9"



FIRE RATING: NOT AVAILABLE
FRAMES ARE 16,14 OR 12 GAGE GALV. STEEL STANDARD, WITH 304 OR 316 STAINLESS STEEL BEING OPTIONAL.



- WELDED ONLY**
- V-2** = FULL FACE WELD (DIE MITERED)
 - V-3** = FULL FACE & WEB WELD (DIE MITERED)
 - V-5** = FULL FACE & WEB WELD (SAW MITERED)



Ceco Door (Conversion: 1" = 25.4 mm, e.g., 1-3/4" = 44.45 mm)

FRAMES ARE PALLETIZED FOR SHIPMENT.

ASSA ABLOY

DRAWN BY _____ DATE _____
CHK'D BY _____ DATE _____

SHT _____ CONTRACT NO. _____
OF _____

ISSUE DATE _____ REVISIONS _____ BY _____

WATER RESISTANT DOOR FRAMES

Furnished with one coat of neutral color primer paint. Primer paint has been tested in conformance with ANSI A250.10.

FOR HAND & SWING
SEE DOOR SCHEDULE

ANCHORAGE
(MS OR WS W/FLOOR ANCHOR OR ED ANCHOR)