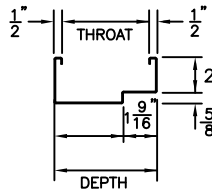


# DRYWALL SERIES

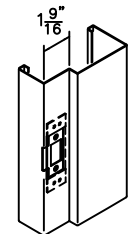
DR8 (for 1-3/8" DOOR)

## PROFILES

### DR8



#### LOCK STRIKE PREPARATION



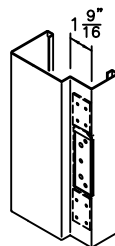
SEE PLASTER GUARD NOTE

**C** CYLINDRICAL (2-3/4") ANSI A115.3 TEMPLATE  
16 GAGE STEEL REINFORCING (STANDARD FOR 1-3/8")

#### HINGE PREPARATION

BACKSET: 5/16"

ONLY 3-1/2" x .123" ANSI A156.7 TEMPLATE  
12 GAGE STEEL REINFORCING (STANDARD FOR 1-3/8" DOORS)



## HINGE SPACING

| OPENING HEIGHT                            | 6'8"   |                  |         | 7'0"   |                  |         | 7'2"   |                  |         |
|---|--------|------------------|---------|--------|------------------|---------|--------|------------------|---------|
|   | A      | B                | C       | A      | B                | C       | A      | B                | C       |
| 1 3/8" STANDARD                           | 9 3/4" | 59 7/8"          | 10 3/8" | 9 3/4" | (2) AT 31 15/16" | 10 3/8" | 9 3/4" | (2) AT 32 15/16" | 10 3/8" |
| 1 3/8" STANDARD UL OPTIONAL (6'8") NON-UL | 9 3/4" | (2) AT 29 15/16" | 10 3/8" | 9 3/4" | (2) AT 31 15/16" | 10 3/8" |        |                  |         |

#### NOTE-PLASTER GUARDS:

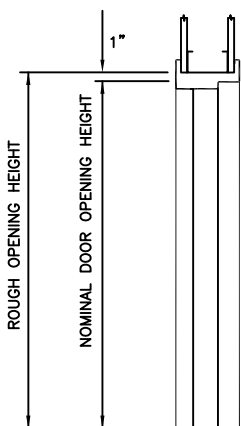
STRIKE PLASTER GUARDS (SNAP-IN TYPE) ARE OPTIONAL.

1" DEEP

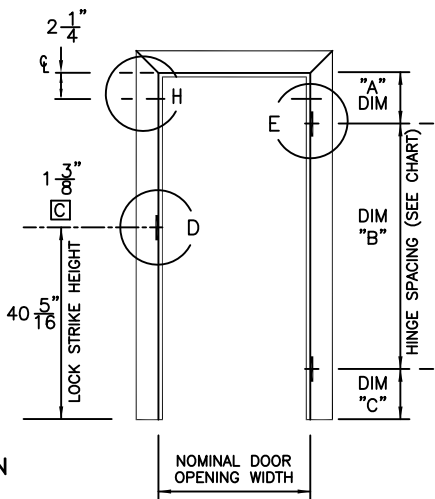
- STEEL/WOOD STUD AND DRYWALL CONSTRUCTION METHODS, IN CONJUNCTION WITH FRAME ANCHORAGE, COULD RESULT IN INTERFERENCE BETWEEN THE STUD AND HARDWARE PREP. NOTCHING OF THE STUD COULD RESULT IN COMPROMISING THE STABILITY OF THE FRAME. CONSIDERATION SHOULD BE GIVEN TO SPECIFYING THE HARDWARE SUITABLY SIZED TO FIT THE CONFINES OF A STANDARD FRAME OR SPECIFYING ALTERNATE FRAME PROFILES TO ACCOMMODATE THE HARDWARE.
- IF NECESSARY TO REMOVE, PLASTER GUARDS ARE BEST REMOVED BEFORE FRAME INSTALLATION. HINGE PLASTER GUARDS ARE PROVIDED, AS STANDARD.

#### LABELING AGENCIES

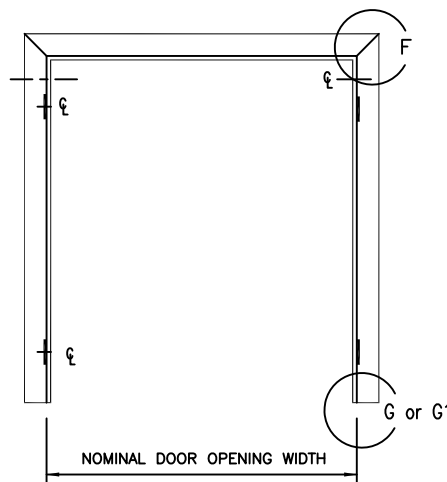
UL LLC  
Warnock Hersey  
Factory Mutual  
TEST STANDARDS  
NFPA 252, UL10B, UL10C  
& UL1784



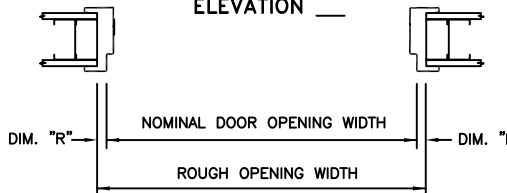
VERTICAL SECTION



SINGLE SWING ELEVATION



DOUBLE SWING ELEVATION



HORIZONTAL SECTION

# SERIES DR8 DRYWALL FRAMES

(SLIP-ON DRYWALL FRAMES)



**ASSA ABLOY** (Conversion: 1" = 25.4 mm, e.g., 1-3/4" = 44.45 mm)

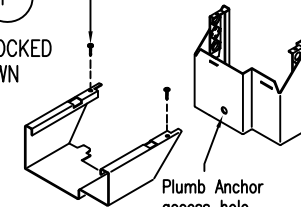
|                |                    |                  |                 |          |
|----------------|--------------------|------------------|-----------------|----------|
| DRAWN BY _____ | DATE _____         |                  |                 |          |
| CHK'D BY _____ | DATE _____         |                  |                 |          |
| SHT _____      | CONTRACT NO. _____ | ISSUE DATE _____ | REVISIONS _____ | BY _____ |

DRB PROFILE 4" DEPTH & LESS ANCHOR SHALL BE PLACED IN RABBET.

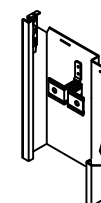
| DEPTH            | DIM. R |
|------------------|--------|
| 3"-4"            | 1-3/8" |
| 4-1/8" & GREATER | 1"     |

# 8 SMS AT CORNERS OF LABELED FRAMES ARE REQUIRED (BY OTHERS)

**F**  
KNOCKED DOWN

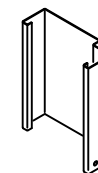


**H**  
ADJUSTABLE PLUMB ANCHOR



ONE EACH JAMB  
Adjust with screw driver

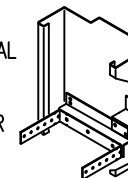
**G**  
STANDARD SILL ANCHOR



DIMPLED HOLE FOR #10 FH FASTENER. FASTENER IS BY CONTRACTOR AND SHOULD BE LONG ENOUGH TO ENGAGE STUD.

**G1**

OPTIONAL SILL STRAP ANCHOR



FASTENER IS BY CONTRACTOR AND SHOULD BE LONG ENOUGH TO ENGAGE STUD.

FOR HAND & SWING  
SEE DOOR SCHEDULE



Experience a safer and more open world