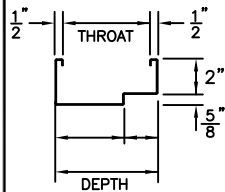


DRYWALL SERIES

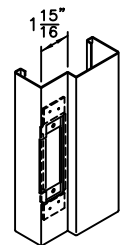
DR (for 1-3/4" DOOR)

PROFILES

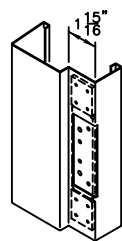
DR



- 18 GA
- 16 GA
- 14 GA



S UNIVERSAL (4-7/8")
ANSI A115.1
& 2 TEMPLATE 12 GAGE
STEEL REINFORCING
(STANDARD FOR
1-3/4" DOORS)



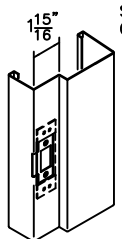
E

HINGE
PREPARATION

BACKSET: 5/16"

4-1/2" x .134" OR
4-1/2" x .180"
ANSI A156.7 TEMPLATE
7 GAGE STEEL
REINFORCING
(STANDARD FOR
1-3/4" DOORS)

D LOCK STRIKE
PREPARATION



SEE PLASTER
GUARD NOTE

C CYLINDRICAL (2-3/4")
ANSI A115.3 TEMPLATE
16 GAGE STEEL REINFORCING
(OPTIONAL FOR 1-3/4" DOORS)

HINGE SPACING

OPENING HEIGHT	6'8"			7'0"			7'2"			7'10"			8'0"			9'0"		
	A	B	C	A	B	C	A	B	C	A	B	C	A	B	C	A	B	C
1 3/4" STANDARD	9"	(2) AT 31"	9"	9"	(2) AT 33"	9"	9"	(2) AT 34"	9"	9"	(3) AT 25.33"	9"	9"	(3) AT 26"	9"	9"	(3) AT 30"	9"

NOTE-PLASTER GUARDS:

STRIKE PLASTER GUARDS (SNAP-IN TYPE) ARE OPTIONAL.

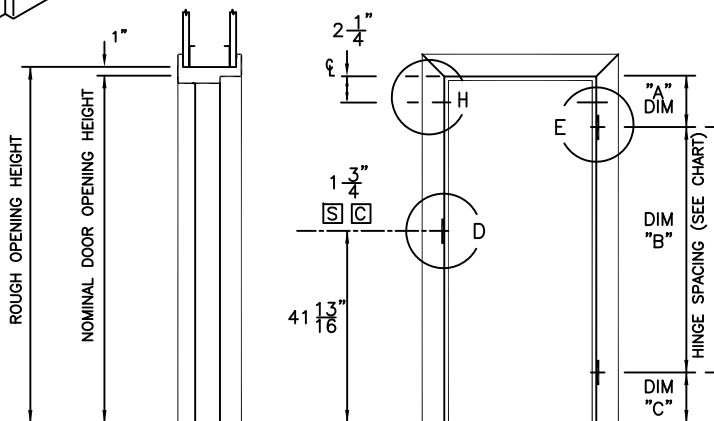
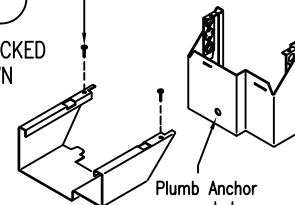
1" DEEP

- STEEL/WOOD STUD AND DRYWALL CONSTRUCTION METHODS, IN CONJUNCTION WITH FRAME ANCHORAGE, COULD RESULT IN INTERFERENCE BETWEEN THE STUD AND HARDWARE PREP. NOTCHING OF THE STUD COULD RESULT IN COMPROMISING THE STABILITY OF THE FRAME. CONSIDERATION SHOULD BE GIVEN TO SPECIFYING THE HARDWARE SUITABLY SIZED TO FIT THE CONFINES OF A STANDARD FRAME OR SPECIFYING ALTERNATE FRAME PROFILES TO ACCOMMODATE THE HARDWARE.
- IF NECESSARY TO REMOVE, PLASTER GUARDS ARE BEST REMOVED BEFORE FRAME INSTALLATION.

F

KNOCKED
DOWN

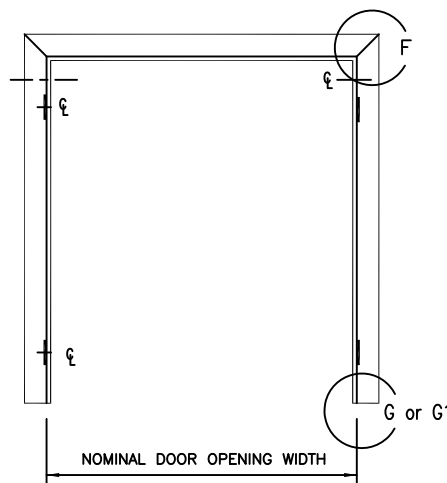
8 SMS AT CORNERS
OF LABELED
FRAMES ARE REQUIRED
(BY OTHERS)



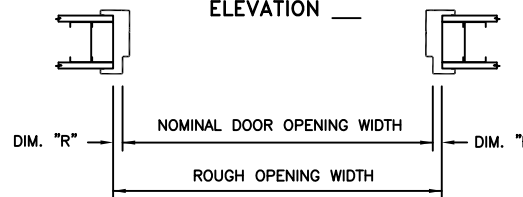
VERTICAL SECTION

NOMINAL DOOR
OPENING WIDTH

SINGLE SWING
ELEVATION

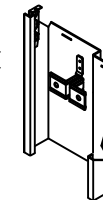


DOUBLE SWING
ELEVATION



HORIZONTAL SECTION

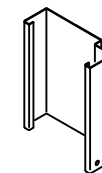
H ADJUSTABLE
PLUMB
ANCHOR



ONE EACH
JAMB

Adjust with
screw driver

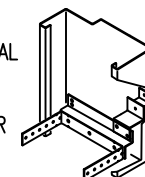
G STANDARD
SILL
ANCHOR



DIMPLED HOLE
FOR #10 FH
FASTENER.
FASTENER IS
BY CONTRACTOR
AND SHOULD
BE LONG
ENOUGH TO
ENGAGE STUD.

G1

OPTIONAL
SILL
STRAP
ANCHOR



FASTENER IS
BY CONTRACTOR
AND SHOULD
BE LONG
ENOUGH TO
ENGAGE STUD.

LABELING AGENCIES

UL LLC
Warnock Hersey
Factory Mutual
TEST STANDARDS
NFPA 252, UL10B, UL10C
& UL1784

DR PROFILE 4" DEPTH &
LESS, ANCHOR SHALL BE
PLACED IN RABBET.

DEPTH	DIM. R
3" - 4"	1-3/8"
4-1/8" & GREATER	1"

Cold rolled steel is standard.
Galvannealed and galvanized steel are optional.



(Conversion: 1" = 25.4 mm, e.g., 1-3/4" = 44.45 mm)

DRAWN BY _____	DATE _____			
CHK'D BY _____	DATE _____			
SHT _____	CONTRACT NO. _____	ISSUE DATE _____	REVISIONS _____	BY _____

SERIES DR DRYWALL FRAMES (SLIP-ON DRYWALL FRAMES)

FOR HAND & SWING
SEE DOOR SCHEDULE



Experience a safer
and more open world