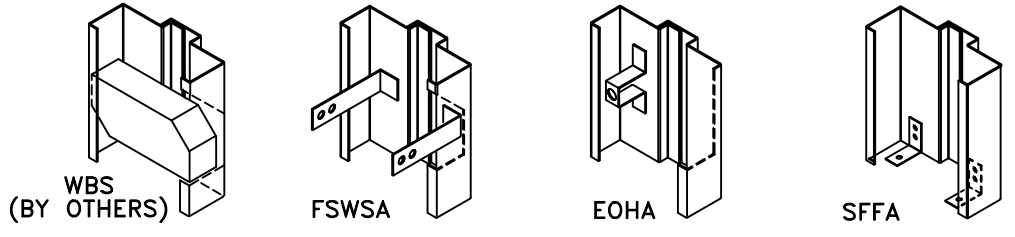
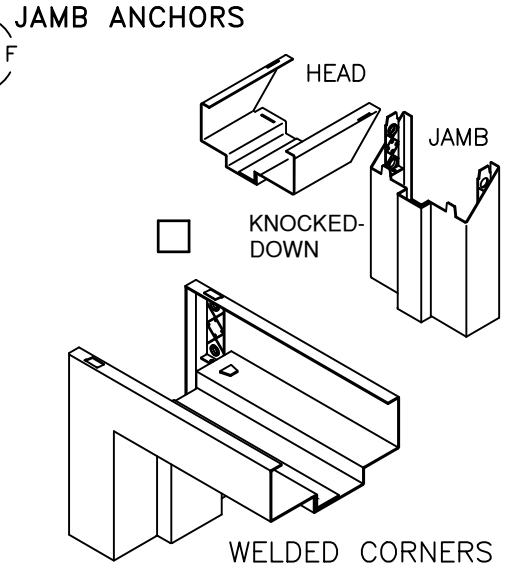
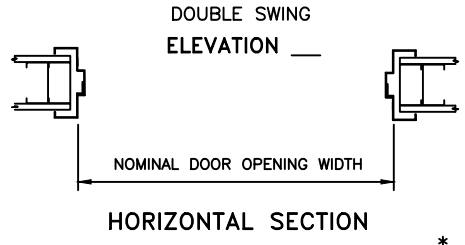
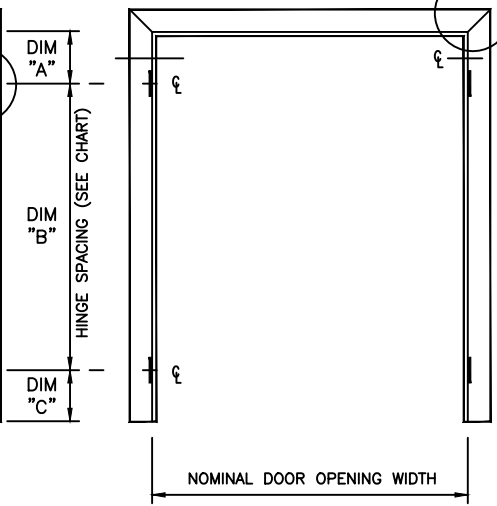
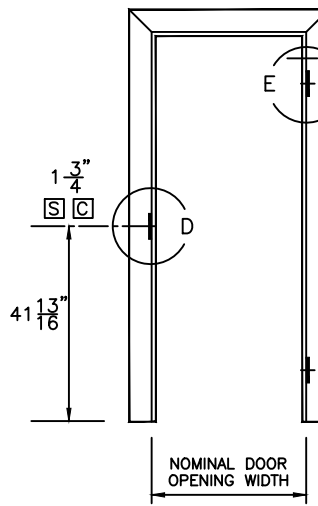
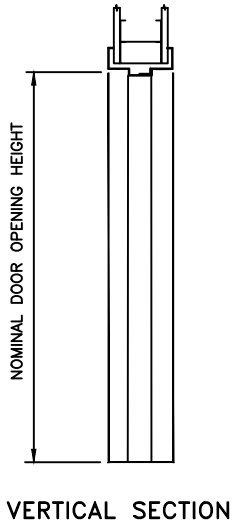


HINGE SPACING

OPENING HEIGHT	6'8"			7'0"			7'2"			7'10"			8'0"		
	A	B	C	A	B	C	A	B	C	A	B	C	A	B	C
1 3/4" STANDARD	9"	(2) AT 31"	9"	9"	(2) AT 33"	9"	9"	(2) AT 34"	9"	9"	(3) AT 25.33"	9"	9"	(3) AT 26"	9"



PEMCO S44 SHIPS LOOSE WITH FRAME, TO BE FIELD INSTALLED AFTER FINISH PAINT.



GAGE	16 OR 14
MATERIAL	ASTM A60 GALVANNEALED ASTM G90 GALVANIZED
FINISH	PRIME PAINTED
CORNER CONDITION	WELDED (*V2), LIMITED (+,*V3) KD AVAILABLE WITH EQUAL JB AND HD FACE

WELDED CORNERS TYPE _____

*V2 = FACE WELD ONLY

+,*V3 = FULL FACE & WEB WELD

+ NOTE: THERMALLY BROKEN FRAMES PROVIDED WITH V3 CORNER WELDS WILL NOT HAVE THE SOFFIT SEAM WELDED, AS WELDING THAT SEAM WOULD REMOVE THE THERMAL BARRIER.

* Production welded corner types with "V" prefix do not utilize corner tabs. Frames with welded corners have temporary spreaders tackwelded at sill. See Installation instructions at Cecodoor.com for grout warning.

ASSA ABLOY (Conversion: 1" = 25.4 mm, e.g., 1-3/4" = 44.45 mm)

DRAWN BY _____ DATE _____

CHK'D BY _____ DATE _____

SHT _____ CONTRACT NO. _____

OF _____

ISSUE DATE _____ REVISIONS _____ BY _____

MERCURY TQB & TRB THERMAL BREAK FRAMES
(FOR 1-3/4" THICK DOORS)

FOR HAND & SWING SEE DOOR SCHEDULE