

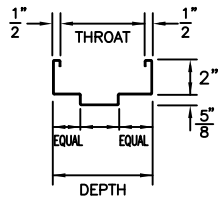
**BEFORE DRYWALL SERIES**

BQ8 (for 1-3/8" DOOR)

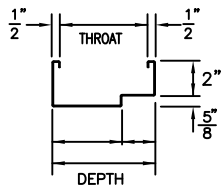
BR8 (for 1-3/8" DOOR)

**PROFILES**

**BQ8**

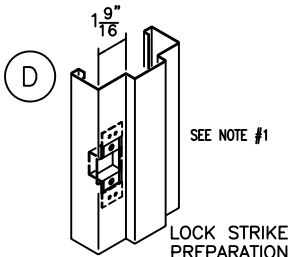


**BR8**

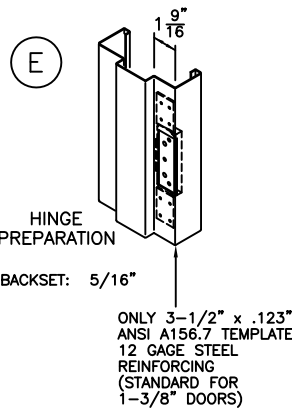


**LABELING AGENCIES**

UL LLC  
Warnock Hersey  
Factory Mutual  
**TEST STANDARDS**  
NFPA 252, UL10B, UL10C  
& UL1784



**C** CYLINDRICAL (2-3/4") ANSI A115.3 TEMPLATE  
16 GAGE STEEL REINFORCING WITH EXTRUDED SCREW HOLES EQUAL TO 14 GAGE.  
(STANDARD FOR 1-3/8" DOORS)

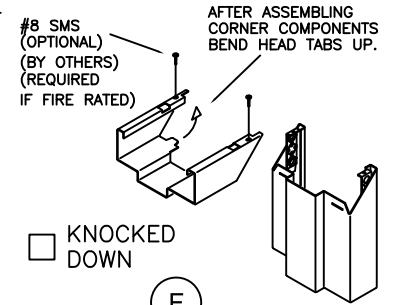


**HINGE SPACING**

OPENING HEIGHT	6'8"			7'0"			7'2"		
DOOR THICKNESS	A	B	C	A	B	C	A	B	C
1 3/8" STANDARD	9 3/4"	59 7/8"	10 3/8"	9 3/4"	(2) AT 31 15/16"	10 3/8"	9 3/4"	(2) AT 31 15/16"	10 3/8"
1 3/8" STANDARD UL OPTIONAL NON-UL (6'-8")	9 3/4"	(2) AT 29 15/16"	10 3/8"	9 3/4"	(2) AT 31 15/16"	10 3/8"			

NOTE #1: STRIKE PLASTER GUARD IS AN INTEGRAL PART OF THE STRIKE REINFORCEMENT. STRIKE PLASTER GUARD IS 1-1/8" DEEP WITH A 2" FACE STRIKE JAMB.

STEEL/WOOD STUD AND DRYWALL CONSTRUCTION METHODS, IN CONJUNCTION WITH FRAME ANCHORAGE AND/OR ELECTRICAL JUNCTION BOX, COULD RESULT IN INTERFERENCE BETWEEN THE STUD AND HARDWARE PREP. NOTCHING OF THE STUD COULD RESULT IN COMPROMISING THE STABILITY OF THE FRAME. CONSIDERATION SHOULD BE GIVEN TO SPECIFYING HARDWARE SUITABLY SIZED TO FIT THE CONFINES OF A STANDARD FRAME OR SPECIFYING ALTERNATE FRAME PROFILES TO ACCOMMODATE THE HARDWARE.



KNOCKED DOWN

**F**

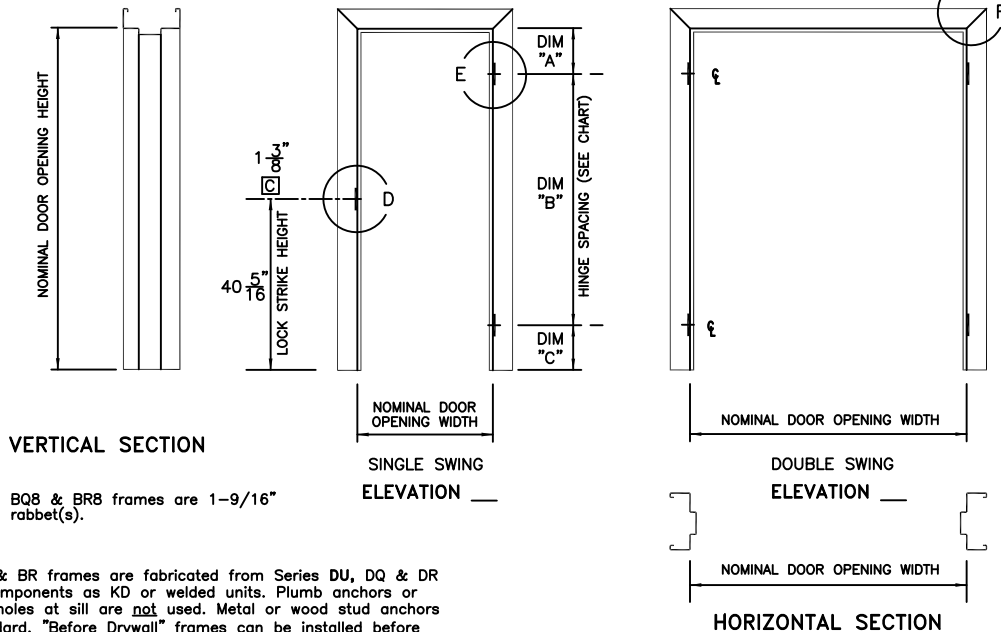
OR

WELDED CORNERS TYPE \_\_\_\_\_

V2 = FACE WELD ONLY  
V3 = FULL FACE & WEB WELD

\* Production welded corner types with "V" prefix do not utilize corner tabs.

Frames with welded corners have temporary spreaders tackwelded at sill.



**VERTICAL SECTION**

BQ8 & BR8 frames are 1-9/16" rabbet(s).

BU, BQ & BR frames are fabricated from Series DU, DQ & DR frame components as KD or welded units. Plumb anchors or dimpled holes at sill are not used. Metal or wood stud anchors are standard. "Before Drywall" frames can be installed before or after wall frame work is erected but before wallboard is applied. See anchor sheet for suggested wall details.

Cold rolled steel is standard.  
Galvannealed and galvanized steel are optional.



**ASSA ABLOY**

(Conversion: 1" = 25.4 mm, e.g., 1-3/4" = 44.45 mm)

DRAWN BY _____	DATE _____			
CHK'D BY _____	DATE _____			
SHT _____ OF _____	CONTRACT NO. _____	ISSUE DATE _____	REVISIONS _____	BY _____

**SERIES BQ8 & BR8 DOOR FRAMES**

(BEFORE DRYWALL FRAMES w/ APPLIED ANCHORS)

Furnished with one coat of neutral color primer paint.  
Primer paint has been tested in conformance with ANSI A250.10.

FOR HAND & SWING

SEE DOOR SCHEDULE



FOR ANCHORAGE

SEE DOOR SCHEDULE & ANCHOR SHEET



Experience a safer and more open world