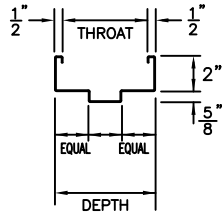


DRYWALL SERIES

DQ8 (for 1-3/8" DOOR)

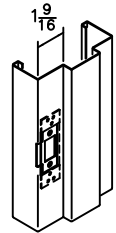
PROFILES

DQ8



18 GA 16 GA

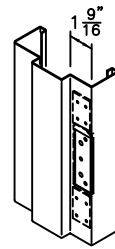
LOCK STRIKE PREPARATION



SEE PLASTER GUARD NOTE

C CYLINDRICAL (2-3/4") ANSI A115.3 TEMPLATE 16 GAGE STEEL REINFORCING (STANDARD FOR 1-3/8")

HINGE PREPARATION



BACKSET: 5/16"

ONLY 3-1/2" x .123" ANSI A156.7 TEMPLATE 12 GAGE STEEL REINFORCING (STANDARD FOR 1-3/8" DOORS)

HINGE SPACING

OPENING HEIGHT	6'8"			7'0"			7'2"		
	A	B	C	A	B	C	A	B	C
1 3/8" STANDARD	9 3/4"	59 7/8"	10 3/8"	9 3/4"	(2) AT 31 15/16"	10 3/8"	9 3/4"	(2) AT 32 15/16"	10 3/8"
1 3/8" FIRE RATED, OR OPTIONAL NON-FIRE RATED	9 3/4"	(2) AT 29 15/16"	10 3/8"	9 3/4"	(2) AT 31 15/16"	10 3/8"			

NOTE-PLASTER GUARDS:

STRIKE PLASTER GUARDS (SNAP-IN TYPE) ARE OPTIONAL.

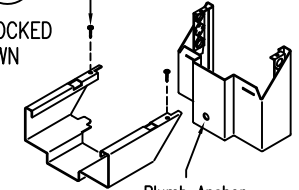
1" DEEP

- STEEL/WOOD STUD AND DRYWALL CONSTRUCTION METHODS, IN CONJUNCTION WITH FRAME ANCHORAGE, COULD RESULT IN INTERFERENCE BETWEEN THE STUD AND HARDWARE PREP. NOTCHING OF THE STUD COULD RESULT IN COMPROMISING THE STABILITY OF THE FRAME. CONSIDERATION SHOULD BE GIVEN TO SPECIFYING THE HARDWARE SUITABLY SIZED TO FIT THE CONFINES OF A STANDARD FRAME OR SPECIFYING ALTERNATE FRAME PROFILES TO ACCOMMODATE THE HARDWARE.
- IF NECESSARY TO REMOVE, PLASTER GUARDS ARE BEST REMOVED BEFORE FRAME INSTALLATION. HINGE PLASTER GUARDS ARE PROVIDED, AS STANDARD.

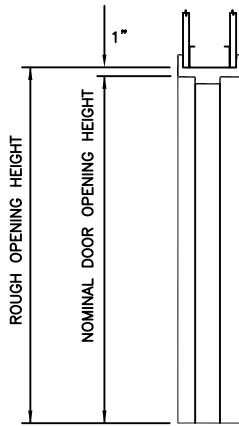
#8 x 1/2" PAN HEAD SMS (RECOMMENDED IF NON-FIRE RATED) (REQUIRED IF FIRE RATED) (BY OTHERS)



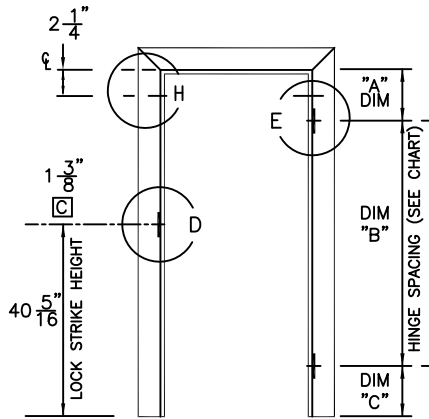
KNOCKED DOWN



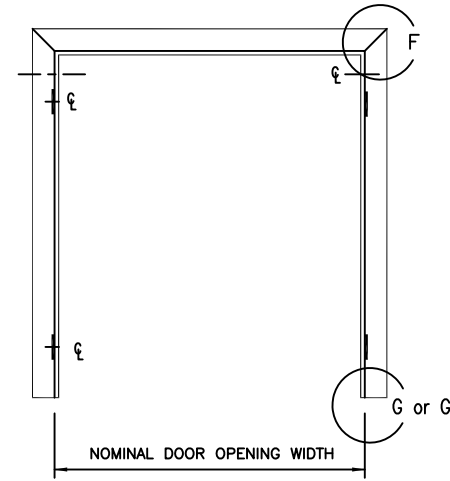
Plumb Anchor access hole with screw



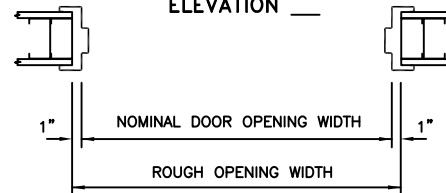
VERTICAL SECTION



SINGLE SWING ELEVATION

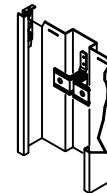


DOUBLE SWING ELEVATION



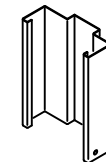
HORIZONTAL SECTION

H ADJUSTABLE PLUMB ANCHOR



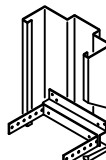
ONE EACH JAMB FOR OPENING HEIGHTS THRU 7'2". ONE ADDITIONAL FOR OPENING HEIGHTS >7'2". Adjust with screw driver

G STANDARD SILL ANCHOR



DIMPLED HOLE FOR #10 FH FASTENER. FASTENERS ARE BY CONTRACTOR AND SHOULD BE LONG ENOUGH TO ENGAGE STUD.

G1 OPTIONAL SILL STRAP ANCHOR



FASTENERS ARE BY CONTRACTOR AND SHOULD ENGAGE STUD.

LABELING AGENCIES
UL LLC
Warnock Hersey
Factory Mutual

TEST STANDARDS
NFPA 252, UL10B, UL10C
& UL1784

Cold rolled steel is standard.
Galvannealed or galvanized steel is optional.

SERIES DQ8 DRYWALL FRAMES

(SLIP-ON DRYWALL FRAMES)



DRAWN BY _____ DATE _____		_____		_____	
CHK'D BY _____ DATE _____		_____		_____	
SHT _____ OF _____	CONTRACT NO. _____	ISSUE DATE _____	REVISIONS _____	BY _____	_____

(Conversion: 1" = 25.4 mm, e.g., 1-3/4" = 44.45 mm)

FOR HAND & SWING
SEE DOOR SCHEDULE

