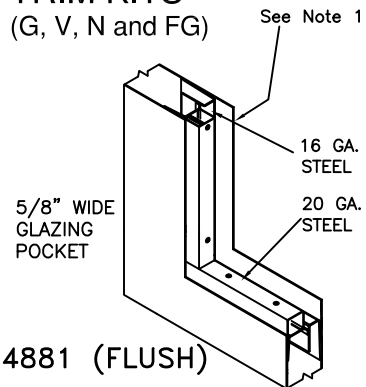


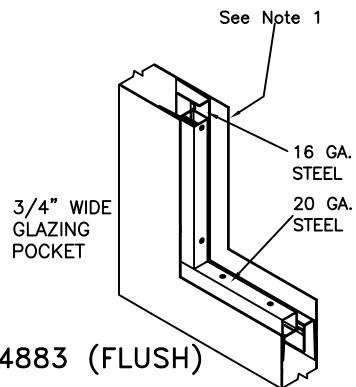
# GLASS LITE TRIM KITS

(G, V, N and FG)



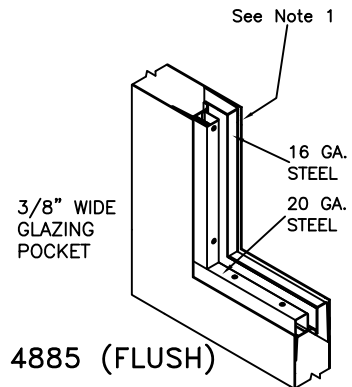
4881 (FLUSH)

Note:  
1. Field applied caulk is recommended on this seam to improve esthetics and resist water intrusion.



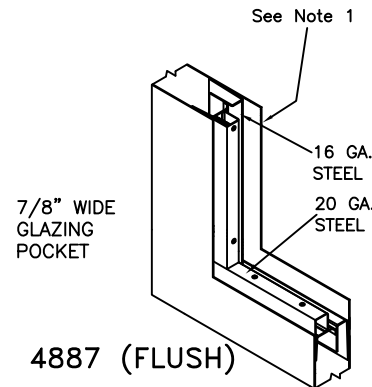
4883 (FLUSH)

Note:  
1. Field applied caulk is recommended on this seam to improve esthetics and resist water intrusion.



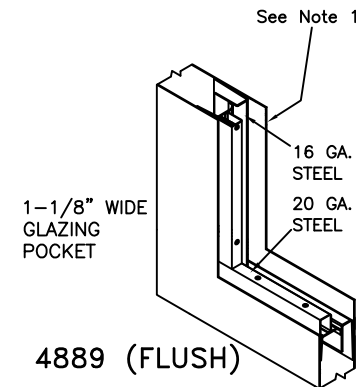
4885 (FLUSH)

Note:  
1. Field applied caulk is recommended on this seam to improve esthetics and resist water intrusion.



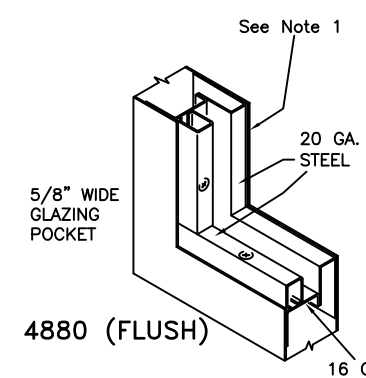
4887 (FLUSH)

Note:  
1. Field applied caulk is recommended on this seam to improve esthetics and resist water intrusion.



4889 (FLUSH)

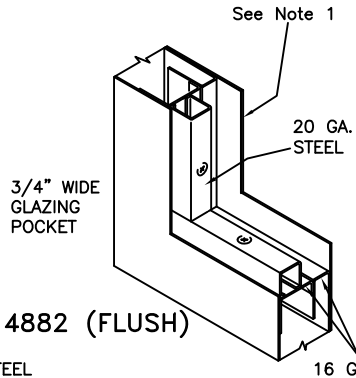
Note:  
1. Field applied caulk is recommended on this seam to improve esthetics and resist water intrusion.



4880 (FLUSH)

FOR MEDALLION AND OTHER CENTER SEAM DOORS

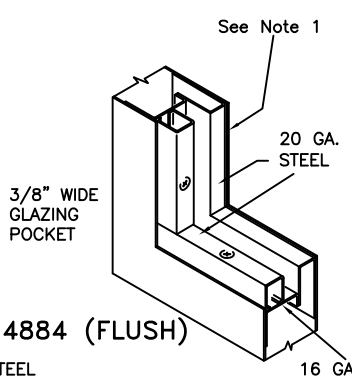
Note:  
1. Field applied caulk is recommended on this seam to improve esthetics and resist water intrusion.



4882 (FLUSH)

FOR MEDALLION AND OTHER CENTER SEAM DOORS

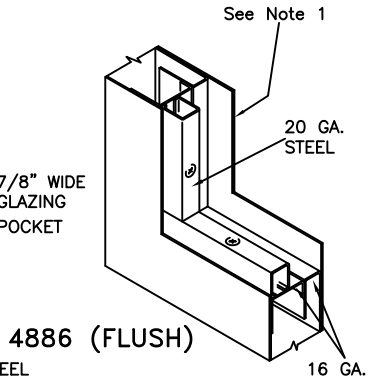
Note:  
1. Field applied caulk is recommended on this seam to improve esthetics and resist water intrusion.



4884 (FLUSH)

FOR MEDALLION AND OTHER CENTER SEAM DOORS

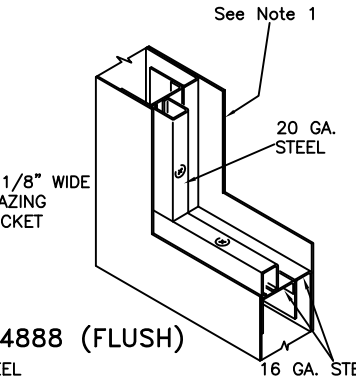
Note:  
1. Field applied caulk is recommended on this seam to improve esthetics and resist water intrusion.



4886 (FLUSH)

FOR MEDALLION AND OTHER CENTER SEAM DOORS

Note:  
1. Field applied caulk is recommended on this seam to improve esthetics and resist water intrusion.



4888 (FLUSH)

FOR MEDALLION AND OTHER CENTER SEAM DOORS

Note:  
1. Field applied caulk is recommended on this seam to improve esthetics and resist water intrusion.

## DOOR ACCESSORIES

(FOR 1-3/4" DOORS)



ASSA ABLOY (Conversion: 1" = 25.4 mm, e.g., 1-3/4" = 44.45 mm)

DRAWN BY _____ DATE _____				
CHK'D BY _____ DATE _____				
SHT _____ OF _____	CONTRACT NO. _____	ISSUE DATE _____	REVISIONS _____	BY _____