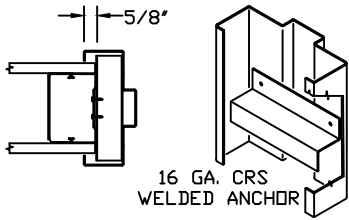
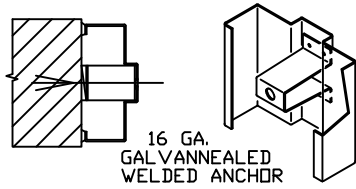


MSZ1



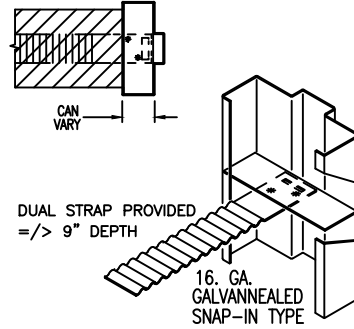
METAL STUD "Z" ANCHOR

EO/N



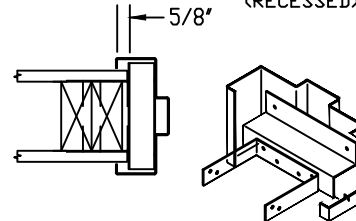
SIDE BY SIDE DUAL ANCHORS APPLIED ON DEPTHS OVER 14", EXCLUDING SQT & DOUBLE EGRESS PROFILES. EXISTING OPENING ANCHOR

MT



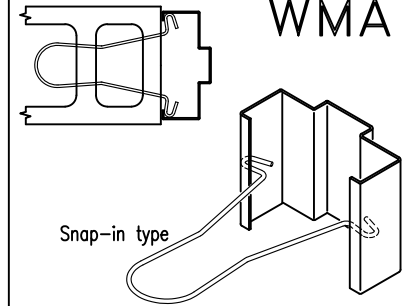
(FOR MIN. DEPTH OF 4-7/8")

WSZS (RECESSED)



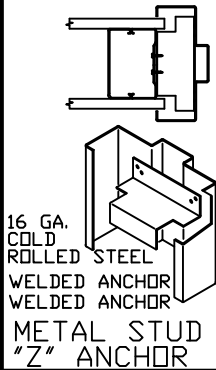
WOOD STUD "Z" STRAP ANCHOR

WMA



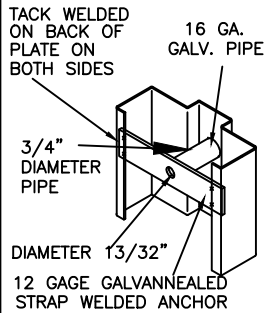
WIRE MASONRY ANCHOR (For 3" THRU 8-3/4" DEPTHS)

MSZ2



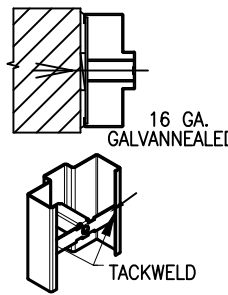
METAL STUD "Z" ANCHOR

EO/P&P



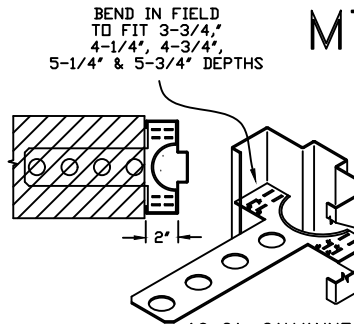
EXISTING OPENING ANCHOR

EO/WEWA



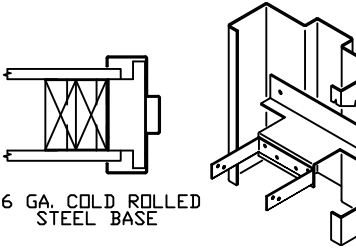
EXISTING OPENING ANCHOR

MT



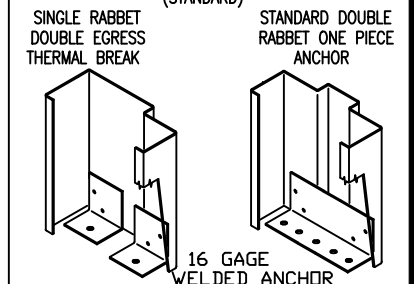
MASONRY "T" ANCHOR

WSZS (FLUSH)



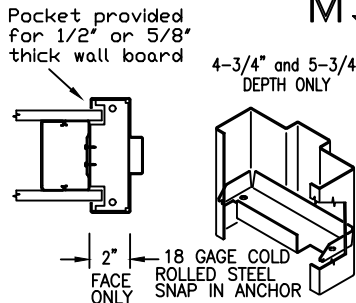
WOOD STUD "Z" STRAP ANCHOR

SA (STANDARD)



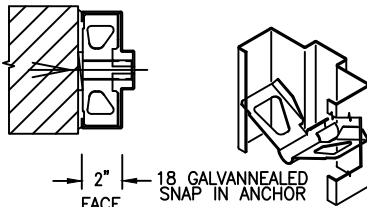
FLOOR ANCHOR

MS



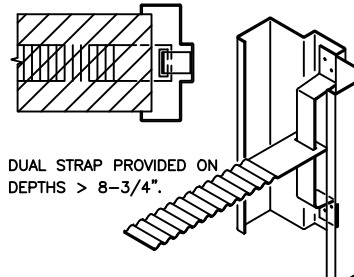
METAL STUD ANCHOR

EO



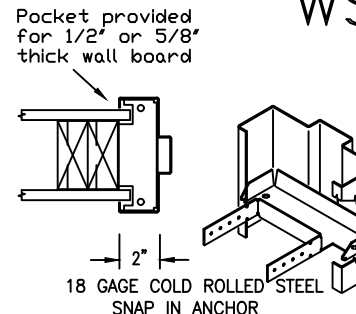
EXISTING OPENING ANCHOR

YS



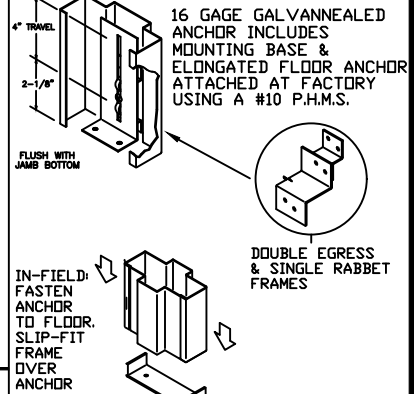
16 GAGE GALVANNEALED WELDED 16 GAGE YOKE & STRAP MASONRY ANCHOR

WS



WOOD STUD ANCHOR (USED ALSO ON METAL STUD WALLS)

ADJFL



SLFA 12 GAGE GALVANNEALED SIDELITE FLOOR ANCHOR



(Conversion: 1" = 25.4 mm, e.g., 1-3/4" = 44.45 mm)

# FRAME ANCHORS

DRAWN BY \_\_\_\_\_ DATE \_\_\_\_\_  
 CHK'D BY \_\_\_\_\_ DATE \_\_\_\_\_

SHT \_\_\_\_\_ CONTRACT NO. \_\_\_\_\_  
 OF \_\_\_\_\_

ISSUE DATE \_\_\_\_\_

REVISIONS \_\_\_\_\_ BY \_\_\_\_\_

ANCHOR QUANTITIES

2 PER JAMB FOR HEIGHTS 3'6" THRU 5'0" AND ONE FLOOR ANCHOR  
 3 PER JAMB FOR HEIGHTS > 5'0" THRU 7'2" AND ONE FLOOR ANCHOR  
 4 PER JAMB FOR HEIGHTS > 7'2" THRU 9'0" AND ONE FLOOR ANCHOR  
 5 PER JAMB FOR HEIGHTS > 9'0" THRU 10'0" AND ONE FLOOR ANCHOR  
 ONE ADDITIONAL JAMB ANCHOR FOR EACH ADDITIONAL TWO FEET IN HEIGHT OR FRACTION THEREOF  
 ONE ADDITIONAL JAMB ANCHOR IN LIEU OF FLOOR ANCHOR FOR EXISTING STUDS AND/OR WALLS.  
 ANCHOR LOCATIONS ABOVE DO NOT APPLY TO THERMAL BREAK OR DOUBLE EGRESS FRAMES.