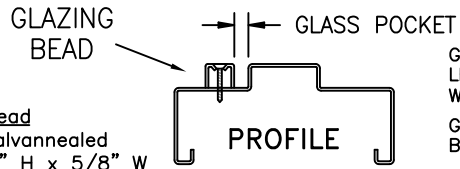
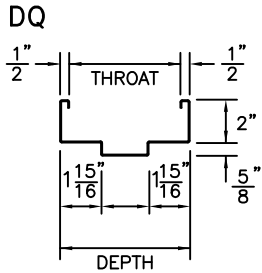
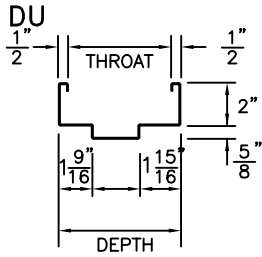


**DRYWALL SERIES**

DU (unequal rabbet)

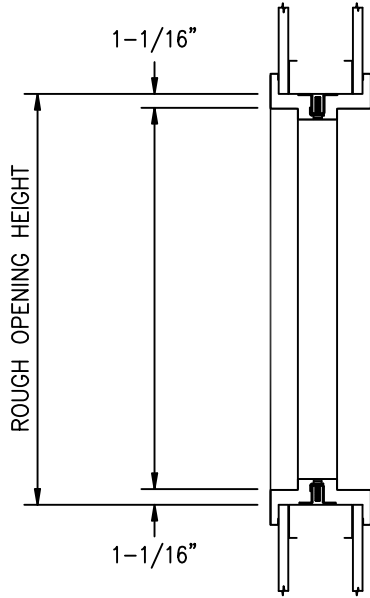
DQ (equal rabbet)

**PROFILES**

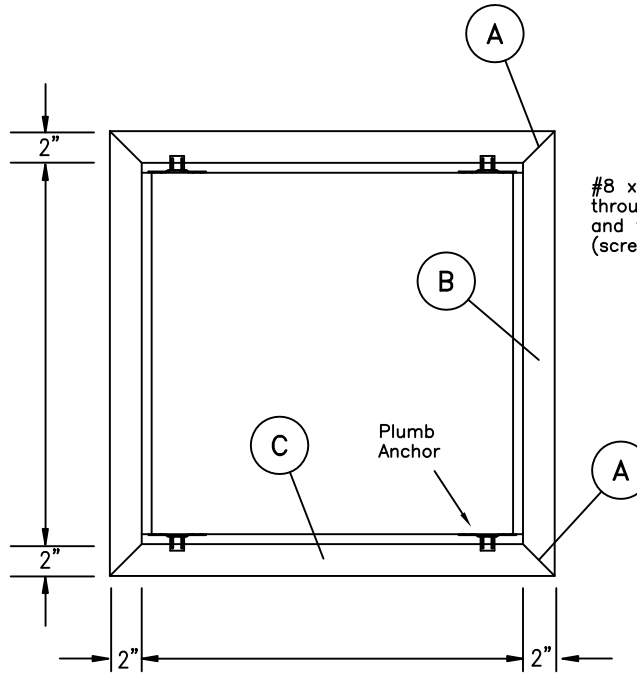


**Glazing Bead**  
18 ga. galvanized steel 5/8" H x 5/8" W x Length

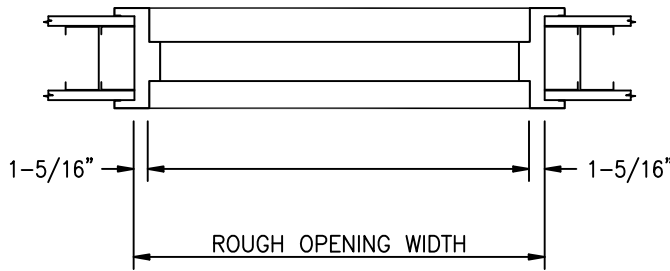
GLAZING BEAD IS CUT TO LENGTH & SHIPPED LOOSE WITH TEK SCREWS  
GLASS AND GLAZING NOT BY CECO



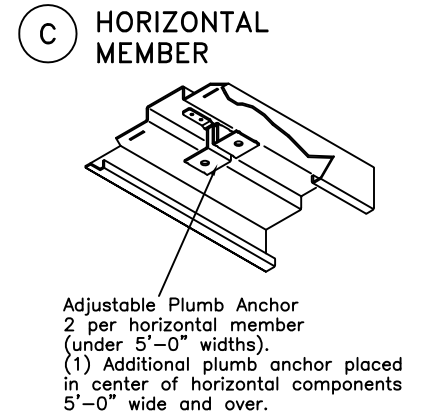
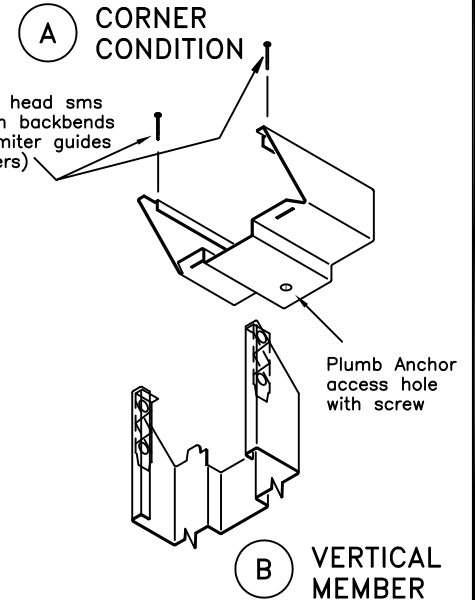
**VERTICAL SECTION**



**ELEVATION**



**HORIZONTAL SECTION**



16 GAGE ONLY

- COLD ROLLED STEEL STANDARD
- A60 GALVANNEALED IS OPTIONAL

**LABELING AGENCIES**  
UL LLC  
Warnock Hersey

**FIRE TESTS**  
NFPA 257, NFPA 252 & UL9

**HOURLY RATINGS**  
20 min., 3/4 hour and 1 hour

**CecoDoor** (Conversion: 1" = 25.4 mm, e.g., 1-3/4" = 44.45 mm)

**ASSA ABLOY**

DRAWN BY _____ DATE _____		_____		_____	
CHK'D BY _____ DATE _____		_____		_____	
SHT _____ OF _____	CONTRACT NO. _____	ISSUE DATE _____	REVISIONS _____	BY _____	

**SERIES DQ & DU BORROWED LITE**  
(KNOCK-DOWN SLIP-ON DRYWALL FRAMES)