

PROFILE SIZES

DEPTHS	
(Dim A) DOUBLE RABBET	4-5/8" thru 17-7/8"

FACES --- STANDARD --- K.D. or WELDED ...
 Jams: 2"; Head 2"

FACES --- OPTIONAL --- K.D. or WELDED ...
 Jams and Head (equal): 1" thru 1-7/8"
 Jams: 2"; Head: 2-1/8" thru 4"

FACES --- OPTIONAL --- WELDED ...
 Jams and Head (equal): 2-1/8" thru 4"
 Jams: 2"; Head: 1" thru 1-7/8"

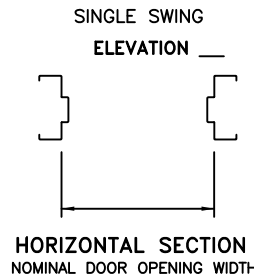
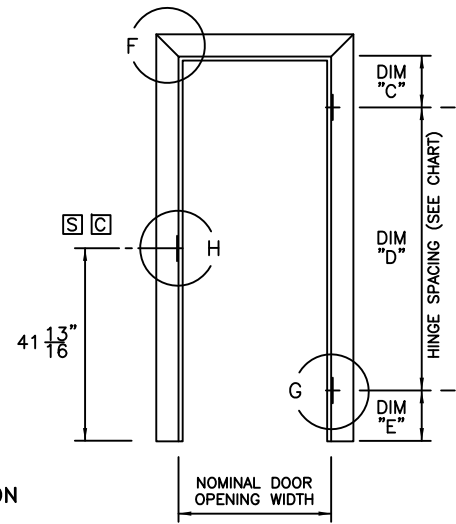
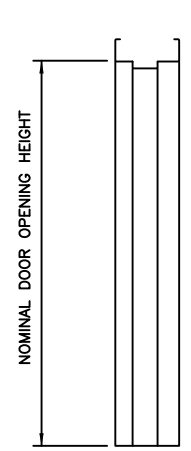
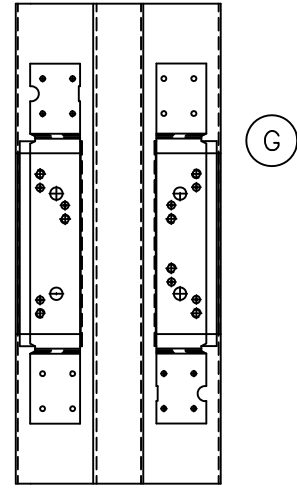
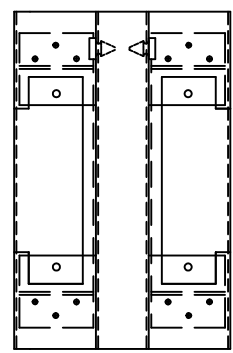
Range of sizes are in increments of 1/8".

HINGE SPACING

OPENING HEIGHT	6'-8"			7'-0"			7'-2"			7'-10"			8'-0"			9'-0"			10'-0"		
	C	D	E	C	D	E	C	D	E	C	D	E	C	D	E	C	D	E	C	D	E
1-3/4" STANDARD	9"	(2) AT 31"	9"	9"	(2) AT 33"	9"	9"	(2) AT 34"	9"	9"	(3) AT 25.33"	9"	9"	(3) AT 26"	9"	9"	(3) AT 30"	9"	9"	(3) AT 34"	9"

Cold rolled steel is standard.
 Galvannealed or galvanized steel is optional.

- HINGE SAME JAMB (SHOWN)
- HINGE ON OPPOSITE JAMBS



LABELING AGENCIES
 UL LLC
 Warnock Hersey
 Factory Mutual

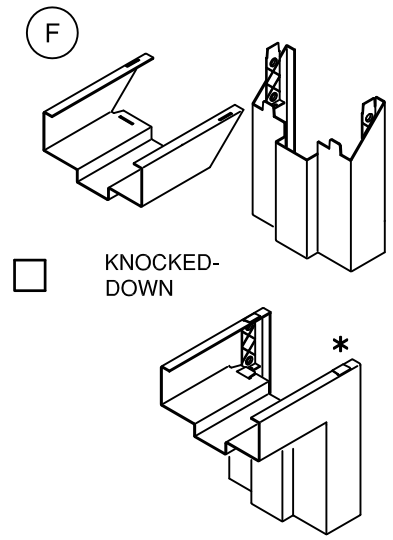
FIRE TESTS
 NFPA 252, UL10B, UL10C
 & UL1784

See Tech Data Manual for additional information.

- [S]** UNIVERSAL (4-7/8") (shown)
 ANSI A115.1 & 2 TEMPLATE
 16 GAGE STEEL REINFORCING
 WITH EXTRUDED SCREW HOLES
 EQUAL TO 14 GAGE (STANDARD)
- [C]** CYLINDRICAL (2-3/4") (not shown)
 ANSI A115.3 TEMPLATE
 16 GAGE STEEL REINFORCING
 WITH EXTRUDED SCREW HOLES
 EQUAL TO 14 GAGE.
 OPTIONAL FOR 1-3/4" DOORS)

- 4-1/2" x .134" (STANDARD)
- 4-1/2" x .180" (OPTIONAL)
- ANSI A156.7 TEMPLATE
- 7 GAGE STEEL REINFORCING
- 5" x .146" (OPTIONAL)
- 5" x .190" (OPTIONAL)
- ANSI A156.7 TEMPLATE
- 7 GAGE STEEL REINFORCING

Frames are for 1-3/4" thick doors.



- WELDED CORNERS TYPE _____

* Production welded corner types with "V" prefix do not utilize corner tabs.

Frames with welded corners have temporary spreaders tackwelded at sill.

STANDARD FRAMES HAVE THE FOLLOWING HINGE PREP QUANTITY:
 7'-6" HIGH OR SMALLER: (3) HINGE PREPS
 HIGHER THAN 7'-6": (4) HINGE PREPS

CecoDoor (Conversion: 1" = 25.4 mm, e.g., 1-3/4" = 44.45 mm)

ASSA ABLOY

DRAWN BY _____ DATE _____
 CHK'D BY _____ DATE _____

SHT _____ CONTRACT NO. _____
 OF _____

ISSUE DATE _____ REVISIONS _____ BY _____

SERIES SQ STEEL FRAMES COMMUNICATING

(FIRE DOOR FRAMES MUST COMPLY WITH PROCEDURES OF LABELING AGENCY)
 Series SQ frames are available as shown for three sided Communicating frames

Furnished with one coat of neutral color primer paint.
 Primer paint has been tested in conformance with ANSI A250.10.

FOR HAND & SWING SEE DOOR SCHEDULE	
FOR ANCHORAGE SEE DOOR SCHEDULE & ANCHOR SHEET	

Experience a safer and more open world