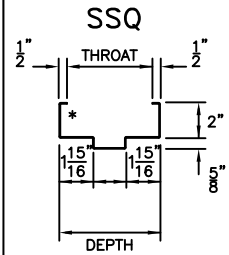


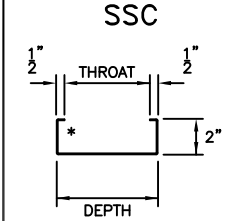
SERIES/PROFILES

(For 1-3/4" DOORS)

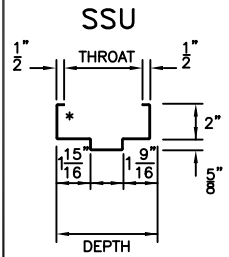
EQUAL RABBET



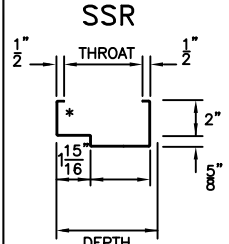
CASED OPENING



UNEQUAL RABBET

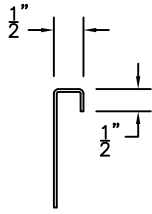


SINGLE RABBET



PROFILE SIZES

PROFILE	DEPTH
SSC, SSQ, SSU	4-5/8" - 14"
SSR	3-1/2" - 6"



* OPTIONAL BACKBEND for SERIES SBQ, SBU, SBR & SBC

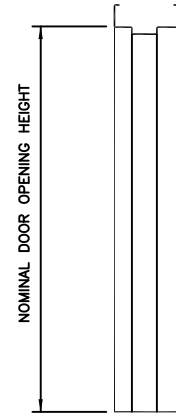
WELDED CORNER FINISH NOTES:

Standard grain runs vertically on frame faces and jamb rabbets & soffits, but perpendicular to the head face at the head rabbets & soffit.

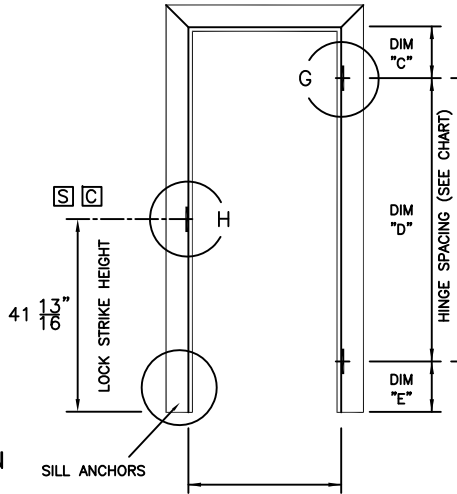
HINGE SPACING

OPENING HEIGHT	6'-8"			7'-0"			7'-2"			7'-10"			8'-0"			9'-0"			10'-0"					
	C	D	E	C	D	E	C	D	E	C	D	E	C	D	E	C	D	E	C	D	E			
HINGE SPACING LOCATIONS	9"	(2) AT 31"	9"	9"	(2) AT 33"	9"	9"	(2) AT 34"	9"	9"	(3) AT 25.33"	9"	9"	(3) AT 26"	9"	9"	(3) AT 26"	9"	9"	(3) AT 26"	9"	9"	(3) AT 34"	9"

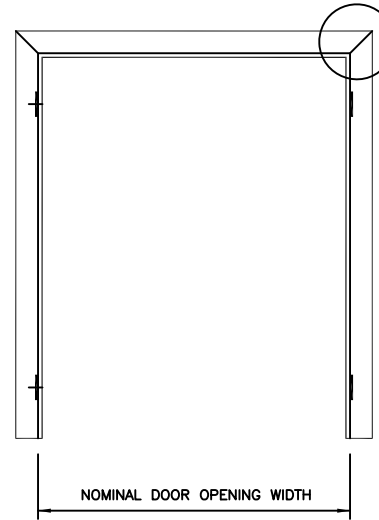
NAAMM type hardware locations ("5-10 and equal" hinge spacing and 38" from strike center-line to floor) are also available.



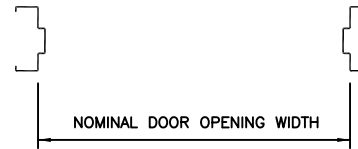
VERTICAL SECTION



SINGLE SWING ELEVATION

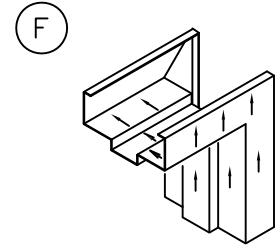


DOUBLE SWING ELEVATION



HORIZONTAL SECTION

CORNER



Standard grain runs vertically on frame faces and jamb rabbets & soffits, but perpendicular to the head rabbets and soffit. Horizontal grain in frame head is optional.

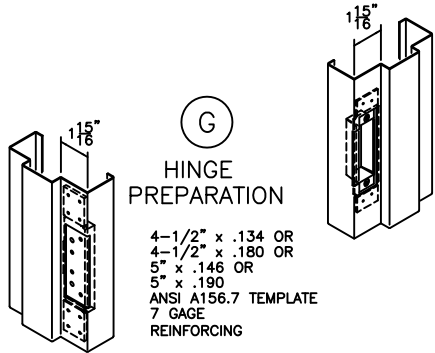
Corner joints are mitered, stainless welded, and ground smooth.

STAINLESS STEEL (ASTM A240) MATERIAL
16 Gage 14 Gage 12 Gage

Alloy and Finish ...

304 316

- #4 BRUSHED
- #6 FINE
- #8 MIRROR
- #2B PAINT GRADE
- XL BLEND



HINGE PREPARATION

LOCK STRIKE PREPARATION

- (STANDARD) UNIVERSAL (4-7/8") ANSI A115.1 & 2 TEMPLATE REINFORCING-11 GAGE
- (OPTIONAL) CYLINDRICAL (2-3/4") ANSI A115.3 TEMPLATE REINFORCING-11 GAGE

CecoDoor (Conversion: 1" = 25.4 mm, e.g., 1-3/4" = 44.45 mm)

ASSA ABLOY

DRAWN BY _____ DATE _____
CHK'D BY _____ DATE _____

SHT _____ CONTRACT NO. _____
OF _____

ISSUE DATE

REVISIONS

BY

SERIES SSQ, SSU, SSR & SSC STAINLESS STEEL FRAMES

(FIRE DOOR FRAMES MUST COMPLY WITH PROCEDURES OF LABELING AGENCY)

(FRAMES ARE CRATED FOR SHIPMENT)

LABELING AGENCIES

UL LLC

FIRE TESTS

UL10B, UL10C, UL1784 & NFPA252

FOR HAND & SWING

SEE DOOR SCHEDULE



FOR ANCHORAGE

SEE DOOR SCHEDULE & ANCHOR SHEET

