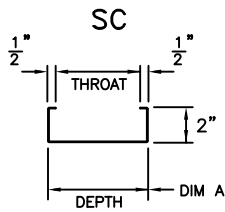
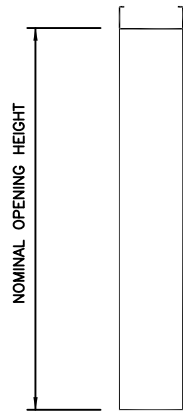


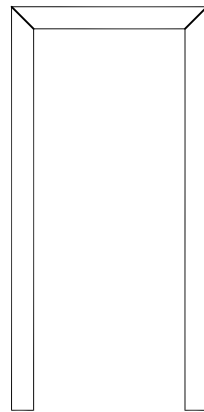
SERIES/PROFILE



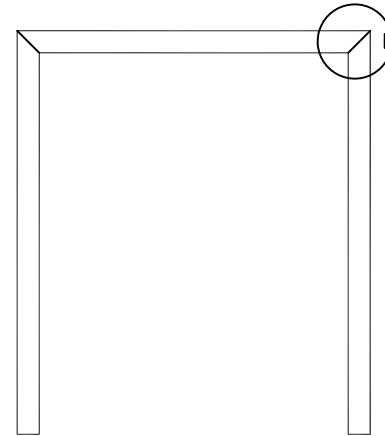
18 GA 16 GA 14 GA



VERTICAL SECTION



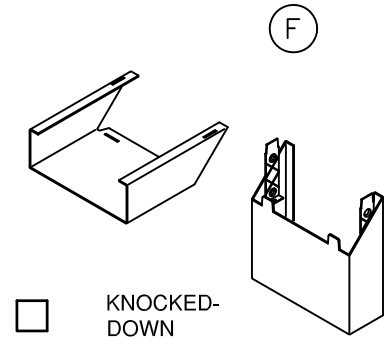
NOMINAL OPENING WIDTH
SINGLE SWING
ELEVATION



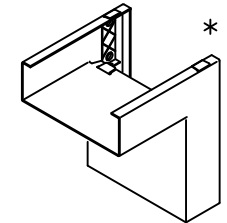
NOMINAL OPENING WIDTH
DOUBLE SWING
ELEVATION



NOMINAL OPENING WIDTH
HORIZONTAL SECTION



KNOCKED-DOWN



WELDED CORNERS
TYPE _____
V2 = FACE WELD ONLY
V3 = FULL FACE & WEB WELD

* Production welded corner types with "V" prefix do not utilize corner tabs.

Frames with welded corners have temporary spreaders tackwelded at sill.

Series SC DEPTHS	
DIM A	3" THRU 17-7/8"

Cold rolled steel is standard.
Galvannealed and galvanized steel are optional.

CecoDoor (Conversion: 1" = 25.4 mm, e.g., 1-3/4" = 44.45 mm)

ASSA ABLOY

DRAWN BY _____	DATE _____			
CHK'D BY _____	DATE _____			
SHT _____	CONTRACT NO. _____	ISSUE DATE _____	REVISIONS _____	BY _____

SERIES/PROFILE SC
CASED OPENING FRAMES

FURNISHED WITH ONE COAT OF NEUTRAL COLOR PRIMER PAINT.
PRIME PAINT HAS BEEN TESTED IN CONFORMANCE WITH ANSI A250.10.

FOR ANCHORAGE
SEE DOOR SCHEDULE &
ANCHOR SHEET

