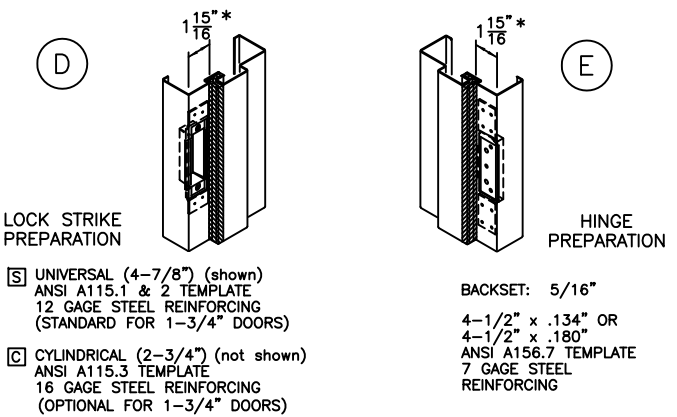
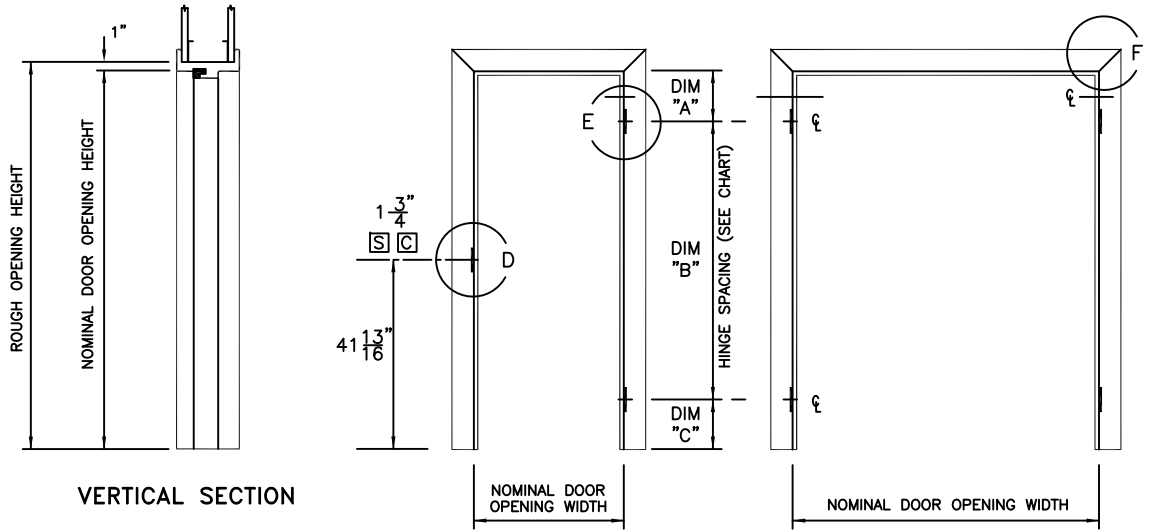
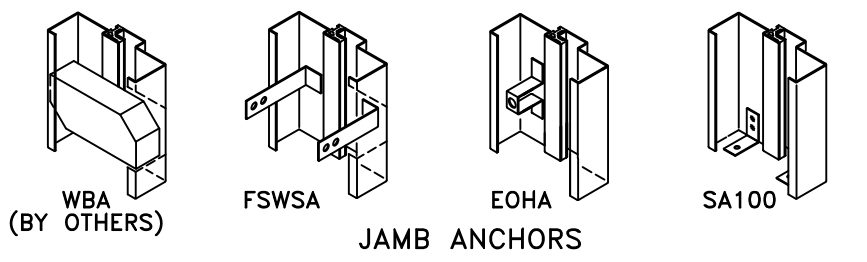


Cold rolled steel is standard. Galvannealed and galvanized steel is optional.



HINGE SPACING

OPENING HEIGHT	6'8"			7'0"			7'2"			7'10"			8'0"		
	A	B	C	A	B	C	A	B	C	A	B	C	A	B	C
1 3/4" STANDARD	9"	(2) AT 31"	9"	9"	(2) AT 33"	9"	9"	(2) AT 34"	9"	9"	(3) AT 25.33"	9"	9"	(3) AT 26"	9"



SERIES SQT/SRT DEPTHS

(Dim D)	Double Rabbet: 5-3/4" thru 12-3/4"
(Dim E)	Single Rabbet: 3-3/4" thru 5-5/8"

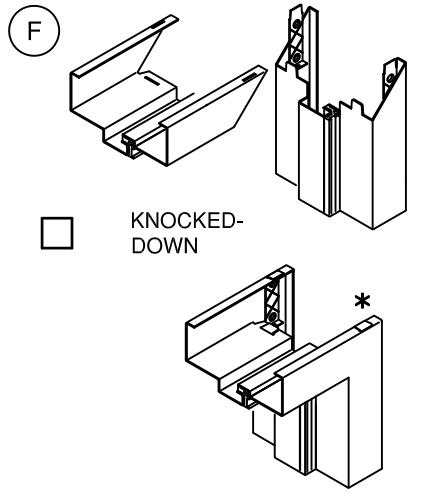
NOTE: CLOSER REINFORCING, PER MANUFACTURER'S SPECIFICATIONS, MAY NOT BE POSSIBLE.



ASSA ABLOY (Conversion: 1" = 25.4 mm, e.g., 1-3/4" = 44.45 mm)

DRAWN BY _____	DATE _____			
CHK'D BY _____	DATE _____			
SHT _____ OF _____	CONTRACT NO. _____	ISSUE DATE _____	REVISIONS _____	BY _____

SERIES SQT & SRT THERMAL BREAK FRAMES
(FOR 1-3/4" THICK DOORS)



V2 = FACE WELD ONLY
V3 = FULL FACE & WEB WELD

Frames with welded corners have temporary spreaders tackwelded at sill.

FOR HAND & SWING	
SEE DOOR SCHEDULE	