

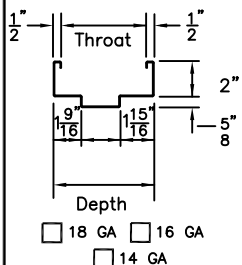
DRYWALL SERIES

DU (for 1-3/4" DOOR)

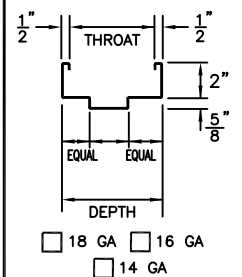
DQ (for 1-3/4" DOOR)

PROFILES

DU



DQ



LABELING AGENCIES
UL LLC
Warnock Hersey
Factory Mutual

TEST STANDARDS
NFPA 252, UL10B, UL10C
& UL1784

Cold rolled steel is standard.
Galvanized and galvanized steel are optional.

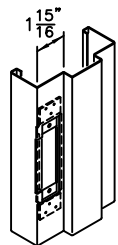


ASSA ABLOY

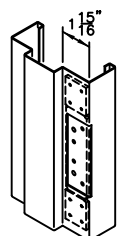
(Conversion: 1" = 25.4 mm, e.g., 1-3/4" = 44.45 mm)

DRAWN BY _____ DATE _____		_____		_____	
CHK'D BY _____ DATE _____		_____		_____	
SHT _____ OF _____	CONTRACT NO. _____	ISSUE DATE _____	REVISIONS _____	BY _____	

Experience a safer and more open world



S UNIVERSAL (4-7/8")
ANSI A115.1
& 2 TEMPLATE 12 GAGE
STEEL REINFORCING
(STANDARD FOR
1-3/4" DOORS)

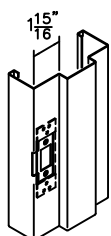


E

HINGE PREPARATION

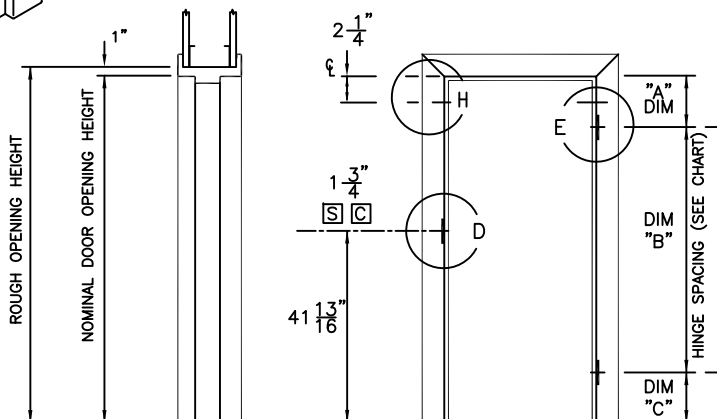
BACKSET: 5/16"
4-1/2" x .134" OR
4-1/2" x .180"
ANSI A156.7 TEMPLATE
7 GAGE STEEL
REINFORCING
(STANDARD FOR
1-3/4" DOORS)

D LOCK STRIKE PREPARATION



SEE PLASTER GUARD NOTE

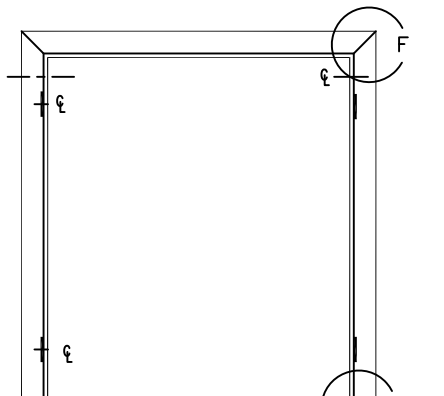
C CYLINDRICAL (2-3/4")
ANSI A115.3 TEMPLATE
16 GAGE STEEL REINFORCING
(OPTIONAL FOR 1-3/4" DOORS)



VERTICAL SECTION

NOMINAL DOOR OPENING WIDTH

SINGLE SWING ELEVATION



HORIZONTAL SECTION

SERIES DQ & DU DRYWALL FRAMES
(SLIP-ON DRYWALL FRAMES)

HINGE SPACING

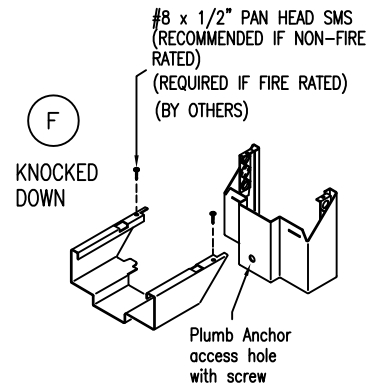
OPENING HEIGHT	6'8"			7'0"			7'2"			7'10"			8'0"			9'0"		
	A	B	C	A	B	C	A	B	C	A	B	C	A	B	C	A	B	C
1 3/4" STANDARD	9"	(2) AT 31"	9"	9"	(2) AT 33"	9"	9"	(2) AT 34"	9"	9"	(3) AT 25.33"	9"	9"	(3) AT 26"	9"	9"	(3) AT 30"	9"

NOTE-PLASTER GUARDS:

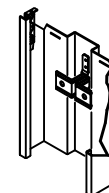
STRIKE PLASTER GUARDS (SNAP-IN TYPE) ARE OPTIONAL.

1" DEEP

- STEEL/WOOD STUD AND DRYWALL CONSTRUCTION METHODS, IN CONJUNCTION WITH FRAME ANCHORAGE, COULD RESULT IN INTERFERENCE BETWEEN THE STUD AND HARDWARE PREP. NOTCHING OF THE STUD COULD RESULT IN COMPROMISING THE STABILITY OF THE FRAME. CONSIDERATION SHOULD BE GIVEN TO SPECIFYING THE HARDWARE SUITABLY SIZED TO FIT THE CONFINES OF A STANDARD FRAME OR SPECIFYING ALTERNATE FRAME PROFILES TO ACCOMMODATE THE HARDWARE.
- IF NECESSARY TO REMOVE, PLASTER GUARDS ARE BEST REMOVED BEFORE FRAME INSTALLATION.

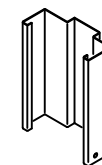


H ADJUSTABLE PLUMB ANCHOR



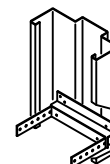
ONE EACH JAMB FOR OPENING HEIGHTS THRU 7'2". ONE ADDITIONAL FOR OPENING HEIGHTS >7'2".
Adjust with screw driver

G STANDARD SILL ANCHOR



DIMPLED HOLE FOR #10 FH FASTENER. FASTENERS ARE BY CONTRACTOR AND SHOULD BE LONG ENOUGH TO ENGAGE STUD.

G1 OPTIONAL SILL STRAP ANCHOR



FASTENERS ARE BY CONTRACTOR AND SHOULD ENGAGE STUD.

FOR HAND & SWING
SEE DOOR SCHEDULE

