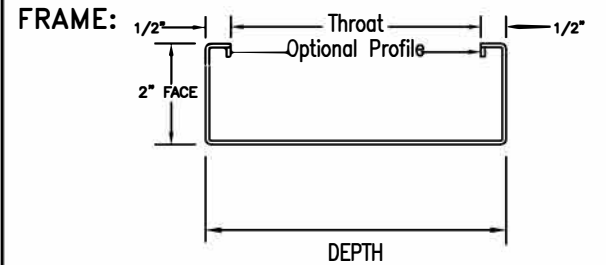
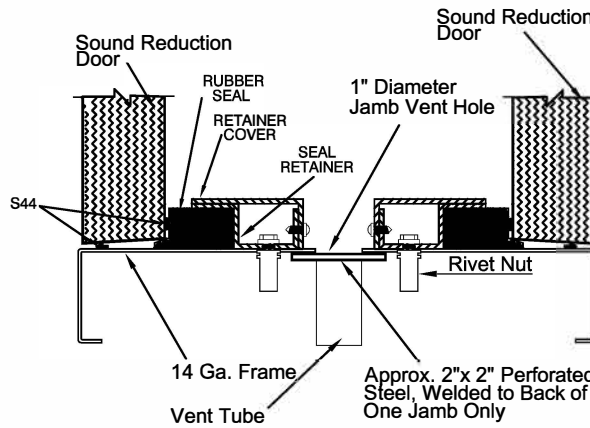
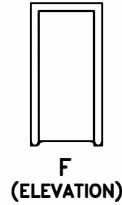
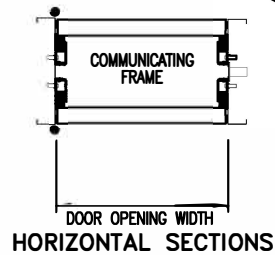


FLUSH DOOR DESIGN



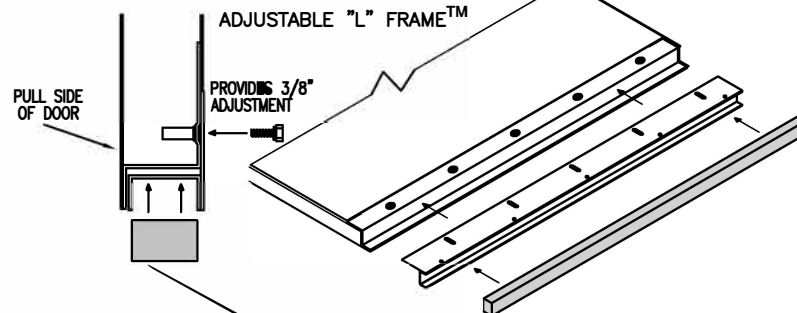
GAUGE & FINISH:
 14 GALVANNEALED
 12 GALVANNEALED

CORNERS: CONTINUOUSLY WELDED



7/8" UNDERCUT

DOOR BOTTOM CONSTRUCTION



EPDM RUBBER SEAL (BY CECO) ATTACHED WITH INDUSTRIAL ADHESIVE

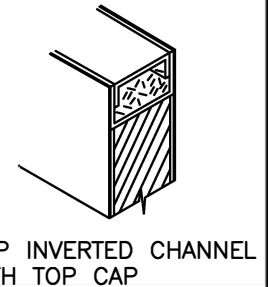
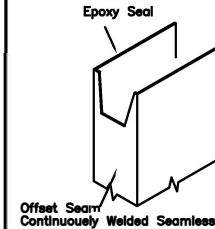
DOOR/FRAME SEAL SET 66:
 PEMKO S44, RUBBER SEALS, DOOR BOTTOM & PEMKO 1547 THRESHOLD

DOOR:

GAUGE & FINISH:
 16 GALVANNEALED
 14 GALVANNEALED

EDGES

VERTICAL: OFFSET SEAM, CONTINUOUSLY WELDED SEAMLESS



SINGLE DOORS STC RATING						
<input type="checkbox"/> 56	<input type="checkbox"/> 57	<input type="checkbox"/> 58	<input type="checkbox"/> 59	<input type="checkbox"/> 60	<input type="checkbox"/> 61	<input type="checkbox"/> 62
<input type="checkbox"/> 63	<input type="checkbox"/> 64	<input type="checkbox"/> 65	<input type="checkbox"/> 66			

- DOORS HINGE ON SAME JAMB
- DOORS HINGE ON OPPOSITE JAMBS

NOTES: THE ONLY PREPS ALLOWED IN THE HEADER ARE SURFACE CLOSER REINFORCEMENTS. FRAME MUST BE GROUT FILLED. STC LABEL WILL BE APPLIED TO THE DOOR ONLY.

FIRE RATINGS ARE NOT AVAILABLE

**COMMUNICATING STC 56-66+
 1 3/4" Sound-Tech Xpress,
 Model AS66C
 Acoustical Door System**



ASSA ABLOY (Conversion: 1" = 25.4 mm, e.g., 1-3/4" = 44.45 mm)

FOR HAND & SWING
 SEE DOOR SCHEDULE

FOR ANCHORAGE
 SEE DOOR SCHEDULE & ANCHOR SHEET



DRAWN BY _____	DATE _____			
CHK'D BY _____	DATE _____			
SHT _____	CONTRACT NO. _____	ISSUE DATE _____	REVISIONS _____	BY _____

NOTE: FOR DESIGN, OR HDWE. REQUIRED, SEE DOOR AND HDWE. SCHEDULE.

FINISH:

ACOUSTICAL PERFORMANCE

STANDARD PRIMER PAINT; TESTED IN CONFORMANCE WITH ANSI A250.10

DOOR SYSTEM TESTED IN CONFORMANCE WITH ASTM E2235, ASTM E1332
 ASTM E90 & E413, FULLY OPERABLE, STC AS NOTED ABOVE.
 DOOR SYSTEMS ARE IN COMPLIANCE WITH HMM 865 & SDI-128 SPECIFICATIONS.

HDWE PREPS:

HINGES:

5" GRAVITY GLIDE CAM LIFT HINGES PROVIDED WITH DOORS & FRAME

LOCKS:

CYLINDRICAL ONLY (3-3/4" BACKSET)
 ROSE SIZE: 3-1/2" MAX.

STRIKES: 4-7/8" ANSI A115.1 & A115.2