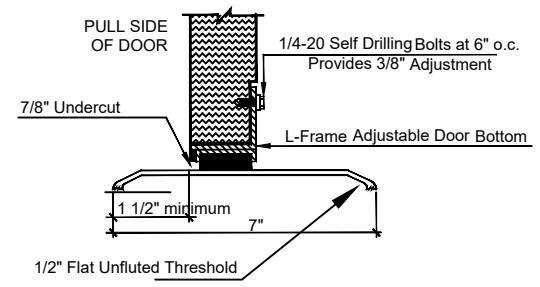
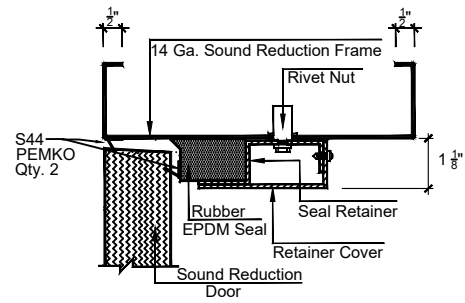
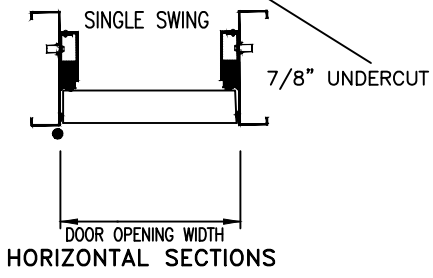


MODEL AS49C UTILIZES "ADJ" PROFILE FRAME
 (SEAL SET RCG FOR SINGLES, RCGP FOR PAIRS)



VERTICAL SECTION



SINGLE FLUSH DOOR STC RATING		
<input type="checkbox"/> 47	<input type="checkbox"/> 48	<input type="checkbox"/> 49

NOTES: MUTES ARE NOT ALLOWED. THE ONLY PREPS ALLOWED IN THE HEADER ARE SURFACE CLOSER REINFORCEMENTS. FRAME MUST BE GROUT FILLED. STC LABEL WILL BE APPLIED TO THE DOOR ONLY.

- PERIMETER SEALS, RETAINER, DOOR BOTTOM, THRESHOLD AND ACOUSTICAL ASTRAGAL (AT PAIRS) PROVIDED WITH DOOR AND FRAME.
- POTENTIAL SOUND LOSS FOR PAIRS = 5 STC POINTS
- POTENTIAL SOUND LOSS FOR NARROW VISIONS UP TO 300² = 2 STC POINTS.

FIRE RATING NOT AVAILABLE

SEE WWW.CECODOOR.COM FOR INSTALLATION INSTRUCTIONS.



ASSA ABLOY (Conversion: 1" = 25.4 mm, e.g., 1-3/4" = 44.45 mm)

STC 47-49

1 3/4" Sound-Tech Xpress, Acoustical Door System

FOR HAND & SWING
 SEE DOOR SCHEDULE

FOR ANCHORAGE
 SEE DOOR SCHEDULE & ANCHOR SHEET

DRAWN BY _____	DATE _____			
CHK'D BY _____	DATE _____			
SHT _____	CONTRACT NO. _____	ISSUE DATE _____	REVISIONS _____	BY _____
OF _____				

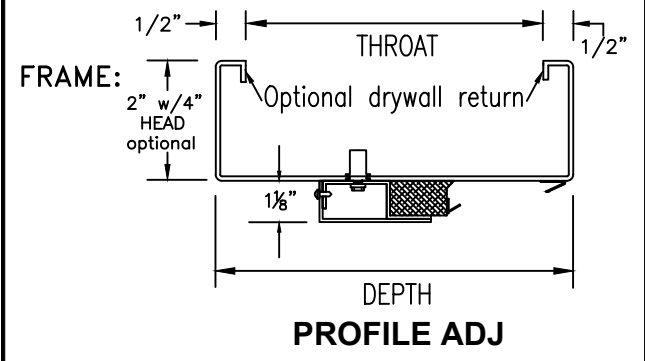
NOTE: FOR DESIGN, OR HDWE. REQUIRED, SEE DOOR AND HDWE. SCHEDULE.

FINISH: ACOUSTICAL PERFORMANCE

STRIKE: 4-7/8" ANSI A115.1, A115.2 or REINFORCE for RIM EXIT

STANDARD PRIMER PAINT; TESTED IN CONFORMANCE WITH ANSI A250.10

DOOR SYSTEM TESTED IN CONFORMANCE WITH ASTM E2235, ASTM E1332 ASTM E90 & E413, FULLY OPERABLE, STC AS NOTED ABOVE. DOOR SYSTEMS ARE IN COMPLIANCE WITH HMMMA 865 & SDI-128 SPECIFICATIONS.



GAUGE & FINISH:

14 GALVANNEALED

12 GALVANNEALED

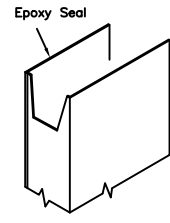
CORNERS: CONTINUOUSLY WELDED

DOOR: GAUGE & FINISH:

16 GALVANNEALED

14 GALVANNEALED

EDGES VERTICAL: OFFSET SEAM CONTINUOUSLY WELDED SEAMLESS



TOP & BOTTOM: INVERTED CHANNELS WITH TOP & BOTTOM CAP

HDWE PREPS:

HINGES: GRAVITY GLIDE CAM-LIFT HINGES PROVIDED WITH DOOR AND FRAME

LOCK: CYLINDRICAL LOCK ANSI A115.2 3-3/4" BACKSET OPTIONAL: CYLINDRICAL & MORTISE DEADLOCK