

| SINGLE FLUSH DOOR STC RATING | | | | |
|------------------------------|-----------------------------|-----------------------------|-----------------------------|-----------------------------|
| <input type="checkbox"/> 42 | <input type="checkbox"/> 43 | <input type="checkbox"/> 44 | <input type="checkbox"/> 45 | <input type="checkbox"/> 46 |

NOTES: MUTES ARE NOT ALLOWED. THE ONLY PREPS ALLOWED IN THE HEADER ARE SURFACE CLOSER REINFORCEMENTS. FRAME MUST BE GROUT FILLED. STC LABEL WILL BE APPLIED TO THE DOOR ONLY.

FIRE RATING NOT AVAILABLE

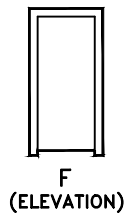
SEE WWW.CECODOOR.COM FOR INSTALLATION INSTRUCTIONS.



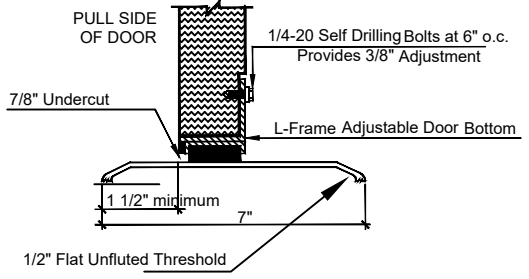
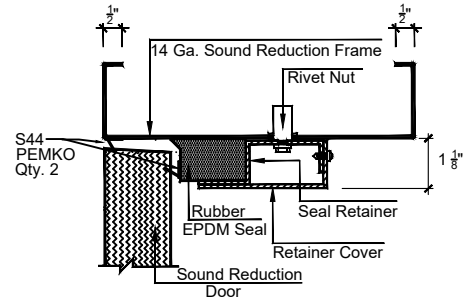
ASSA ABLOY (Conversion: 1" = 25.4 mm, e.g., 1-3/4" = 44.45 mm)

| | | | | |
|----------------|--------------------|------------------|-----------------|----------|
| DRAWN BY _____ | DATE _____ | | | |
| CHK'D BY _____ | DATE _____ | | | |
| SHT _____ | CONTRACT NO. _____ | ISSUE DATE _____ | REVISIONS _____ | BY _____ |

FLUSH DOOR DESIGN



MODEL AS46C UTILIZES "ADJ" PROFILE FRAME (SEAL SET RCG FOR SINGLES, RCGP FOR PAIRS)



VERTICAL SECTION

- PERIMETER SEALS, RETAINER, DOOR BOTTOM, THRESHOLD AND ACOUSTICAL ASTRAGAL (AT PAIRS) PROVIDED WITH DOOR AND FRAME.
- POTENTIAL SOUND LOSS FOR PAIRS = 5 STC POINTS
- POTENTIAL SOUND LOSS FOR NARROW VISIONS UP TO 300² = 2 STC POINTS.

STC 42-46
1 3/4" Sound-Tech Xpress, Acoustical Door System

FOR HAND & SWING
SEE DOOR SCHEDULE



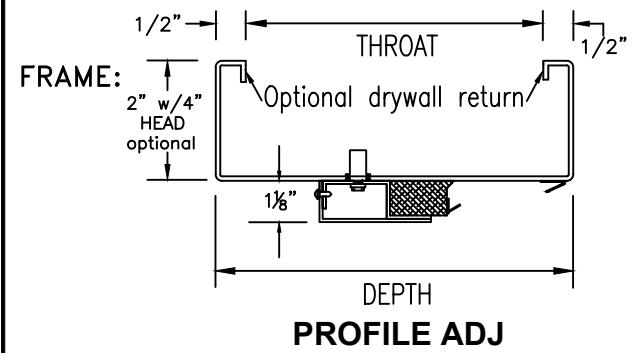
FOR ANCHORAGE
SEE DOOR SCHEDULE & ANCHOR SHEET



NOTE: FOR DESIGN, OR HDWE. REQUIRED, SEE DOOR AND HDWE. SCHEDULE.

FINISH:
ACOUSTICAL PERFORMANCE

STANDARD PRIMER PAINT; TESTED IN CONFORMANCE WITH ANSI A250.10
DOOR SYSTEM TESTED IN CONFORMANCE WITH ASTM E2235, ASTM E1332, ASTM E90 & E413, FULLY OPERABLE, STC AS NOTED ABOVE.
DOOR SYSTEMS ARE IN COMPLIANCE WITH HMMMA 865 & SDI-128 SPECIFICATIONS.

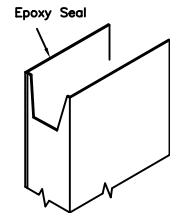


GAUGE & FINISH:
 14 GALVANNEALED
 12 GALVANNEALED

CORNERS: CONTINUOUSLY WELDED

DOOR: GAUGE & FINISH:
 16 GALVANNEALED
 14 GALVANNEALED

EDGES
 VERTICAL: OFFSET SEAM CONTINUOUSLY WELDED SEAMLESS



TOP & BOTTOM: INVERTED CHANNELS WITH TOP & BOTTOM CAP

HDWE PREPS:

HINGES:
GRAVITY GLIDE CAM-LIFT HINGES PROVIDED WITH DOOR AND FRAME

LOCK:
CYLINDRICAL LOCK ANSI A115.2 3-3/4" BACKSET
OPTIONAL: CYLINDRICAL & MORTISE DEADLOCK

STRIKE: 4-7/8" ANSI A115.1, A115.2 or REINFORCE for RIM EXIT