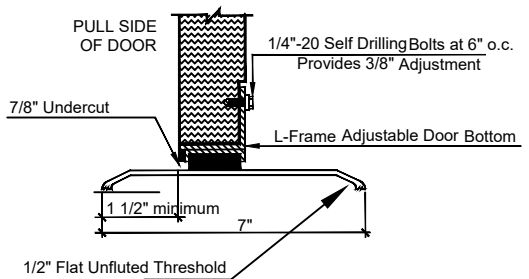
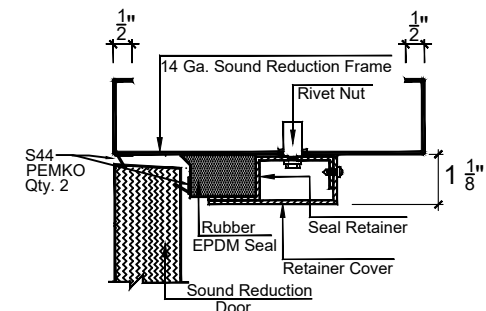


MODEL AS41C UTILIZES "ADJ" PROFILE FRAME
(SEAL SET RCG FOR SINGLES, RCGP FOR PAIRS)



SINGLE FLUSH DOOR STC RATING					
<input type="checkbox"/> 30	<input type="checkbox"/> 31	<input type="checkbox"/> 32	<input type="checkbox"/> 33	<input type="checkbox"/> 34	<input type="checkbox"/> 35
<input type="checkbox"/> 36	<input type="checkbox"/> 37	<input type="checkbox"/> 38	<input type="checkbox"/> 39	<input type="checkbox"/> 40	<input type="checkbox"/> 41

NOTES: MUTES ARE NOT ALLOWED. THE ONLY PREPS ALLOWED IN THE HEADER ARE SURFACE CLOSER REINFORCEMENTS. FRAME MUST BE GROUT FILLED. STC LABEL WILL BE APPLIED TO THE DOOR ONLY.

- PERIMETER SEALS, RETAINER, DOOR BOTTOM, THRESHOLD AND ACOUSTICAL ASTRAGAL (AT PAIRS) PROVIDED WITH DOOR AND FRAME.
- POTENTIAL SOUND LOSS FOR PAIRS = 5 STC POINTS
- POTENTIAL SOUND LOSS FOR NARROW VISIONS UP TO 300 in² = 2 STC POINTS.

FIRE RATING NOT AVAILABLE

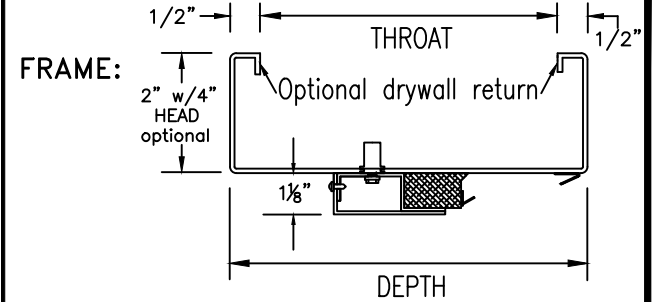
SEE WWW.CECODOOR.COM FOR INSTALLATION INSTRUCTIONS.



ASSA ABLOY (Conversion: 1" = 25.4 mm, e.g., 1-3/4" = 44.45 mm)

STC UP TO 41

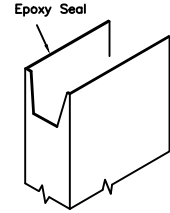
1 3/4" Sound-Tech Xpress, Acoustical Door System



- PROFILE ADJ**
- GAUGE & FINISH:
- 14 GALVANNEALED
 - 12 GALVANNEALED
 - 14 GALVANIZED
 - 12 GALVANIZED
- CORNERS: CONTINUOUSLY WELDED

- DOOR:** GAUGE & FINISH:
- 16 GALVANNEALED
 - 14 GALVANNEALED
 - 16 GALVANIZED
 - 14 GALVANIZED

EDGES
VERTICAL: OFFSET SEAM CONTINUOUSLY WELDED SEAMLESS



TOP & BOTTOM: INVERTED CHANNELS WITH TOP & BOTTOM CAP

HDWE PREPS:

HINGES:
GRAVITY GLIDE CAM-LIFT HINGES PROVIDED WITH DOOR AND FRAME

LOCK:
CYLINDRICAL LOCK ANSI A115.2 3-3/4" BACKSET
OPTIONAL: CYLINDRICAL & MORTISE DEADLOCK

STRIKE: 4-7/8" ANSI A115.1, A115.2 or REINFORCE for RIM EXIT

DRAWN BY _____	DATE _____			
CHK'D BY _____	DATE _____			
SHT _____	CONTRACT NO. _____	ISSUE DATE _____	REVISIONS _____	BY _____

FOR HAND & SWING SEE DOOR SCHEDULE		FOR ANCHORAGE SEE DOOR SCHEDULE & ANCHOR SHEET	
---------------------------------------	--	---	--

NOTE: FOR DESIGN, OR HDWE. REQUIRED, SEE DOOR AND HDWE. SCHEDULE.	FINISH: STANDARD PRIMER PAINT; TESTED IN CONFORMANCE WITH ANSI A250.10
ACOUSTICAL PERFORMANCE	DOOR SYSTEM TESTED IN CONFORMANCE WITH ASTM E2235, ASTM E1332, ASTM E90 & E413, FULLY OPERABLE, STC AS NOTED ABOVE. DOOR SYSTEMS ARE IN COMPLIANCE WITH HMMA 865 & SDI-128 SPECIFICATIONS.

Experience a safer and more open world