

STC RATING DOUBLE DOORS

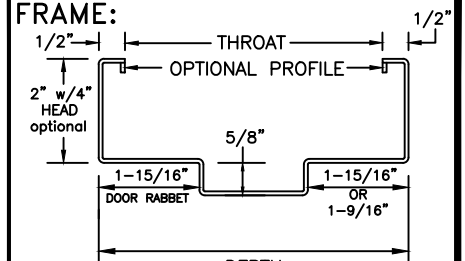
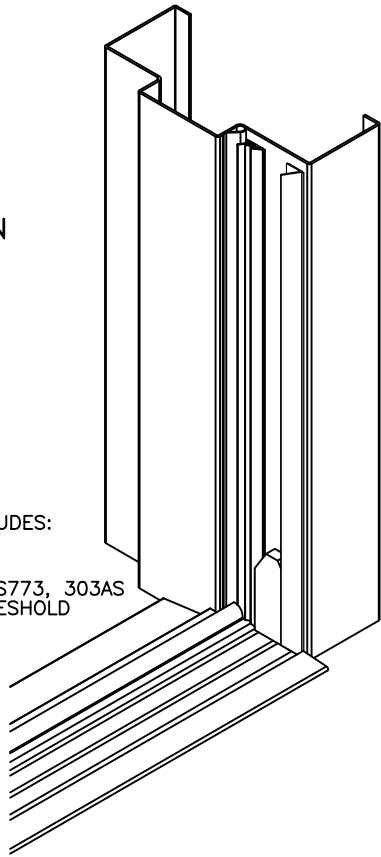
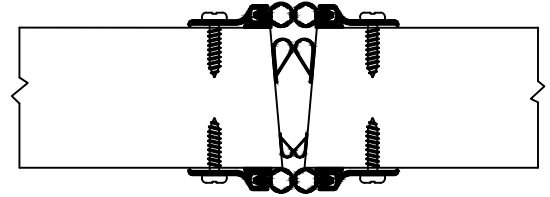
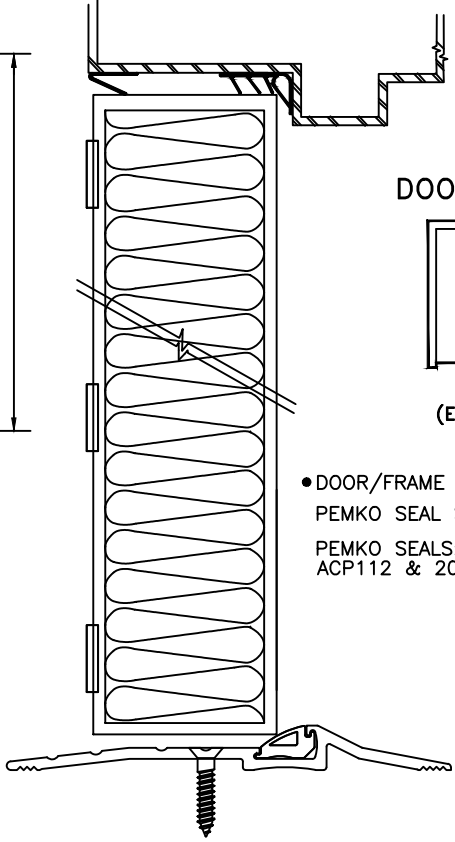
48 49

NOTES:
 MUTES ARE NOT ALLOWED. THE ONLY PREPS ALLOWED IN THE HEADER ARE SURFACE CLOSER REINFORCEMENTS. FRAME MUST BE GROUT FILLED. STC LABEL WILL BE APPLIED TO THE DOORS ONLY.

•INDUSTRY STANDARD CONSTRUCTION TOLERANCES FOR SQUARENESS OF FRAME INSTALLATION, PLUMBNESS OF WALLS, FLATNESS OF FLOORS, FLANKING, ETC. MAY RESULT IN A DIFFERENCE OF 3dB - 5dB SOUND LOSS IN A FIELD TEST VERSUS LAB TEST.

STC 48 & 49 FIRE RATING NOT AVAILABLE

VERTICAL SECTION



GUAGE:

16 COLD ROLLED STEEL
 14 COLD ROLLED STEEL
 16 GALVANNEALED
 14 GALVANNEALED

CORNERS: CONTINUOUSLY WELDED

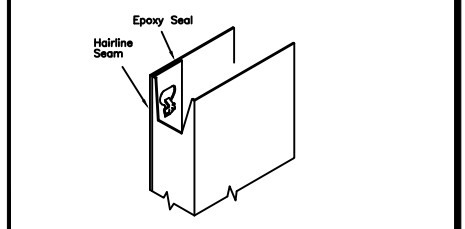
DOOR:

GUAGE:

18 COLD ROLLED STEEL
 18 GALVANNEALED
 16 COLD ROLLED STEEL
 18 GALVANNEALED

EDGES

VERTICAL: MECHANICALLY INTERLOCKED HEMMED EDGES



TOP & BTM: INVERTED CHANNELS with TOP & BOTTOM CAP

HDWE PREPS:

HINGES:
 4.5" x .134, 4.5" x .180, 5" x .146 or 5" x .190, FULL MORTISE, ANSI A156.7

LOCK:
 STC 48 & 49 SURFACE VERTICAL ROD X SURFACE VERTICAL ROD CLOSERS: SURFACE MOUNTED



ASSA ABLOY (Conversion: 1" = 25.4 mm, e.g., 1-3/4" = 44.45 mm)

DRAWN BY _____	DATE _____			
CHK'D BY _____	DATE _____			
SHT _____	CONTRACT NO. _____	ISSUE DATE _____	REVISIONS _____	BY _____

FOR HAND & SWING
 SEE DOOR SCHEDULE

FOR ANCHORAGE
 SEE DOOR SCHEDULE & ANCHOR SHEET

NOTE: FOR DESIGN, OR HDWE. REQUIRED, SEE DOOR AND HDWE. SCHEDULE.

FINISH:
 STANDARD PRIMER PAINT; TESTED IN CONFORMANCE WITH ANSI A250.10

ACOUSTICAL PERFORMANCE
 DOOR SYSTEM TESTED IN CONFORMANCE WITH ASTM E2235, ASTM E1332, ASTM E90 & E413, FULLY OPERABLE, STC AS NOTED ABOVE. DOOR SYSTEMS ARE IN COMPLIANCE WITH HMMMA 865 & SDI-128 SPECIFICATIONS.

Experience a safer and more open world