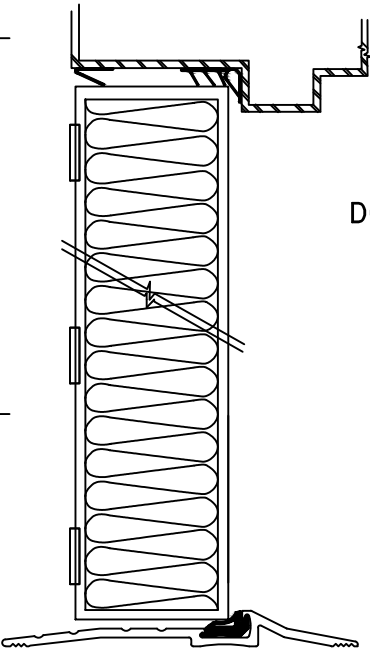


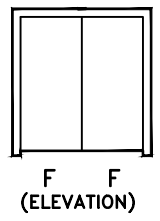
STC RATING DOUBLE DOORS

48 49

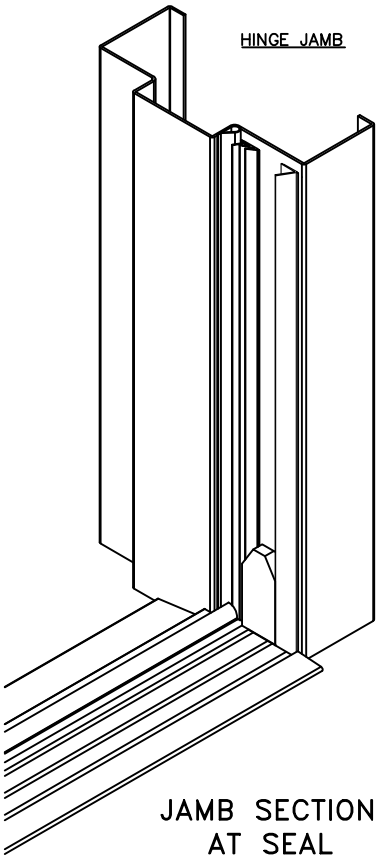
VERTICAL SECTION



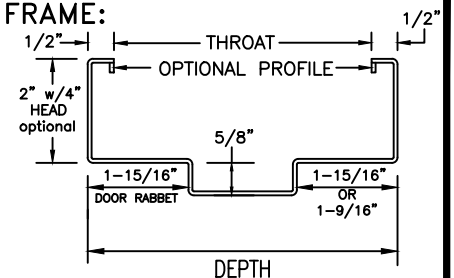
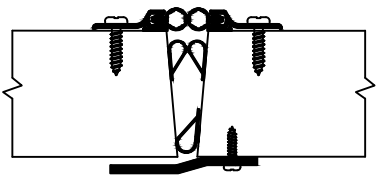
DOOR DESIGN



HINGE JAMB



• DOOR/FRAME SYSTEM INCLUDES:
PEMKO SEAL SET 4
PEMKO SEALS: S44, S88, S773, 303AS
ACP112 & 2009__PK THRESHOLD



GAUGE:

16 COLD ROLLED STEEL
 14 COLD ROLLED STEEL
 16 GALVANNEALED
 14 GALVANNEALED

CORNERS: CONTINUOUSLY WELDED

DOOR:

GAUGE:

18 COLD ROLLED STEEL
 18 GALVANNEALED
 16 COLD ROLLED STEEL
 16 GALVANNEALED

EDGES

VERTICAL: MECHANICALLY INTERLOCKED HEMMED EDGES

Epoxy Seal
Hairline Seam

TOP & BTM: INVERTED CHANNELS with TOP & BOTTOM CAP

HDWE PREPS:

HINGES:
4.5" x .134, 4.5" x .180,
5" x .146 or 5" x .190, FULL MORTISE, ANSI A156.7

LOCK:
STC 49 CYLINDRICAL LOCK REQUIRES SURFACE or FLUSH BOLTS with ASTRAGAL on ACTIVE DOOR.

STC 48 CYLINDRICAL or MORTISE LOCK REQUIRES SURFACE or FLUSH BOLTS with ASTRAGAL on ACTIVE DOOR

STRIKE: ANSI 4-7/8" INACTIVE LOCK EDGE

CLOSERS: SURFACE MOUNTED

NOTES:
MUTES ARE NOT ALLOWED. THE ONLY PREPS ALLOWED IN THE HEADER ARE SURFACE CLOSER REINFORCEMENTS. FRAME MUST BE GROUT FILLED. STC LABEL WILL BE APPLIED TO THE DOORS ONLY.

• INDUSTRY STANDARD CONSTRUCTION TOLERANCES FOR SQUARENESS OF FRAME INSTALLATION, PLUMBNESS OF WALLS, FLATNESS OF FLOORS, FLANKING, ETC. MAY RESULT IN A DIFFERENCE OF 3dB - 5dB SOUND LOSS IN A FIELD TEST VERSUS LAB TEST.

STC 48 & 49 OPTIONAL FIRE RATING:
TESTS: UL10B, UL10C, NFPA252 & UL1784
UL LLC & WARNOCK HERSEY LABEL 20 MIN. THRU 3 HRS

STC 48-49
1 3/4" Sound-Tech Xpress,
Acoustical Door System



ASSA ABLOY (Conversion: 1" = 25.4 mm, e.g., 1-3/4" = 44.45 mm)

DRAWN BY _____	DATE _____			
CHK'D BY _____	DATE _____			
SHT _____	CONTRACT NO. _____	ISSUE DATE _____	REVISIONS _____	BY _____

FOR HAND & SWING
SEE DOOR SCHEDULE

FOR ANCHORAGE
SEE DOOR SCHEDULE & ANCHOR SHEET

NOTE: FOR DESIGN, OR HDWE. REQUIRED, SEE DOOR AND HDWE. SCHEDULE.

FINISH:
STANDARD PRIMER PAINT; TESTED IN CONFORMANCE WITH ANSI A250.10

ACOUSTICAL PERFORMANCE
DOOR SYSTEM TESTED IN CONFORMANCE WITH ASTM E2235, ASTM E1332
ASTM E90 & E413, FULLY OPERABLE, STC AS NOTED ABOVE.
DOOR SYSTEMS ARE IN COMPLIANCE WITH HMMA 865 & SDI-128 SPECIFICATIONS.

Experience a safer and more open world