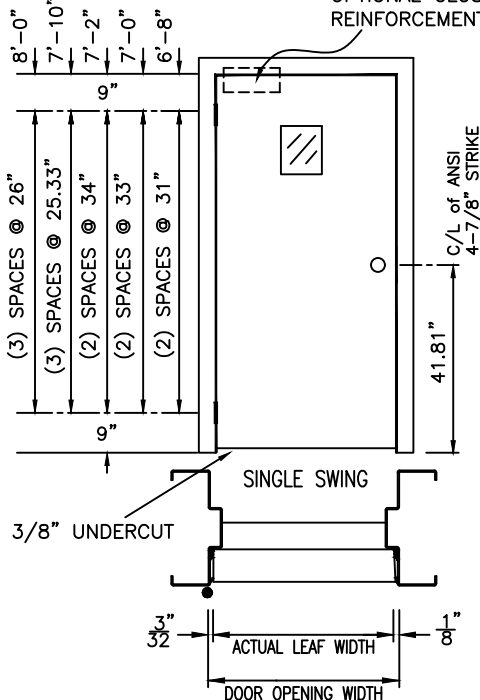
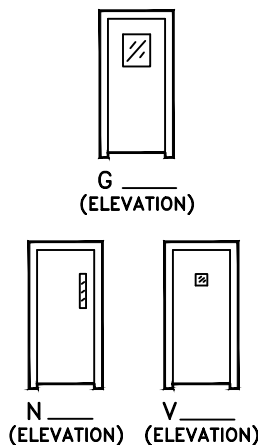


OPTIONAL CLOSER REINFORCEMENT

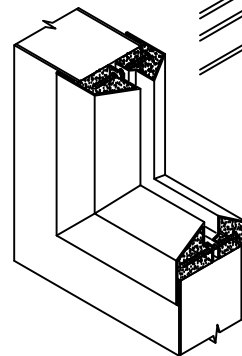
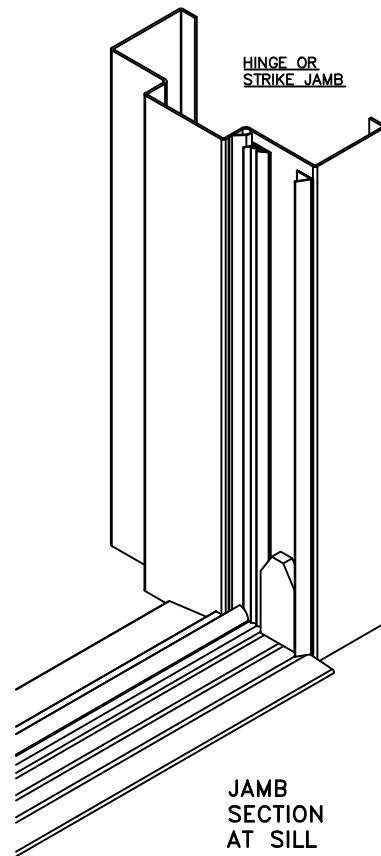


**DOOR DESIGNS**

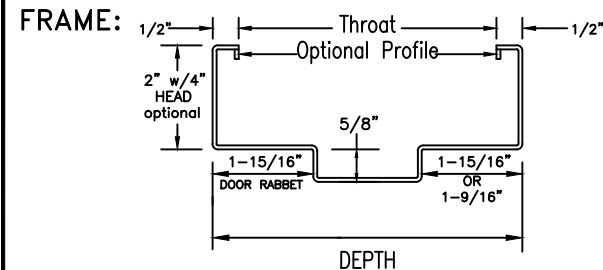


DOOR/FRAME SYSTEM INCLUDES PEMKO SEAL SET 6

- PEMKO SEALS: S44, S88, S773, S771 ACP112 & 2009\_\_PK THRESHOLD



ACOUSTICAL STEEL GLASS KIT  
GLASS IS INCLUDED INSTALLED IN DOOR

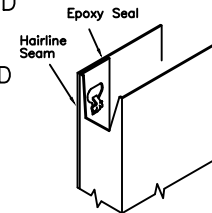


- GAUGE & FINISH:
- 16 COLD ROLLED STEEL
  - 14 COLD ROLLED STEEL
  - 16 GALVANNEALED
  - 14 GALVANNEALED

CORNERS: CONTINUOUSLY WELDED

- DOOR: GAUGE & FINISH:
- 18 COLD ROLLED STEEL
  - 16 COLD ROLLED STEEL
  - 18 GALVANNEALED
  - 16 GALVANNEALED

EDGES VERTICAL: MECHANICALLY INTERLOCKED HEMMED EDGES



TOP & BOTTOM: INVERTED CHANNELS WITH TOP & BOTTOM CAP

**SINGLE DOOR STC RATING**

<input type="checkbox"/> 32	<input type="checkbox"/> 33	<input type="checkbox"/> 34	<input type="checkbox"/> 35	<input type="checkbox"/> 36	<input type="checkbox"/> 37
<input type="checkbox"/> 38	<input type="checkbox"/> 39	<input type="checkbox"/> 40	<input type="checkbox"/> 41	<input type="checkbox"/> 42	<input type="checkbox"/> 43
<input type="checkbox"/> 44	<input type="checkbox"/> 45	<input type="checkbox"/> 46	<input type="checkbox"/> 47	<input type="checkbox"/> 48	

NOTES: MUTES ARE NOT ALLOWED. THE ONLY PREPS ALLOWED IN THE HEADER ARE SURFACE CLOSER REINFORCEMENTS. FRAME MUST BE GROUT FILLED, STC 40 & ABOVE. STC LABEL WILL BE APPLIED TO THE DOOR ONLY. INDUSTRY STANDARD CONSTRUCTION TOLERANCES FOR SQUARENESS OF FRAME INSTALLATION, PLUMBNESS OF WALLS, FLATNESS OF FLOORS, FLANKING, ETC. MAY RESULT IN A DIFFERENCE OF 3dB - 5dB SOUND LOSS IN A FIELD TEST VERSUS LAB TEST.

STC 32-48 OPTIONAL FIRE RATING:  
TESTS: UL10B, UL10C, NFPA252 & UL1784  
UL LLC & WARNOCK HERSEY LABEL.  
SEE CHART FOR HOURLY RATING

**STC 32-48**  
**1 3/4" Sound-Tech Xpress,**  
**Acoustical Door System**

STC	PYRAN PLATINUM MAX. GLASS SIZE	LOCK TYPE	MAX. HOURLY FIRE RATING
32-46	100 <sup>2</sup> "	CYLINDRICAL, MORTISE or RIM	3
32-47	100 <sup>2</sup> "	CYLINDRICAL or MORTISE	3
32-48	100 <sup>2</sup> "	CYLINDRICAL ONLY	3
32-43	288 <sup>2</sup> "	CYLINDRICAL, MORTISE or RIM	1-1/2
32-44	288 <sup>2</sup> "	CYLINDRICAL or MORTISE	1-1/2
32-45	288 <sup>2</sup> "	CYLINDRICAL ONLY	1-1/2
32-39	720 <sup>2</sup> "	CYLINDRICAL, MORTISE or RIM	1-1/2
32-40	720 <sup>2</sup> "	CYLINDRICAL or MORTISE	1-1/2
32-41	720 <sup>2</sup> "	CYLINDRICAL ONLY	1-1/2

HDWE PREPS:  
HINGES:  
4.5" x .134, 4.5" x .180,  
5" x .146 or 5" x .190, FULL  
MORTISE, ANSI A156.7

STRIKE: 4-7/8" ANSI A115.1, A115.2 or REINFORCE for RIM EXIT

STANDARD PRIMER PAINT; TESTED IN CONFORMANCE WITH ANSI A250.10

FINISH: ACOUSTICAL PERFORMANCE  
DOOR SYSTEM TESTED IN CONFORMANCE WITH ASTM E2235, ASTM E1332  
ASTM E90 & E413, FULLY OPERABLE, STC AS NOTED ABOVE.  
DOOR SYSTEMS ARE IN COMPLIANCE WITH HMMA 865 & SDI-128 SPECIFICATIONS.



**ASSA ABLOY** (Conversion: 1" = 25.4 mm, e.g., 1-3/4" = 44.45 mm)

FOR HAND & SWING  
SEE DOOR SCHEDULE

FOR ANCHORAGE  
SEE DOOR SCHEDULE & ANCHOR SHEET

DRAWN BY _____	DATE _____			
CHK'D BY _____	DATE _____			
SHT _____	CONTRACT NO. _____	ISSUE DATE _____	REVISIONS _____	BY _____

NOTE: FOR DESIGN, OR HDWE. REQUIRED, SEE DOOR AND HDWE. SCHEDULE.