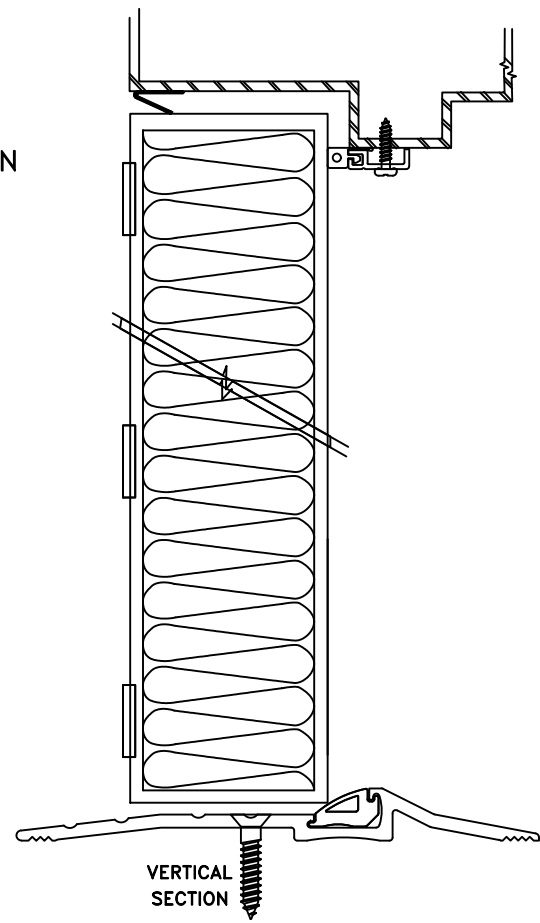
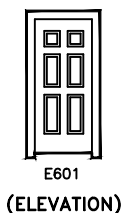


**EMBOSSED DOOR DESIGN**



**SINGLE DOOR STC RATING**  
 48

NOTES: MUTES ARE NOT ALLOWED. THE ONLY PREPS ALLOWED IN THE HEADER ARE SURFACE CLOSER REINFORCEMENTS. FRAME MUST BE GROUT FILLED. STC LABEL WILL BE APPLIED TO THE DOOR ONLY.

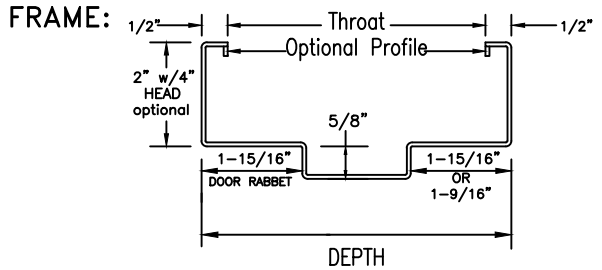
INDUSTRY STANDARD CONSTRUCTION TOLERANCES FOR SQUARENESS OF FRAME INSTALLATION, PLUMBNESS OF WALLS, FLATNESS OF FLOORS, FLANKING, ETC. MAY RESULT IN A DIFFERENCE OF 3dB - 5dB SOUND LOSS IN A FIELD TEST VERSUS LAB TEST.

STC 48 OPTIONAL FIRE RATING:  
 TESTS: UL10B, UL10C, NFPA252 & UL1784  
 UL LLC & WARNOCK HERSEY LABEL  
 20 MIN. THRU 45 MIN.

DOOR/FRAME SYSTEM INCLUDES PEMKO SEAL SET 2

PEMKO SEALS: S44, 312CR  
 2009\_\_PK THRESHOLD

**STC 48**  
**1 3/4" Sound-Tech Xpress,**  
**Acoustical Door System**

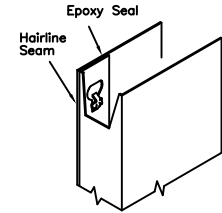


- GAUGE & FINISH:**
- 16 COLD ROLLED STEEL
  - 14 COLD ROLLED STEEL
  - 16 GALVANNEALED
  - 14 GALVANNEALED

CORNERS: CONTINUOUSLY WELDED

- DOOR:**
- GAUGE & FINISH:**
- 18 GALVANNEALED
  - 16 GALVANNEALED

**EDGES**  
 VERTICAL: MECHANICALLY INTERLOCKED HEMMED EDGES



TOP & BOTTOM: INVERTED CHANNELS WITH TOP & BOTTOM CAP

**HDWE PREPS:**

**HINGES:**  
 4.5" x .134, 4.5" x .180,  
 5" x .146 or 5" x .190, FULL MORTISE, ANSI A156.7

**LOCK:**  
 STC 48 (6) PANEL, CYLINDRICAL LOCK ONLY

**STRIKE:**  
 4-7/8" ANSI A115.1, ANSI A115.2



**ASSA ABLOY** (Conversion: 1" = 25.4 mm, e.g., 1-3/4" = 44.45 mm)

DRAWN BY _____	DATE _____			
CHK'D BY _____	DATE _____			
SHT _____	CONTRACT NO. _____	ISSUE DATE _____	REVISIONS _____	BY _____

<b>FOR HAND &amp; SWING</b> SEE DOOR SCHEDULE		<b>FOR ANCHORAGE</b> SEE DOOR SCHEDULE & ANCHOR SHEET	
<b>NOTE:</b> FOR DESIGN, OR HDWE. REQUIRED, SEE DOOR AND HDWE. SCHEDULE.		<b>FINISH:</b> ACOUSTICAL PERFORMANCE	STANDARD PRIMER PAINT; TESTED IN CONFORMANCE WITH ANSI A250.10
		DOOR SYSTEM TESTED IN CONFORMANCE WITH ASTM E2235, ASTM E1332 ASTM E90 & E413, FULLY OPERABLE, STC AS NOTED ABOVE. DOOR SYSTEMS ARE IN COMPLIANCE WITH HMMMA 865 & SDI-128 SPECIFICATIONS.	

Experience a safer and more open world