

SINGLE DOOR STC RATING

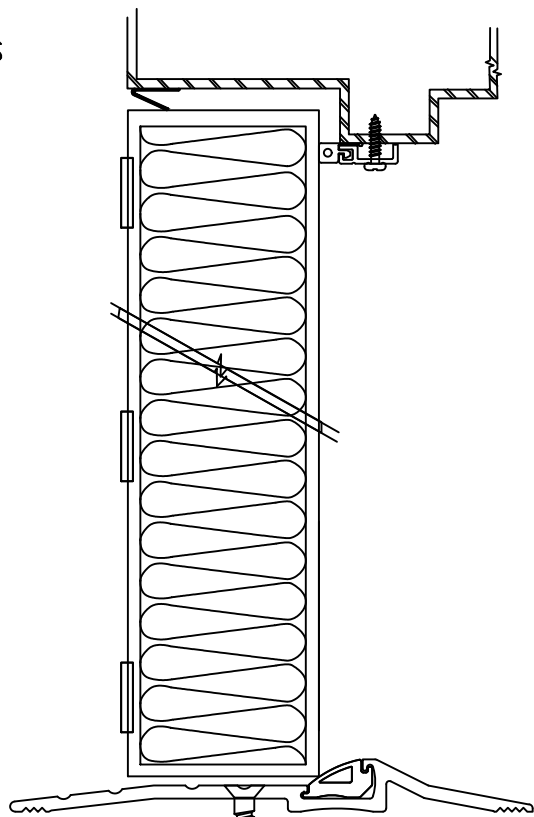
47

NOTES: MUTES ARE NOT ALLOWED. THE ONLY PREPS ALLOWED IN THE HEADER ARE SURFACE CLOSER REINFORCEMENTS. FRAME MUST BE GROUT FILLED. STC LABEL WILL BE APPLIED TO THE DOOR ONLY.

INDUSTRY STANDARD CONSTRUCTION TOLERANCES FOR SQUARENESS OF FRAME INSTALLATION, PLUMBNESS OF WALLS, FLATNESS OF FLOORS, FLANKING, ETC. MAY RESULT IN A DIFFERENCE OF 3dB - 5dB SOUND LOSS IN A FIELD TEST VERSUS LAB TEST.

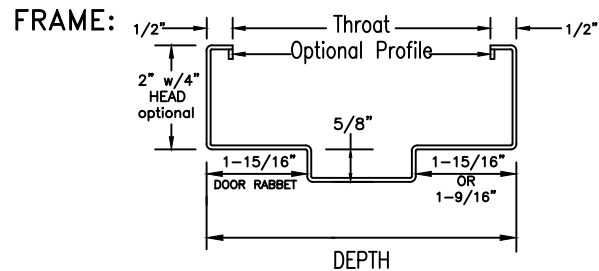
STC 47 OPTIONAL FIRE RATING:
TESTS: UL10B, UL10C, NFPA252 & UL1784
UL LLC & WARNOCK HERSEY LABEL
(3'0"X7'0" MAX.) 20 MIN. THRU 45 MIN.

EMBOSSED DOOR DESIGNS



DOOR/FRAME SYSTEM INCLUDES PEMKO SEAL SET 2

PEMKO SEALS: 312CR 2009__PK THRESHOLD

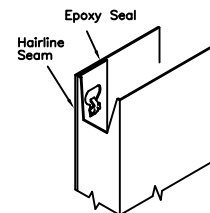


- GAUGE & FINISH:**
- 16 GAGE COLD ROLLED STEEL
 - 14 GAGE COLD ROLLED STEEL
 - 16 GAGE GALVANNEALED
 - 14 GAGE GALVANNEALED

CORNERS: CONTINUOUSLY WELDED

DOOR: GAUGE & FINISH:
 18 GALV

EDGES
VERTICAL: MECHANICALLY INTERLOCKED HEMMED EDGES



TOP & BOTTOM: INVERTED CHANNELS WITH TOP & BOTTOM CAP

HDWE PREPS:

HINGES:
4.5" x .134, 4.5" x .180, 5" x .146 or 5" x .190, FULL MORTISE, ANSI A156.7

LOCK:
STC 47 (2) PANEL, CYLINDRICAL LOCK ONLY

STRIKE: 4-7/8" ANSI A115.1, ANSI A115.2

STC 47
1 3/4" Sound-Tech Xpress, Acoustical Door System



ASSA ABLOY (Conversion: 1" = 25.4 mm, e.g., 1-3/4" = 44.45 mm)

FOR HAND & SWING
SEE DOOR SCHEDULE

FOR ANCHORAGE
SEE DOOR SCHEDULE & ANCHOR SHEET

NOTE: FOR DESIGN, OR HDWE. REQUIRED, SEE DOOR AND HDWE. SCHEDULE.

FINISH:
ACOUSTICAL PERFORMANCE

STANDARD PRIMER PAINT; TESTED IN CONFORMANCE WITH ANSI A250.10

DOOR SYSTEM TESTED IN CONFORMANCE WITH ASTM E2235, ASTM E1332 ASTM E90 & E413, FULLY OPERABLE, STC AS NOTED ABOVE. DOOR SYSTEMS ARE IN COMPLIANCE WITH HMMA 865 & SDI-128 SPECIFICATIONS.

DRAWN BY _____	DATE _____			
CHK'D BY _____	DATE _____			
SHT _____	CONTRACT NO. _____	ISSUE DATE _____	REVISIONS _____	BY _____

Experience a safer and more open world