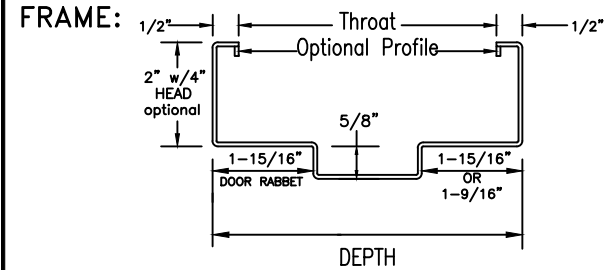
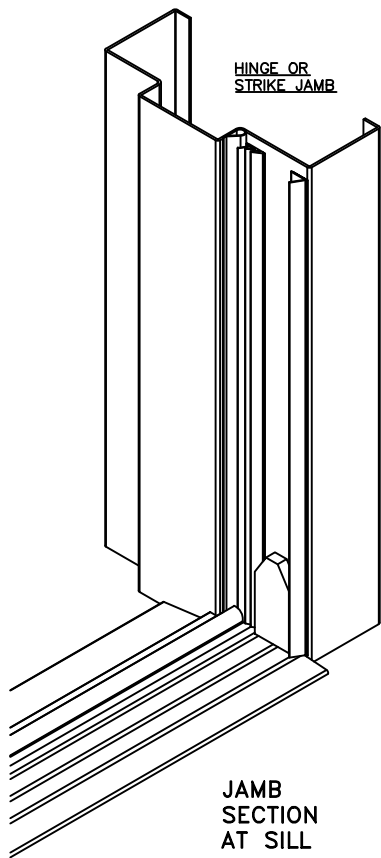
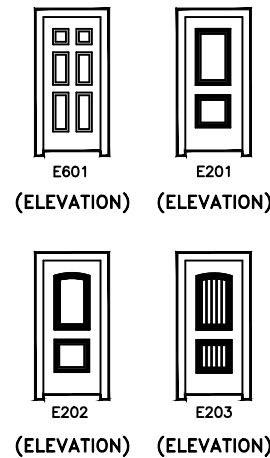


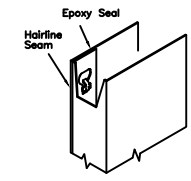
EMBOSSED DOOR DESIGNS



- GAUGE & FINISH:**
- 16 COLD ROLLED STEEL
 - 14 COLD ROLLED STEEL
 - 16 GALVANNEALED
 - 14 GALVANNEALED

CORNERS: CONTINUOUSLY WELDED

- DOOR: GAUGE & FINISH:**
- 18 GALVANNEALED
 - 16 GALVANNEALED
- EDGES:**
- VERTICAL: MECHANICALLY INTERLOCKED HEMMED EDGES



TOP & BOTTOM: INVERTED CHANNELS WITH TOP & BOTTOM CAP

HORIZONTAL SECTIONS

SINGLE DOOR STC RATING

<input type="checkbox"/> 32	<input type="checkbox"/> 33	<input type="checkbox"/> 34	<input type="checkbox"/> 35	<input type="checkbox"/> 36
<input type="checkbox"/> 37	<input type="checkbox"/> 38	<input type="checkbox"/> 39	<input type="checkbox"/> 40	<input type="checkbox"/> 41
<input type="checkbox"/> 42	<input type="checkbox"/> 43	<input type="checkbox"/> 44	<input type="checkbox"/> 45	<input type="checkbox"/> 46
<input type="checkbox"/> 47				

NOTES: MUTES ARE NOT ALLOWED. THE ONLY PREPS ALLOWED IN THE HEADER ARE SURFACE CLOSER REINFORCEMENTS. FRAME MUST BE GROUT FILLED, WITH STC 40 & ABOVE. STC LABEL WILL BE APPLIED TO THE DOOR ONLY.

• INDUSTRY STANDARD CONSTRUCTION TOLERANCES FOR SQUARENESS OF FRAME INSTALLATION, PLUMBNESS OF WALLS, FLATNESS OF FLOORS, FLANKING, ETC. MAY RESULT IN A DIFFERENCE OF 3dB - 5dB SOUND LOSS IN A FIELD TEST VERSUS LAB TEST.

STC 32-47 OPTIONAL FIRE RATING:
TESTS: UL10B, UL10C, NFPA252 & UL1784
UL LLC & WARNOCK HERSEY LABEL
20 MIN. THRU 45 MIN.

DOOR/FRAME SYSTEM INCLUDES PEMKO SEAL SET 6

• PEMKO SEALS: S44, S88, S773, S771
ACP112 & 2009_PK THRESHOLD

STC 32-47
1 3/4" Sound-Tech Xpress,
Acoustical Door System

HDWE PREPS:

HINGES:
4.5" x .134, 4.5" x .180, 5" x .146 or 5" x .190, FULL MORTISE, ANSI A156.7

LOCK:
STC 47 (6) PANEL, CYLINDRICAL LOCK ONLY
STC 32-46 (6) PANEL CYLINDRICAL or MORTISE
STC 32-45 (6) PANEL, CYLINDRICAL, MORTISE or RIM EXIT DEVICE.
STC 46 (2) PANEL, CYLINDRICAL LOCK ONLY
STC 32-45 (2) PANEL CYLINDRICAL or MORTISE
STC 32-44 (2) PANEL, CYLINDRICAL, MORTISE or RIM EXIT DEVICE.

STRIKE: 4-7/8" ANSI A115.1, ANSI A115.2 or REINFORCE for RIM EXIT



ASSA ABLOY (Conversion: 1" = 25.4 mm, e.g., 1-3/4" = 44.45 mm)

DRAWN BY _____	DATE _____		
CHK'D BY _____	DATE _____		
SHT _____	CONTRACT NO. _____	ISSUE DATE _____	REVISIONS _____
OF _____			BY _____

FOR HAND & SWING SEE DOOR SCHEDULE	FOR ANCHORAGE SEE DOOR SCHEDULE & ANCHOR SHEET
NOTE: FOR DESIGN, OR HDWE. REQUIRED, SEE DOOR AND HDWE. SCHEDULE.	
FINISH: ACOUSTICAL PERFORMANCE	STANDARD PRIMER PAINT; TESTED IN CONFORMANCE WITH ANSI A250.10
DOOR SYSTEM TESTED IN CONFORMANCE WITH ASTM E2235, ASTM E1332 ASTM E90 & E413, FULLY OPERABLE, STC AS NOTED ABOVE. DOOR SYSTEMS ARE IN COMPLIANCE WITH HMMMA 865 & SDI-128 SPECIFICATIONS.	

Experience a safer and more open world