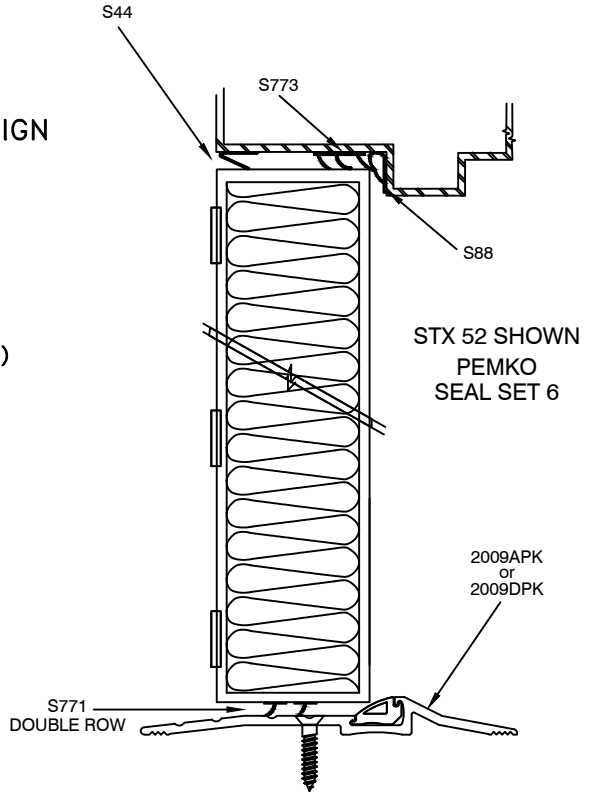


SINGLE DOOR STC RATING	
□	52

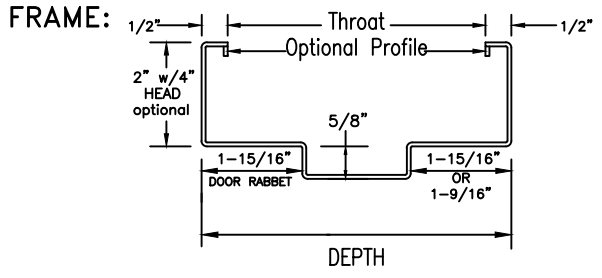
NOTES: MUTES ARE NOT ALLOWED. THE ONLY PREPS ALLOWED IN THE HEADER ARE SURFACE CLOSER REINFORCEMENTS. FRAME MUST BE GROUT FILLED. STC LABEL WILL BE APPLIED TO THE DOOR ONLY.

● INDUSTRY STANDARD CONSTRUCTION TOLERANCES FOR SQUARENESS OF FRAME INSTALLATION, PLUMBNESS OF WALLS, FLATNESS OF FLOORS, FLANKING, ETC. MAY RESULT IN A DIFFERENCE OF 3dB - 5dB SOUND LOSS IN A FIELD TEST VERSUS LAB TEST.

STC 52 OPTIONAL FIRE RATING:
 TESTS: UL10B, UL10C, NFPA252 & UL1784
 UL LLC & WARNOCK HERSEY LABEL
 20 MIN. THRU 3 HRS



DOOR/FRAME SYSTEM INCLUDES PEMKO SEAL SET 6.
 ● PEMKO SEALS: S88, S44, S773, S771 & ACP112_DPK

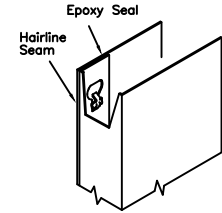


- GAUGE & FINISH:**
- 16 COLD ROLLED STEEL
 - 16 GALVANNEALED
 - 14 COLD ROLLED STEEL
 - 14 GALVANNEALED

CORNERS: CONTINUOUSLY WELDED

- DOOR:**
- GAUGE & FINISH:**
- 18 COLD ROLLED STEEL
 - 18 GALVANNEALED
 - 18 COLD ROLLED STEEL
 - 16 GALVANNEALED

EDGES
 VERTICAL: MECHANICALLY INTERLOCKED HEMMED EDGES



TOP & BOTTOM: INVERTED CHANNELS WITH TOP & BOTTOM CAP

HDWE PREPS:

HINGES:
 4.5" x .134, 4.5" x .180, 5" x .146 or 5" x .190, FULL MORTISE, ANSI A156.7

LOCK:
 CYLINDRICAL or MORTISE
STRIKE: 4-7/8" ANSI A115.1 & A115.2

STC 52 1 3/4" Sound-Tech Xpress, Acoustical Door System



ASSA ABLOY (Conversion: 1" = 25.4 mm, e.g., 1-3/4" = 44.45 mm)

DRAWN BY _____	DATE _____			
CHK'D BY _____	DATE _____			
SHT _____	CONTRACT NO. _____	ISSUE DATE _____	REVISIONS _____	BY _____

FOR HAND & SWING SEE DOOR SCHEDULE	FOR ANCHORAGE SEE DOOR SCHEDULE & ANCHOR SHEET
NOTE: FOR DESIGN, OR HDWE. REQUIRED, SEE DOOR AND HDWE. SCHEDULE.	
FINISH: ACOUSTICAL PERFORMANCE	STANDARD PRIMER PAINT; TESTED IN CONFORMANCE WITH ANSI A250.10
DOOR SYSTEM TESTED IN CONFORMANCE WITH ASTM E2235, ASTM E1332, ASTM E90 & E413, FULLY OPERABLE, STC AS NOTED ABOVE. DOOR SYSTEMS ARE IN COMPLIANCE WITH HMMMA 865 & SDI-128 SPECIFICATIONS.	

Experience a safer and more open world