

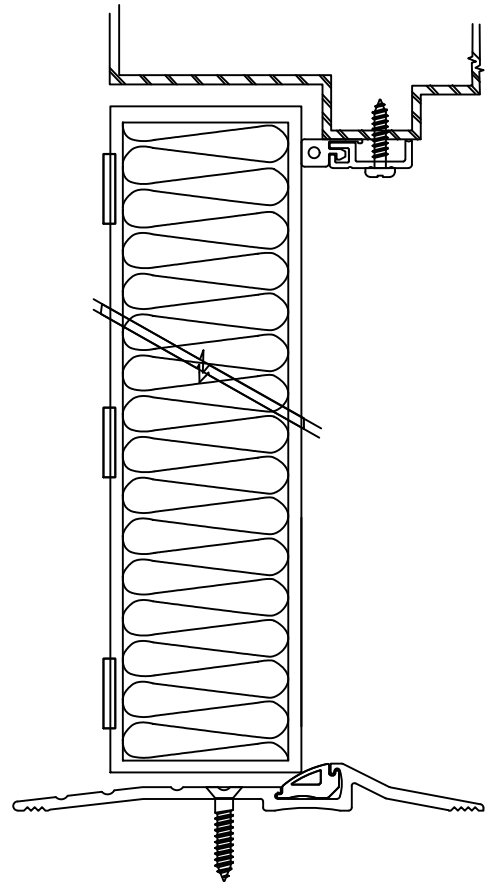
**SINGLE DOOR STC RATING**

32

NOTES: MUTES ARE NOT ALLOWED. THE ONLY PREPS ALLOWED IN THE HEADER ARE SURFACE CLOSER REINFORCEMENTS. FRAME IS NOT REQUIRED TO BE GROUT FILLED STC 39 & BELOW. STC LABEL WILL BE APPLIED TO THE DOOR ONLY.

INDUSTRY STANDARD CONSTRUCTION TOLERANCES FOR SQUARENESS OF FRAME INSTALLATION, PLUMBNESS OF WALLS, FLATNESS OF FLOORS, FLANKING, ETC. MAY RESULT IN A DIFFERENCE OF 3dB - 5dB SOUND LOSS IN A FIELD TEST VERSUS LAB TEST.

STC 32 OPTIONAL FIRE RATING:  
TESTS: UL10B, UL10C, UL1784, & NFPA252  
UL LLC & WARNOCK HERSEY LABEL  
20 MIN. THRU 3 HRS

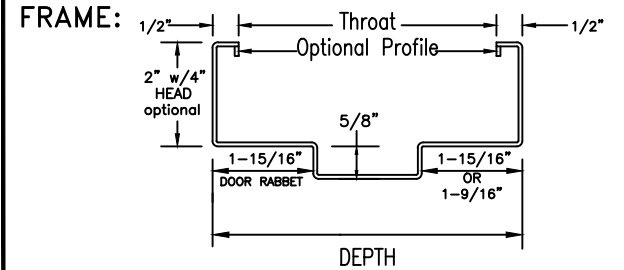


DOOR/FRAME SYSTEM INCLUDES PEMKO SEAL SET 32

- PEMKO SEALS: 312CN & 2009\_\_PK THRESHOLD

# STC 32

## 1 3/4" Sound-Tech Xpress, Acoustical Door System

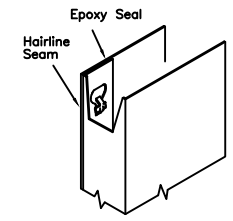


- GAUGE & FINISH:
- 16 CRS  16 GALVANNEALED
  - 14 CRS  14 GALVANNEALED
  - 16 GALVANIZED
  - 14 GALVANIZED

CORNERS: CONTINUOUSLY WELDED

- DOOR: GAUGE & FINISH:
- 18 CRS  18 GALVANNEALED
  - 16 CRS  16 GALVANNEALED
  - 16 GALVANIZED

EDGES  
VERTICAL: MECHANICALLY INTERLOCKED HEMMED EDGES



TOP & BOTTOM: INVERTED CHANNELS WITH TOP & BOTTOM CAP

HDWE PREPS:

HINGES:  
4.5" x .134, 4.5" x .180,  
5" x .146 or 5" x .190, FULL  
MORTISE, ANSI A156.7

LOCK:  
STC 32 CYLINDRICAL or MORTISE LOCK ONLY.

STRIKE: 4-7/8" ANSI A115.1 & A115.2



ASSA ABLOY

(Conversion: 1" = 25.4 mm, e.g., 1-3/4" = 44.45 mm)

FOR HAND & SWING SEE DOOR SCHEDULE	FOR ANCHORAGE SEE DOOR SCHEDULE & ANCHOR SHEET
---------------------------------------	---

DRAWN BY _____ DATE _____	CHK'D BY _____ DATE _____
SHT _____ OF _____	CONTRACT NO. _____
ISSUE DATE _____	REVISIONS _____ BY _____

NOTE: FOR DESIGN, OR HDWE. REQUIRED, SEE DOOR AND HDWE. SCHEDULE.	FINISH: STANDARD PRIMER PAINT; TESTED IN CONFORMANCE WITH ANSI A250.10
ACOUSTICAL PERFORMANCE	DOOR SYSTEM TESTED IN CONFORMANCE WITH ASTM E2235, ASTM E1332, ASTM E90 & E413, FULLY OPERABLE, STC AS NOTED ABOVE. DOOR SYSTEMS ARE IN COMPLIANCE WITH HMMA 865 & SDI-128 SPECIFICATIONS.

Experience a safer and more open world