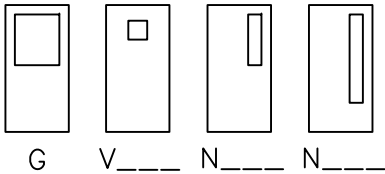
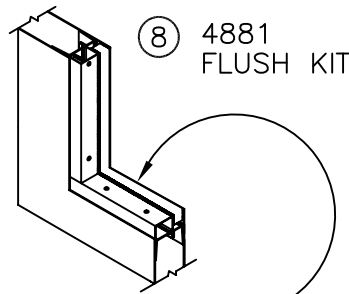


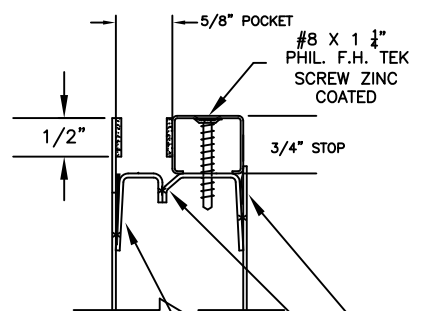
DOOR DESIGNS



4881 FLUSH LIGHT KIT IS FACTORY INSTALLED WITH NON-FIRE RATED SG5™ GLASS, TREMCO 440 GLAZING TAPE & DOW CORNING 995 SILICONE GLAZING COMPOUND.



FIELD APPLIED CAULK IS RECOMMENDED ON THIS SEAM TO IMPROVE ESTHETICS AND RESIST WATER INTRUSION.



KITS ARE PROJECTION WELDED TO FACE SHEETS AND TACKWELDED TO EACH OTHER.
16 GA. A60 GALVANNEALED

SARGENT MORTISE LOCK PREPARATIONS

- 8224, 8225, 8226, 8227, 8235, 8239, 8240, 8241, 8243, 8245, 8246, 8247, 8248, 8249, 8250, 8251, 8252, 8266, 8268

*CORBIN RUSSWIN MORTISE LOCK PREPARATIONS

- ML2020, ML2022, ML2024, ML2029, ML2030, ML2048, ML2065, ML2067, ML2072, ML2073, ML2075, ML2082, ML2092

*YALE MORTISE LOCK PREPARATIONS

- SL8802, SL8811, SL8812, SL8817, SL8818, SL8822, SL8823, SL8827, SL8830, SL8831, SL8832, SL8840, SL8847, SL8860, SL8861

*EQUIVALENT HARDWARE NOT TESTED

1 END CHANNELS

INVERTED TOP AND BOTTOM

18 GAGE FLUSH TOP & BOTTOM CAPS OPTIONAL

2 CLOSER REINFORCEMENT (OPTIONAL)

SURFACE MOUNTED ONLY

14 GAGE STEEL CHANNEL 20"

3 VERTICAL EDGES

Hairline Seam Epoxy Seal

MECHANICALLY INTERLOCKED HEMMED EDGES

ALSO AVAILABLE SEAMLESS (WELDED OR BODY FILLER)

4 CORE

KRAFT PAPER HONEYCOMB SLAB BONDED TO INSIDE OF BOTH FACE SHEETS

5 HINGE PREPARATION

4-1/2 OR 5 IN. HIGH, STANDARD OR HEAVY WEIGHT, FULL MORTISE HINGES

CONTINUOUS HINGES, OPTIONAL

ANSI A156.7 TEMPLATE

HANDED

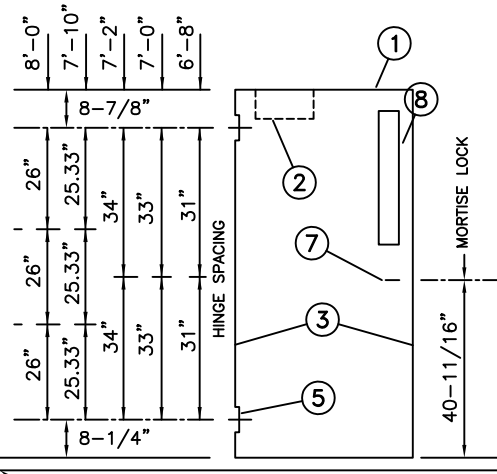
7 GAGE REINFT.

6 LOCK EDGE

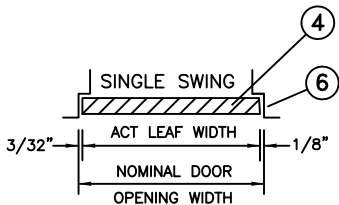
BEVEL 1/8" IN 2"

7 LOCK PREPARATION GOV. 86, ANSI/BHMA A115.1 MORTISE TYPE (LM2)

NOTE: EITHER OF THE LOCK REINFORCEMENTS/GUARDS SHOWN MAY BE INSTALLED WITH 8200 SERIES MORTISE LOCK WITH LATCH BOLT, DEAD BOLT & LS ESCUTCHEON



DOOR ELEVATION



HORIZONTAL SECTION

FIRE DOORS:
NOT AVAILABLE IN THIS DESIGN & CONSTRUCTION
COLD ROLLED STEEL IS STANDARD GALVANNEALED AND GALVANIZED STEEL ARE OPTIONAL

1-3/4" REGENT (RI) 16 GAUGE ATTACK RESISTANT DOOR

(Conversion: 1" = 25.4 mm, e.g., 1-3/4" = 44.45 mm)



DRAWN BY _____ DATE _____
CHK'D BY _____ DATE _____

SHT _____ OF _____ CONTRACT NO. _____

ISSUE DATE _____ REVISIONS _____ BY _____

FOR HAND & SWING
SEE DOOR SCHEDULE

SCHOOL GUARD GLASS

ATTACK RESISTANT TEST DATA

SG5™ COMPLIES WITH UL 972, ASTM C1036, C1172 & ANSI Z97.1

PASSED 3RD PARTY TESTING AT H.P. WHITE LABORATORY INC. TESTED TO 5a+10 CERTIFICATION STANDARDS FOR REINFORCING AND TESTING OF STANDARD WOOD AND HOLLOW METAL DOORS, FRAMES, GLASS AND HARDWARE FOR (4) MINUTE ATTACK.

Experience a safer and more open world