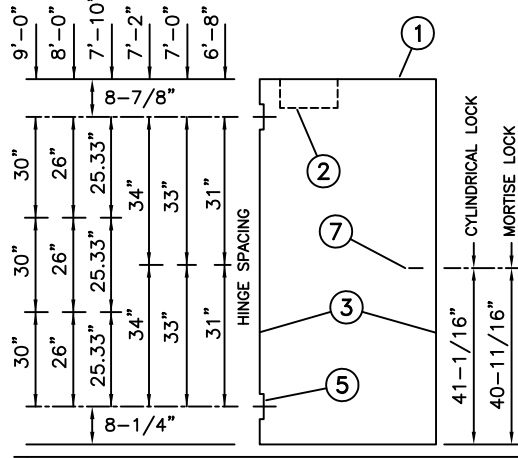
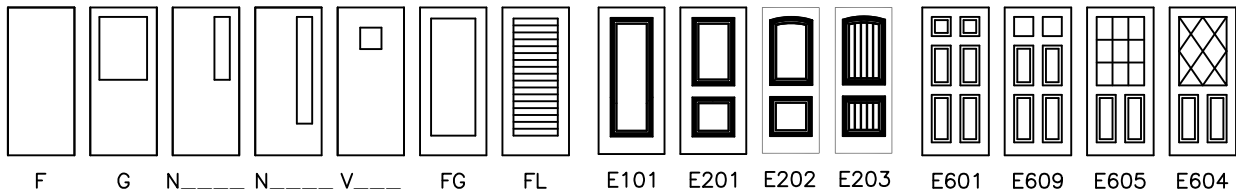
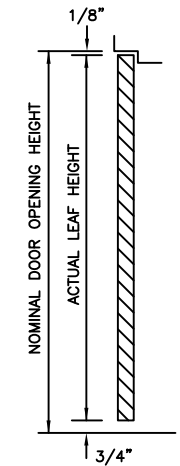


DOOR DESIGNS



DOOR ELEVATION



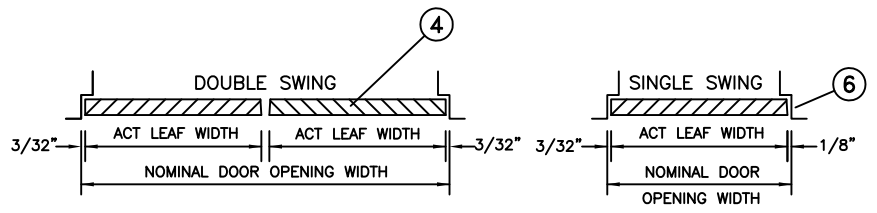
VERTICAL SECTION

FIRE DOORS:
TEST: UL10B, UL10C, UL1784 & NFPA 252

LABELING AGENCIES:
UL LLC
WARNOCK HERSEY

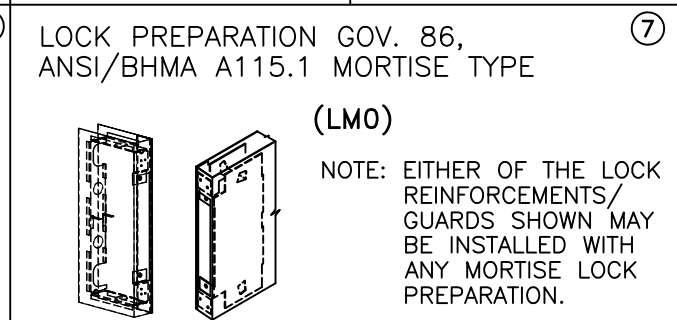
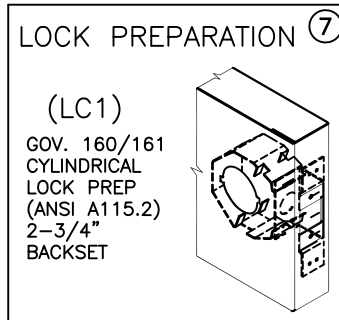
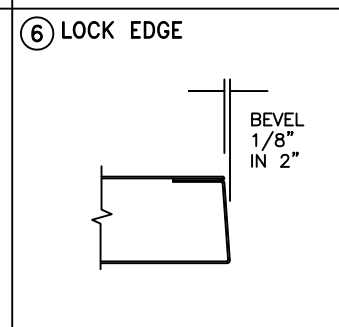
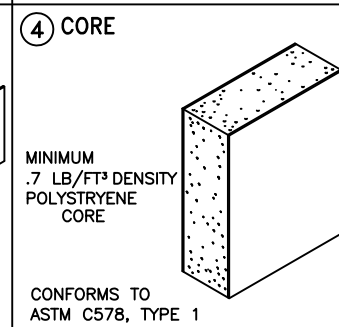
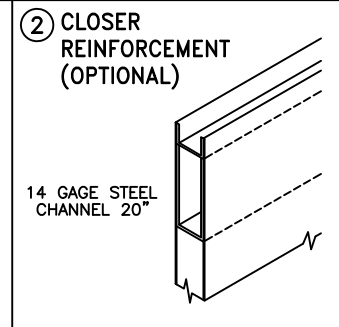
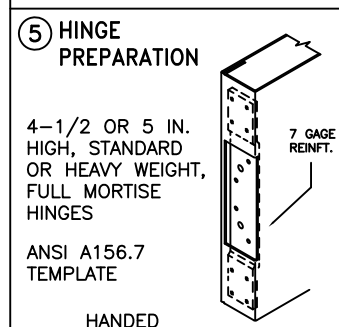
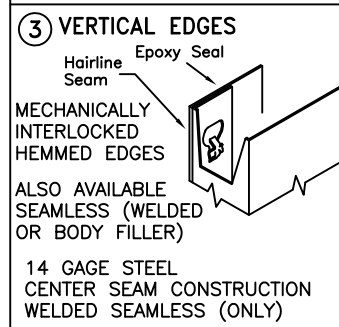
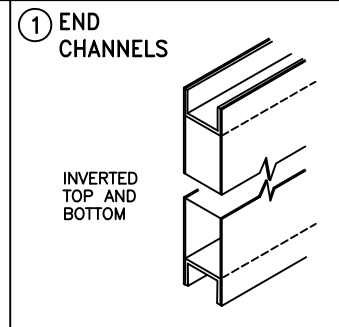
RATING: 20 MIN THRU 3 HR
MAX. SIZE: 4'0" x 8'0" SINGLE
 * 8'0" x 8'0" PAIR
 * 9'0" x 9'0" W/ VERT RODS
DESIGNS: F, G, N, & V

Cold rolled steel is standard
Galvannealed and galvanized steel are optional



HORIZONTAL SECTIONS

1-3/4" LEGION (LP) DOOR



CecoDoor (Conversion: 1" = 25.4 mm, e.g., 1-3/4" = 44.45 mm)

ASSA ABLOY		FOR HAND & SWING	
DRAWN BY _____ DATE _____		SEE DOOR SCHEDULE	
CHK'D BY _____ DATE _____			
SHT _____ OF _____	CONTRACT NO. _____	ISSUE DATE _____	REVISIONS _____ BY _____

THERMAL INSULATION VALUE SOUND TRANSMISSION PHYSICAL ENDURANCE TEST DATA	NOTE: FOR GLAZING TRIM, LOUVERS OR ASTRAGALS REQUIRED, SEE DOOR SCHEDULE & ACCESSORY SHEET
--	--

NFRC 102-2014 & ASTM FLUSH DOOR WITH MERCURY FRAME	R = 2.33	U = 0.43
CORE CALCULATED (ASTM C518)	R = 6.08	U = 0.16
SOUND TRANSMISSION CLASS (STC): 27 F DESIGN, 18 GAGE FACE SHEETS -- ASTM E90 & E413 (FULLY OPERABLE)		
MEETS OR EXCEEDS ANSI A 250.4 PERFORMANCE TEST; 20 gage steel (500,000 cycles); 18 & 16 gage steel (1,000,000 cycles).		

Experience a safer and more open world