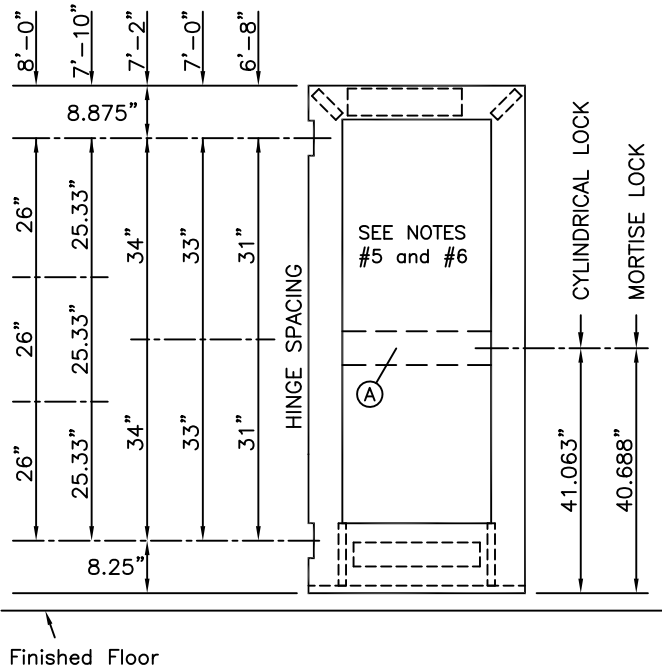
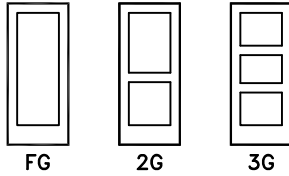
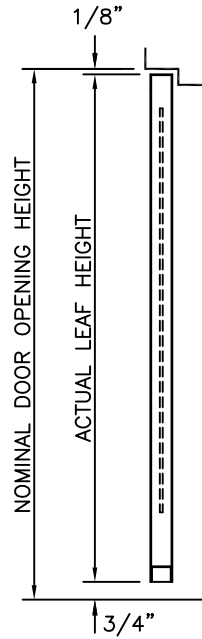


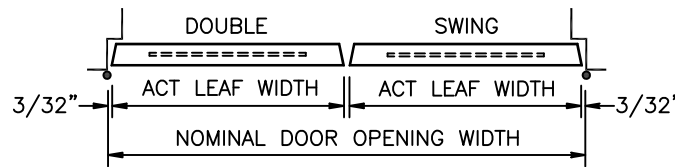
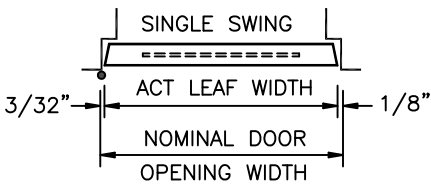
DOOR DESIGNS



DOOR ELEVATION



VERTICAL SECTION



HORIZONTAL SECTIONS

THRULITE (TX) STILE AND RAIL DOOR

TOP RAIL, CENTER RAIL AND STILES
 5 5/8" NOM. (STD.)
 3 5/8" NOM. (OPT.)
 7 5/8" NOM. (OPT.)

BOTTOM RAIL
 12" NOM. (STD.)
 10 THRU 16" NOM. (OPT.),
 IN 2" INCREMENTS

(A) Unless otherwise specified, Design 2G center rail is located at cylindrical lock prep.

FIRE DOORS

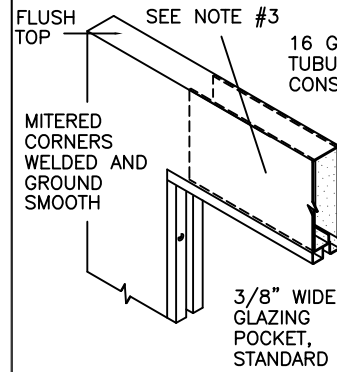
LABELING AGENCY:
 UL LLC
 WARNOCK HERSEY

TEST: UL10B, UL10C
 UL1784 & NFPA252

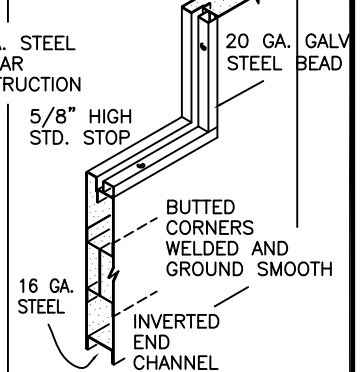
RATING: 20 MIN, 3/4 HR.

MAX. SIZE:
 4'0" x 8'0" SINGLE
 8'0" x 8'0" PAIR

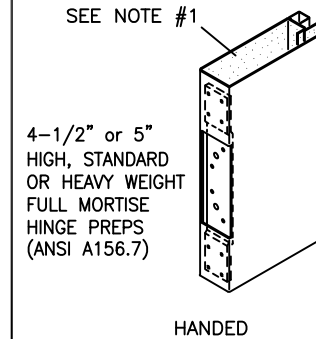
1 TOP CORNER



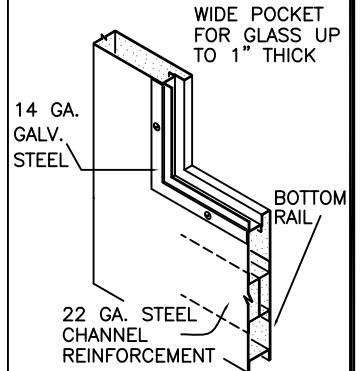
2 BOTTOM CORNER



3 HINGE PREPARATION



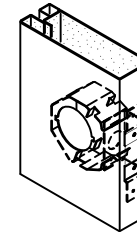
4 OPTIONAL GLAZING TRIM THICK GLASS



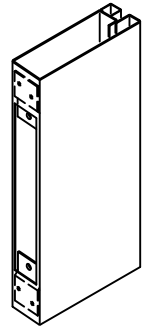
5 LOCK PREPARATIONS

SEE NOTE #2

(LC1)
 GOV. 160/161
 CYLINDRICAL
 LOCK PREP
 (ANSI A115.2)
 2-3/4"
 BACKSET



(LMO)
 GOV. 86
 MORTISE
 LOCK PREP
 (ANSI A115.1)



CecoDoor (Conversion: 1" = 25.4 mm, e.g., 1-3/4" = 44.45 mm)

ASSA ABLOY

DRAWN BY _____ DATE _____
 CHK'D BY _____ DATE _____

SHT _____ OF _____ CONTRACT NO. _____

ISSUE DATE _____ REVISIONS _____ BY _____

FOR HAND & SWING
 SEE DOOR SCHEDULE



NOTES:
 1. TUBE CORES ARE INSULATED WITH FIBERGLASS, TYPICAL.
 2. ON 3-5/8" STILES, NARROW-STILE HARDWARE IS REQUIRED.
 3. 12 GAGE STEEL CLOSER REINFORCEMENT, OPTIONAL.
 4. FOR REQUIRED ASTRAGAL OR GLAZING TRIM, SEE DOOR SCHEDULE.

MATERIAL: 16 GA. COLD ROLLED STEEL STANDARD
 16 GA. A60 GALVANNEALED OR GALVANIZED STEEL
 OPTIONAL

5. GLASS AND GLAZING ARE NOT INCLUDED UNLESS COVERED BY CONTRACT AGREEMENT.
 6. GLAZING FOR LABELED DOORS MUST COMPLY WITH PROCEDURES OF LABELING AGENCY.