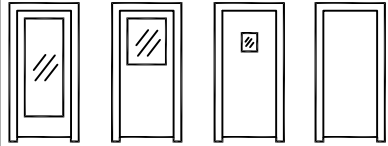


DOOR DESIGNS

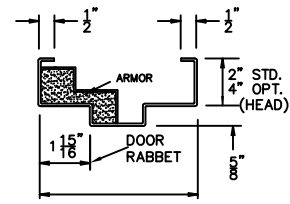


FG ___ G ___ V ___ F ___
 Bullet resistant glass & glazing:
 12"x12" min. visible glass

RRatings	Ammunition	Grains	Weight	Velocity		Number of Shots
				MIN. (FPS)	MAX. (FPS)	
LEVEL 4	.30 Caliber Rifle Lead Core Soft Point	180	11.7	2540	2794	1
LEVEL 5	7.62mm Rifle Lead Core Full Metal Copper Jacket, Military Ball	150	9.7	2750	3025	1
LEVEL 6	9mm Full Metal Copper Jacket with Lead Core	124	8.0	1400	1540	5
LEVEL 7	5.56mm Rifle Full Metal Copper Jacket with Lead Core	55	3.56	3080	3383	5
LEVEL 8	7.62mm Rifle Lead Core Full Metal Copper Jacket, Military Ball	150	9.7	2750	3025	5

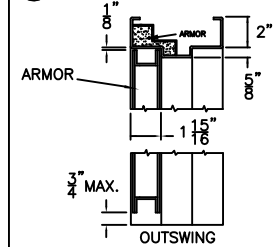
The ArmorShield system is intended for architectural environments with equivalent bullet resistance. Required jamb anchors are included. The system has not been tested for resistance to forced entry, forced exit or for fire protection. Field assembly is required. System shall be installed securely by contractor in a manner to achieve the intended functional operation & appearance. DHI DHI installation guide is applicable.

① TYPICAL PROFILE



Frame: 14 gage galv. steel

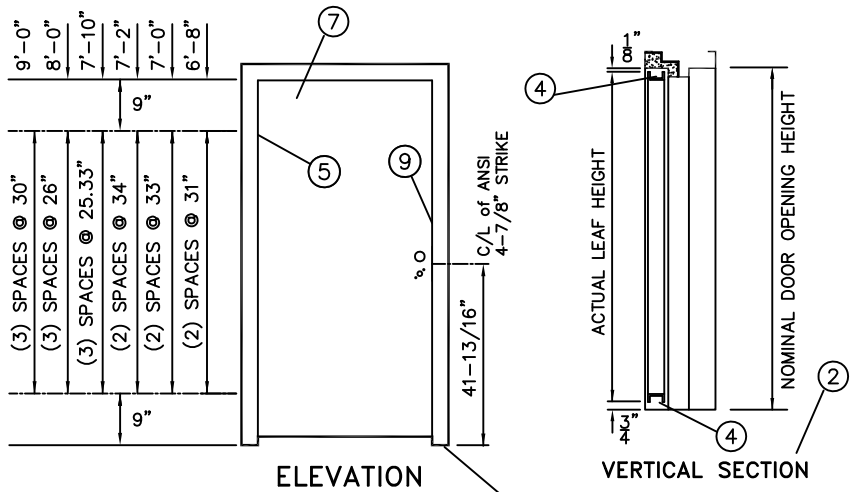
② VERTICAL SECTION



Mute holes not provided.

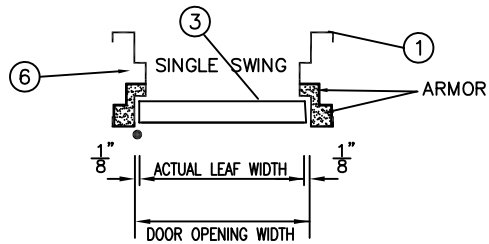
**No field drilling can take place on the threat side of the door. Complete factory preparation for all locking & closing hardware is required. Adhesive is recommended to mount hardware to threat side.

DOORS ARE CRATED FOR SHIPMENT.



ELEVATION

VERTICAL SECTION



HORIZONTAL SECTIONS

1-3/4" ARMORSHIELD (LEVEL 4-8) CONFORMS TO UL 752
 BULLET RESISTANT DOOR SYSTEM



(Conversion: 1" = 25.4 mm, e.g., 1-3/4" = 44.45 mm)



DOOR AND FRAME ARE PRIME PAINTED WITH A NEUTRAL COLOR, RUST INHIBITIVE PAINT READY FOR FIELD FINISH COLOR PAINTING.

DRAWN BY _____ DATE _____
 CHK'D BY _____ DATE _____

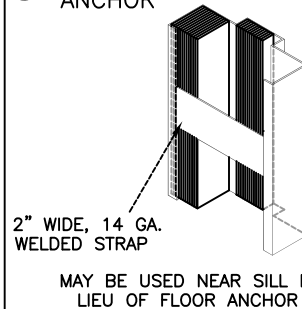
SHT _____ CONTRACT NO. _____
 OF _____

ISSUE DATE _____
 REVISIONS _____
 BY _____

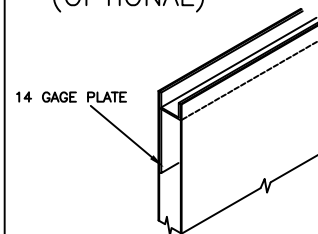
FOR HAND & SWING
 SEE DOOR SCHEDULE



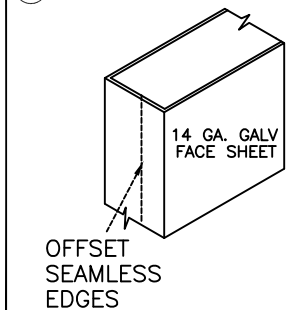
⑥ METAL STUD ANCHOR



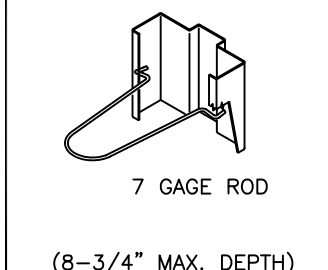
⑦ CLOSER REINFORCEMENT (OPTIONAL)



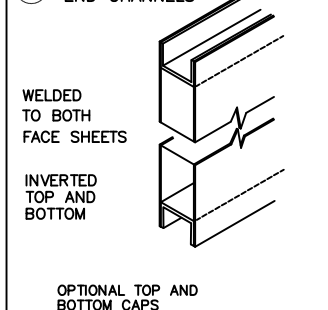
③ DOOR CONSTRUCTION



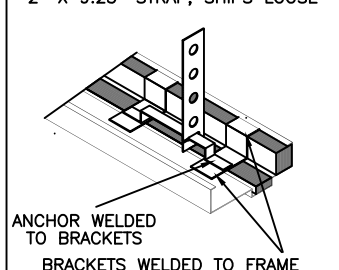
⑥ WMA WIRE MASONRY ANCHOR



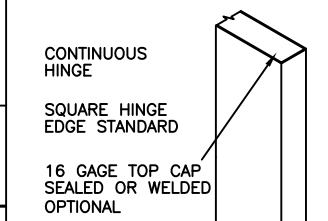
④ 12 GAGE STEEL END CHANNELS



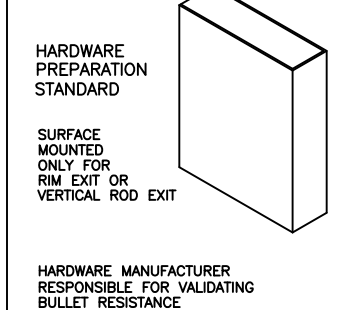
⑧ YOKE & STRAP ANCHOR



⑤ HINGE PREPARATION



⑨ LOCK EDGE (BEVELED)



NOTE: ANCHORS MAY VARY IN APPEARANCE BASED ON PLACEMENT OF THE ARMOR.