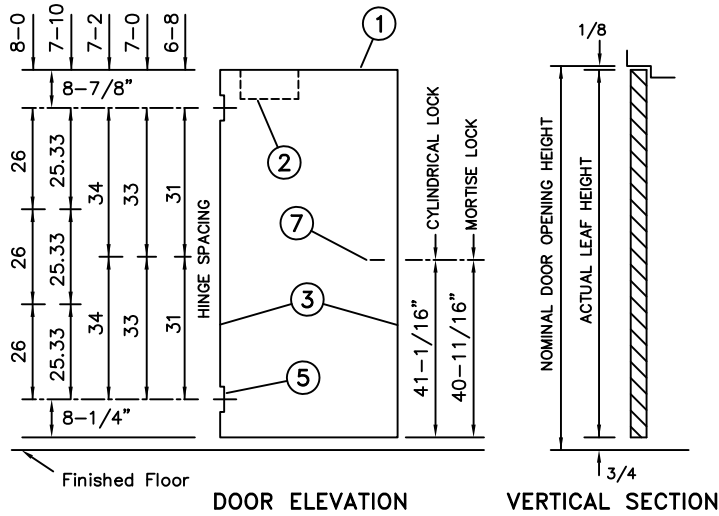
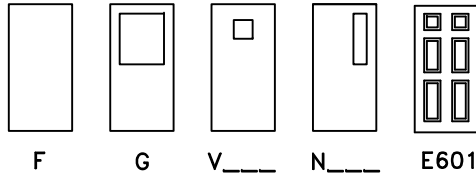


DOOR DESIGNS



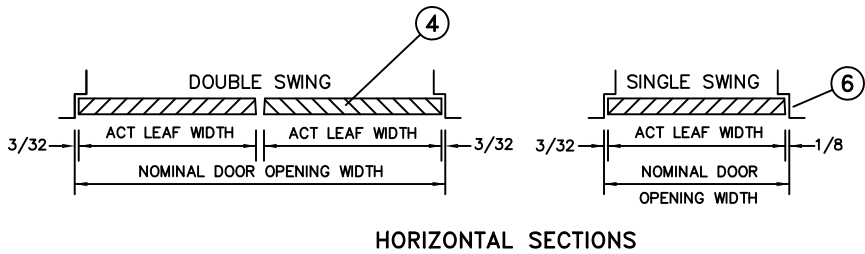
FIRE DOORS:
 TEST: UL10b, UL10c & UL1784

LABELING AGENCIES:
 UNDERWRITERS LABORATORY, INC.
 WARNOCK HERSEY INTL.
 FACTORY MUTUAL SYSTEM

RATING: 20 MIN THRU 3 HR
MAX. SIZE: 40 x 90 SINGLE
 80 x 90 PAIR

DESIGNS: F, G, N, V & E601

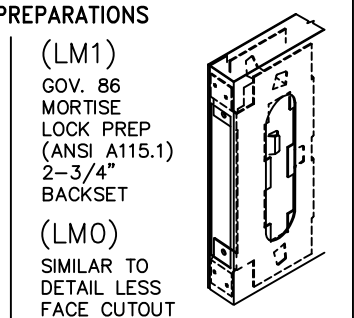
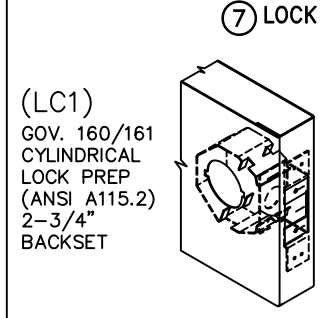
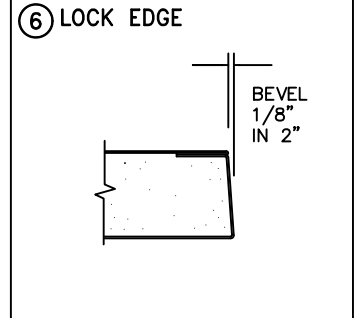
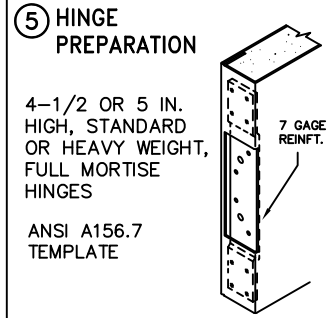
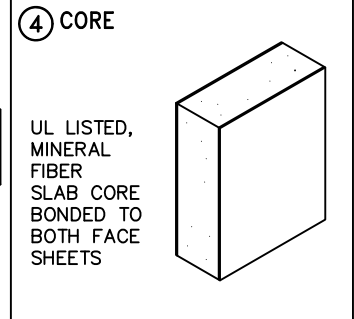
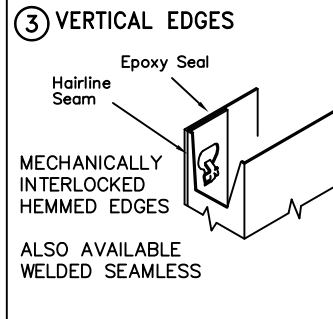
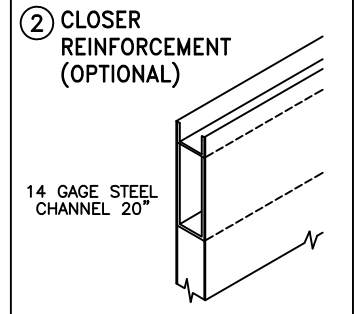
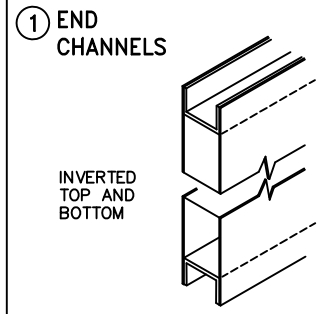
MAXIMUM TEMPERATURE RISE:
 F&V - 30 MIN 250 DEG FAR
 E601 - 30 MIN 450 DEG FAR



1-3/4" FUEGO (FT) LISTED FIRE DOOR
FULL FLUSH, SOLID CORE CONSTRUCTION

(Conversion: 1" = 25.4 mm, e.g., 1-3/4" = 44.45 mm)

C.R.S. steel is standard
 Galvanized steel is optional



DRAWN BY _____ DATE _____
 CHK'D BY _____ DATE _____

SHT _____ CONTRACT NO. _____
 OF _____

ISSUE DATE _____ REVISIONS _____ BY _____

FOR HAND & SWING
 SEE DOOR SCHEDULE

NOTE: FOR GLAZING TRIM OR ASTRAGALS REQUIRED, SEE DOOR SCHEDULE & ACCESSORY SHEET

SOUND TRANSMISSION

PHYSICAL ENDURANCE TEST DATA

STC = 32

MEETS OR EXCEEDS ANSI A250.4 PERFORMANCE TEST;
 20 gage steel (500,000 cycles); 18 & 16 gage steel (1,000,000 cycles).