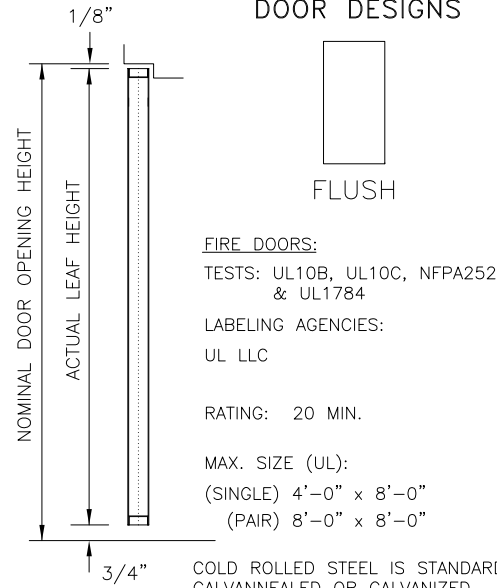
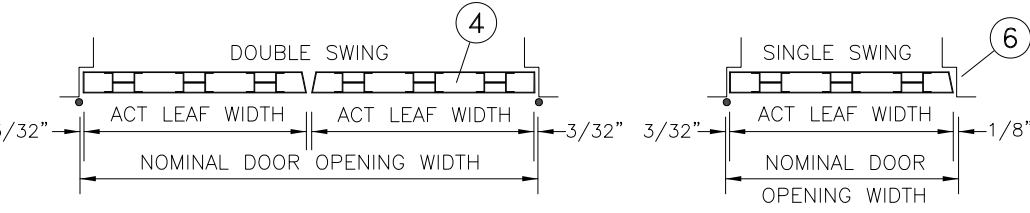


DOOR ELEVATION

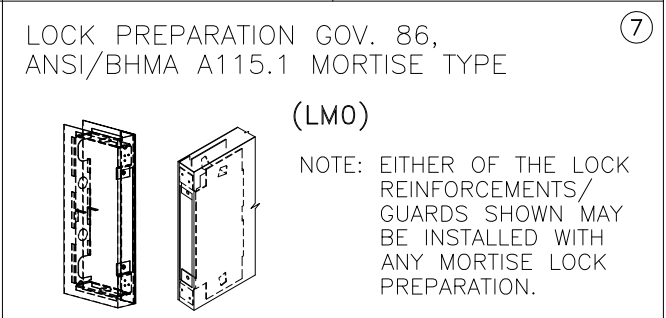
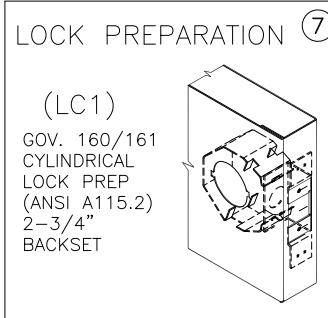
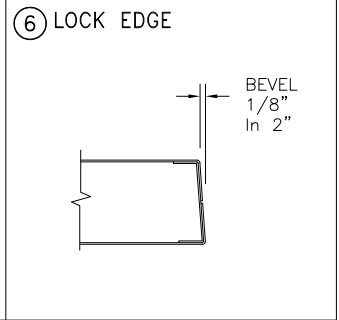
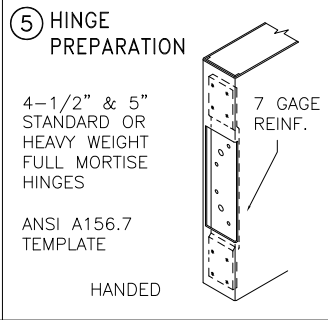
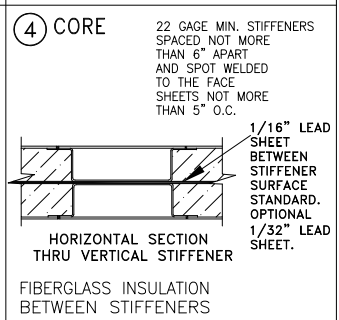
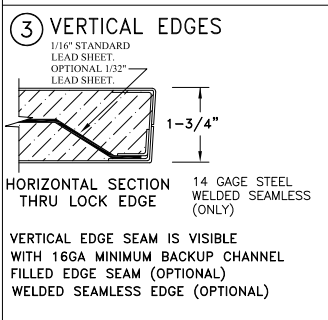
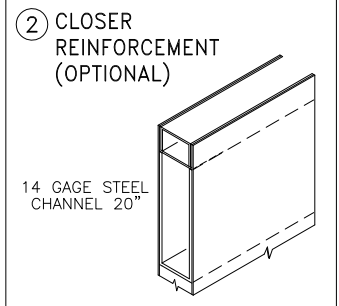
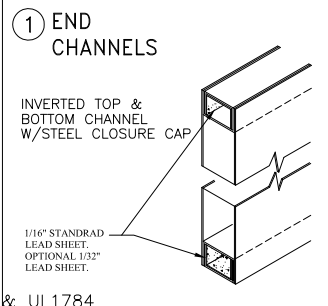


VERTICAL SECTION



HORIZONTAL SECTIONS

1-3/4" MEDALLION LEAD LINED
FULL FLUSH DOOR
CENTER SEAM VERTICALLY STEEL STIFFENED,
HANDED



(Conversion: 1" = 25.4 mm, e.g., 1-3/4" = 44.45 mm)

ASSA ABLOY

DRAWN BY _____	DATE _____	ISSUE DATE	REVISIONS	BY
CHK'D BY _____	DATE _____			
SHT _____	CONTRACT NO. _____			

FOR HAND & SWING	PHYSICAL ENDURANCE TEST DATA
SEE DOOR SCHEDULE	
NOTE: FOR GLAZING TRIM, LOUVERS OR ASTRAGALS REQUIRED, SEE DOOR SCHEDULE & ACCESSORY SHEET	

SOUND TRANSMISSION	SOUND TRANSMISSION CLASS (STC): 43 F DESIGN, 18 GAGE FACE SHEETS ASTM E90 & E413 (FULLY OPERABLE)
	MEETS OR EXCEEDS ANSI A250.4 PERFORMANCE TEST: 18, 16, 14 & 12 gage steel - 1,000,000 cycles

Experience a safer and more open world