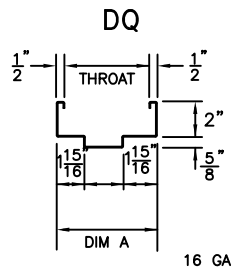
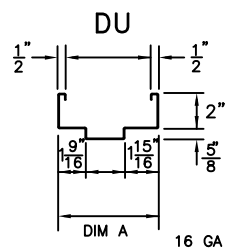


PROFILES



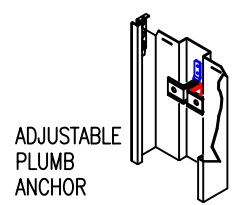
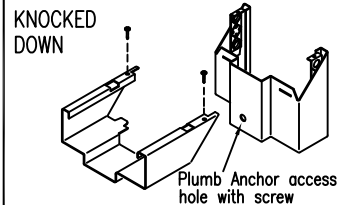
TYPICAL SECTIONS

SERIES DQ & DU

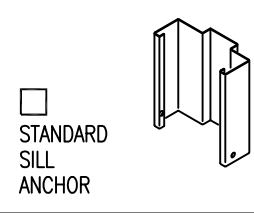
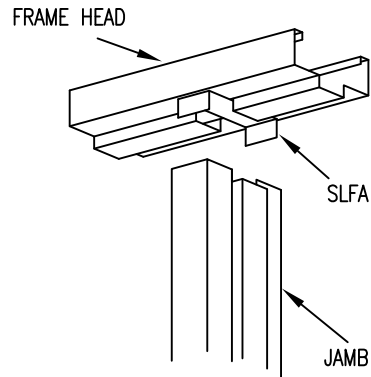
Dim A	DU SERIES 4-1/2" to 8-3/4"
	DQ SERIES 4-7/8" to 8-3/4"

C.R.S. steel is standard.
Galvanized steel is optional.

NON-FIRE RATING ONLY

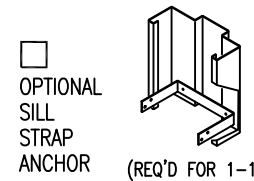


ONE EACH JAMB
Adjust with screw driver



STANDARD SILL ANCHOR

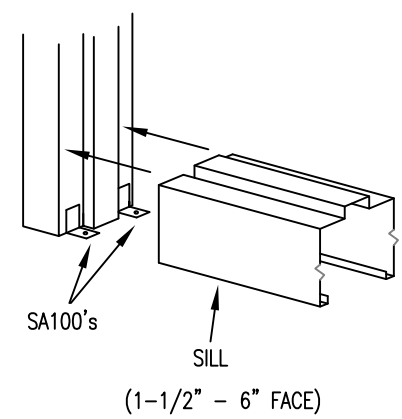
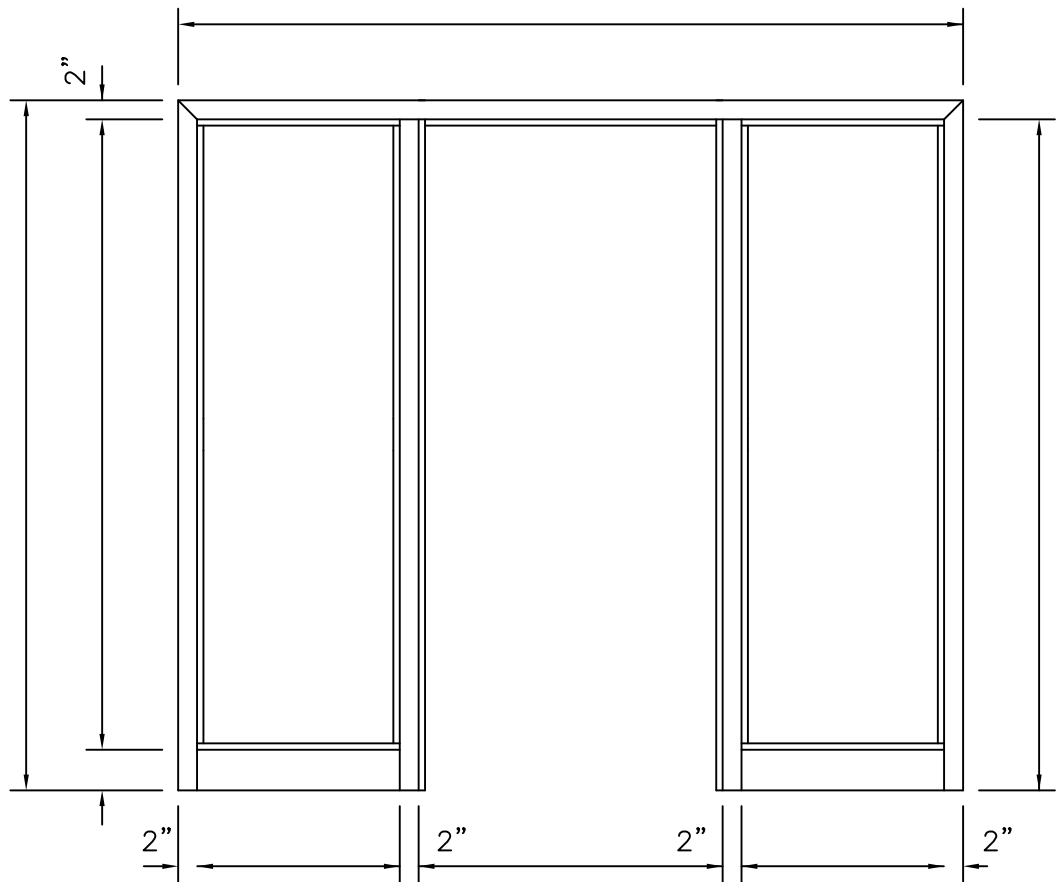
DIMPLED HOLE FOR # 8 FH FASTENER. FASTENER IS BY CONTRACTOR AND SHOULD BE LONG ENOUGH TO ENGAGE STUD.



OPTIONAL SILL STRAP ANCHOR

FASTENER IS BY CONTRACTOR AND SHOULD ENGAGE STUD.

(REQ'D FOR 1-1/2" & 1-3/4"FACE)



ELEVATION _____

QTY _____

SERIES/DEPTH _____

CORNER CONDITION KD

HAND _____

BEAD SIDE DOOR OPPOSITE DOOR

POCKET DEPTH _____

STRIKE _____

LOCN. _____

HINGES _____

LOCN. _____

ANCHORS _____

MARK# _____

CecoDoor (Conversion: 1" = 25.4 mm, e.g., 1-3/4" = 44.45 mm)

ASSA ABLOY

SHT _____ OF _____	CONTRACT NO. _____	DRAWN BY _____ DATE _____	CHK'D BY _____ DATE _____
--------------------	--------------------	---------------------------	---------------------------

SERIES DQ & DU DRYWALL FRAMES
(SLIP-ON DRYWALL SIDELITE FRAME)

FOR HAND & SWING
SEE DOOR SCHEDULE



Experience a safer and more open world