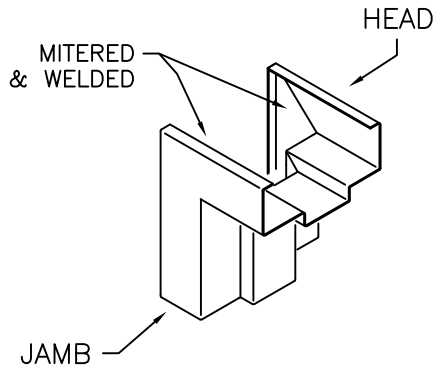
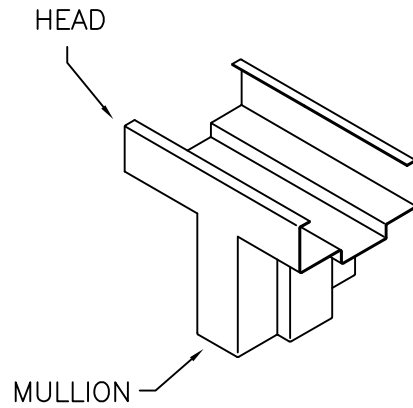


EXCEPT WHERE SHOWN MITERED, COMPONENTS ARE NOTCHED OR COPED AS NECESSARY, FITTED TOGETHER AND WELDED. WELDED AREAS ARE GROUND SMOOTH AND SPOT PAINTED.

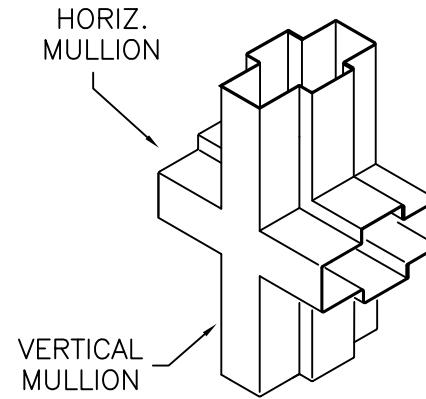
For construction illustrations see page(s): _____.



9-201

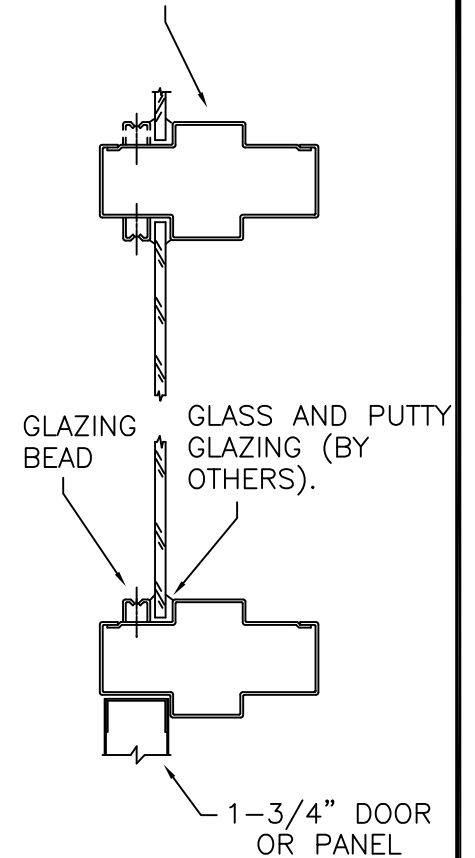


9-204

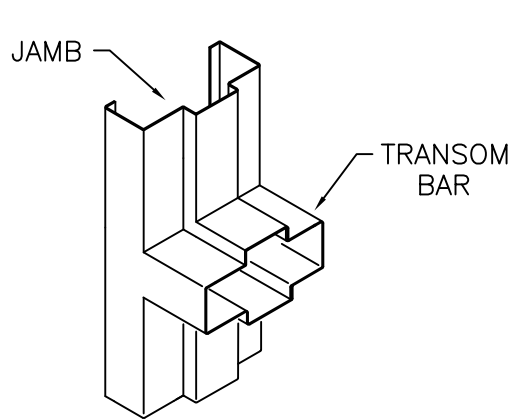


9-204

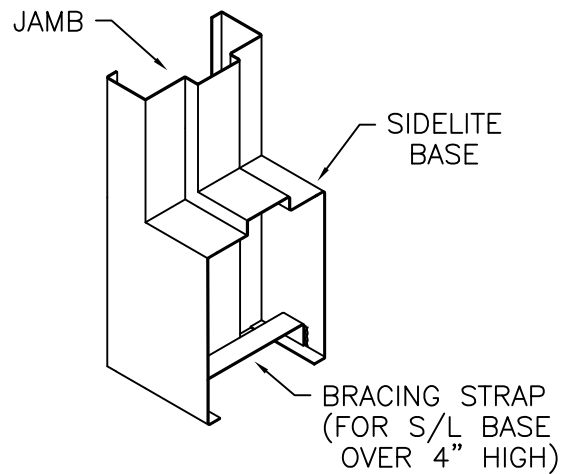
OPEN OR CLOSED FRAME SECTIONS



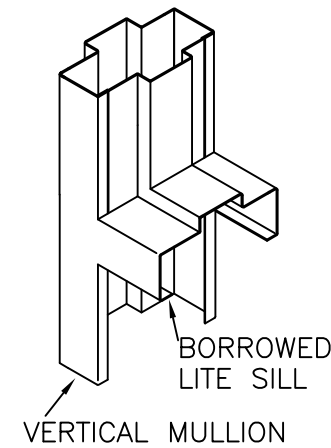
9-214
TYPICAL GLAZING
DETAILS



9-203



9-307



9-205

CecoDoor (Conversion: 1" = 25.4 mm, e.g., 1-3/4" = 44.45 mm)

ASSA ABLOY

SHT _____	CONTRACT NO. _____	DRAWN BY _____	DATE _____
OF _____		CHK'D BY _____	DATE _____

FRAME INTERSECTIONS