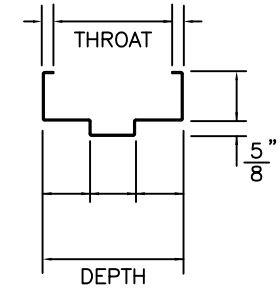
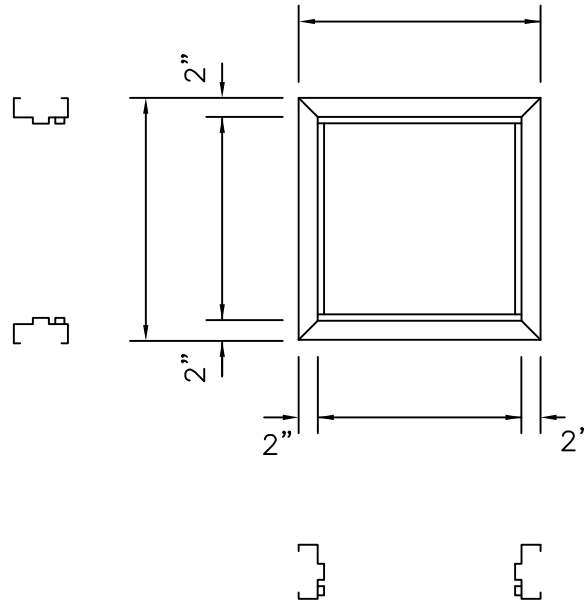


For construction illustrations
see page(s): _____.

**ALL INTERSECTIONS ARE
FACE WELDED AND GROUND
SMOOTH.**



TYPICAL SECTION

BEAD NOTES	
.625 _____	.750 _____
POCKET DEPTH _____	
DOOR SIDE _____	
OPPOSITE DOOR _____	
FRAME INFORMATION	
DEPTH _____	
REQ'D _____	
MK# _____	
STRIKE _____	
LOCATION _____	
HINGES _____	
LOCATION _____	
LABEL _____	
ANCHORS _____	
ELEV # _____	

CecoDoor (Conversion: 1" = 25.4 mm, e.g., 1-3/4" = 44.45 mm)

ASSA ABLOY

TYPE: BL MARK: _____
REQUIRED: _____

SHT _____ OF _____	CONTRACT NO. _____	DRAWN BY _____ DATE _____ CHK'D BY _____ DATE _____
-----------------------	--------------------	--