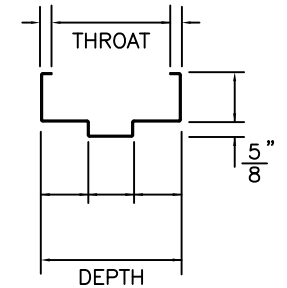
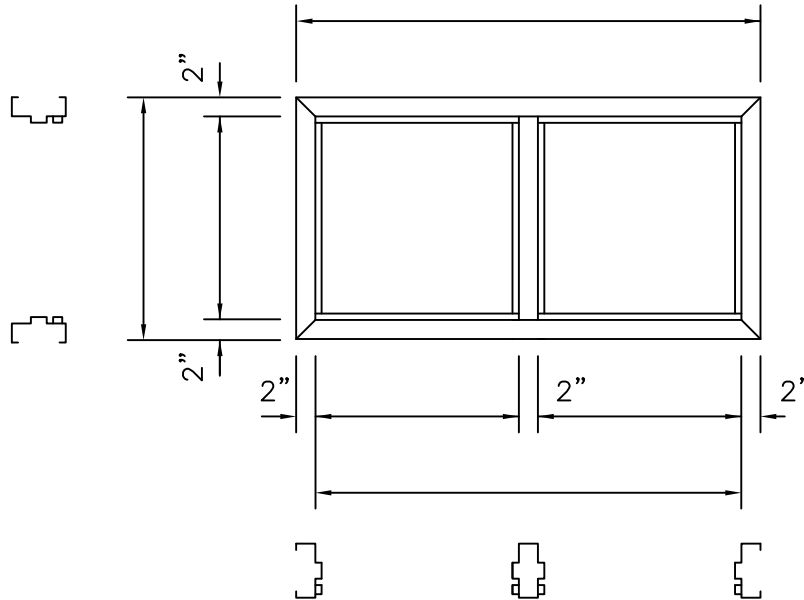


For construction illustrations
see page(s): _____.

ALL INTERSECTIONS ARE
FACE WELDED AND GROUND
SMOOTH.



TYPICAL SECTION

BEAD NOTES	
.625	.750
POCKET DEPTH	_____
DOOR SIDE	_____
OPPOSITE DOOR	_____
FRAME INFORMATION	
DEPTH	_____
REQ'D	_____
MK#	_____
STRIKE	_____
LOCATION	_____
HINGES	_____
LOCATION	_____
LABEL	_____
ANCHORS	_____
ELEV #	_____

CecoDoor (Conversion: 1" = 25.4 mm, e.g., 1-3/4" = 44.45 mm)

ASSA ABLOY

SHT _____ OF _____	CONTRACT NO. _____	DRAWN BY _____ DATE _____	CHK'D BY _____ DATE _____
-----------------------	--------------------	---------------------------	---------------------------

TYPE: 2BL MARK: _____
REQUIRED: _____
HAND/SWING: _____